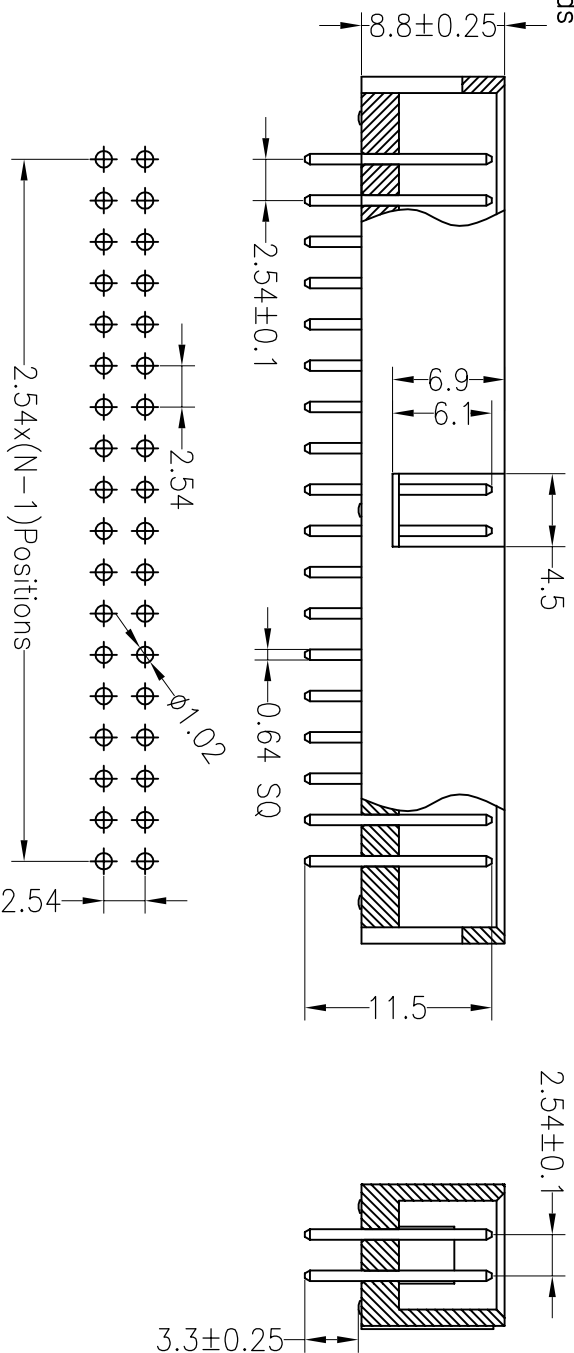
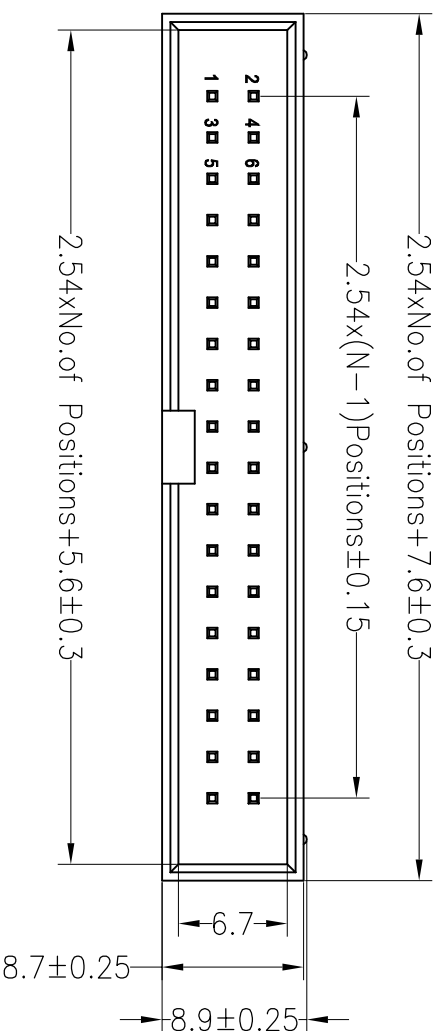


RoHS

SPECIFICATIONS

Rated Current:3.0AMP
 Contact Resistance:20mΩ Max
 Withstand Voltage:1000V AC/DC
 Insulation Resistance:1000MΩ Min
 Operation Temperature:-40°c to +105°c

Contact Material:Brass
 Contact Plating:Au Over Ni
 Insulator Material:Polyester(UL94V-0)
 Standard: PBT
 Max.Processing Temp: 180°C for 30-60 seconds
 (200°C for 10 seconds)



Recommended P.C.B Layout(Top Side)
 (PCB BOARD TOLERANCE±0.05)

深圳市连盛精密连接器有限公司

| REV | DATE | MODIFICATION DESCRIPTION | CHANGE | OPERATION | | DRAW | | SCALE | | FIT | PART NO. | TITLE: |
|-----|------------|--------------------------|--------|-----------|-------|---------|------|-------|------|-----|----------|-----------------------------|
| | | | | X.X | ±0.30 | CHECK | UNIT | mm | SIZE | | | |
| A0 | 2012.03.28 | NEW DRAWING | | X.XX | ±0.20 | | | A4 | 1/1 | | BH-00169 | 2.54Box 32P H8.8mm 180° PBT |
| 1 | | | | Angle | ±3° | APPROVE | | | | | | |
| | | | | DIM | TOL | | | | | | | |

1 2 3 4 5 6 7 8 9