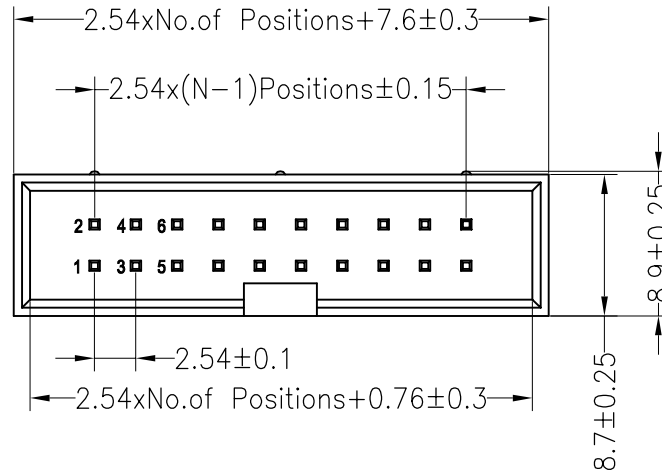


RoHS

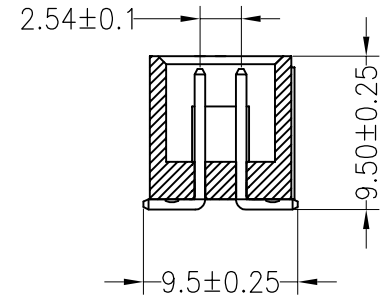
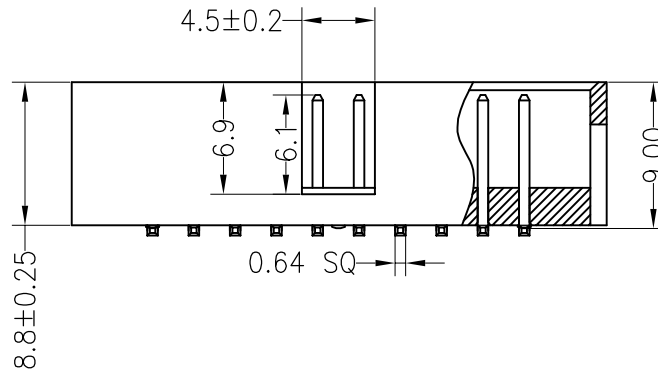
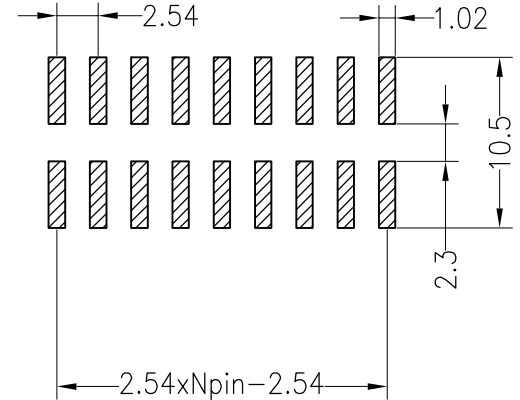
SPECIFICATIONS

Rated Current:3.0AMP
 Contact Resistance:20mΩ Max
 Withstand Voltage:1000V AC/DC
 Insulation Resistance:1000MΩ Min
 Operation Temperature:-40°C to +105°C

Contact Material:Brass
 Contact Plating:Au Over Ni
 Insulator Material:Polyester(UL94V-0)
 Standard: PA6T
 Max.Processing Temp: 230°C for 30-60 seconds
 (260°C for 10 seconds)



Recommended P.C.B Layout(Top Side)
 (PCB BOARD TOLERANCE ± 0.05)



				OPERATION		DRAW		SCALE	FIT	深圳市连盛精密连接器有限公司		
				X.X	± 0.30			UNIT	mm			
				X.XX	± 0.20	CHECK		SIZE	A4	PART NO.		BH-00143
				X.XXX	± 0.10			SHEET	1/1	TITLE:		2.54mmBXO 32P H8.8mm SMT
				Angle	$\pm 3'$	APPROVE		PROJ.	ϕ			
				DIM	TOL							
1	2	3	4	5	6	7	8	9				
REV	DATE	MODIFICATION DESCRIPTION		CHANGE								
A0	2012.03.28	NEW DRAWING										