

# RoHS

## SPECIFICATIONS

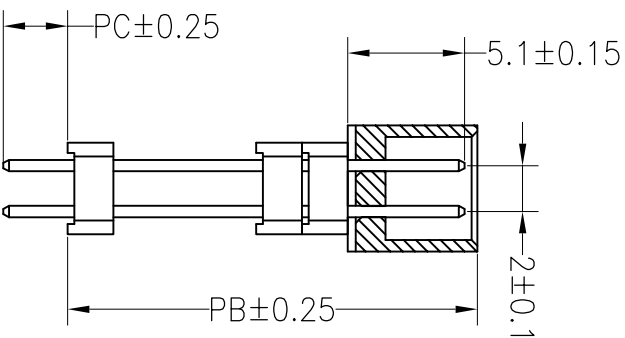
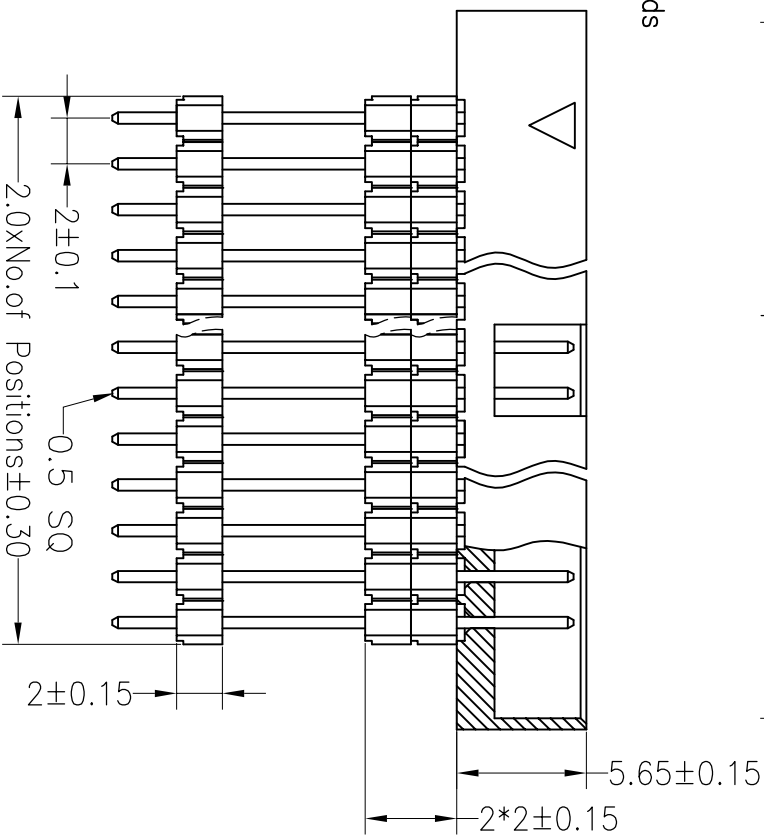
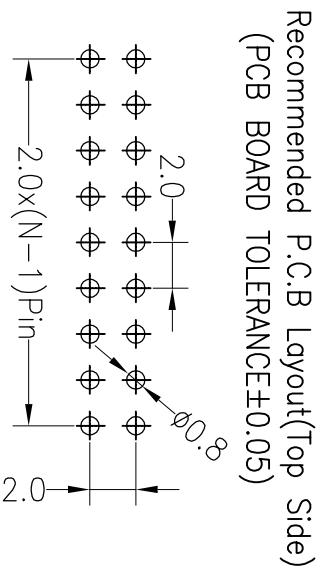
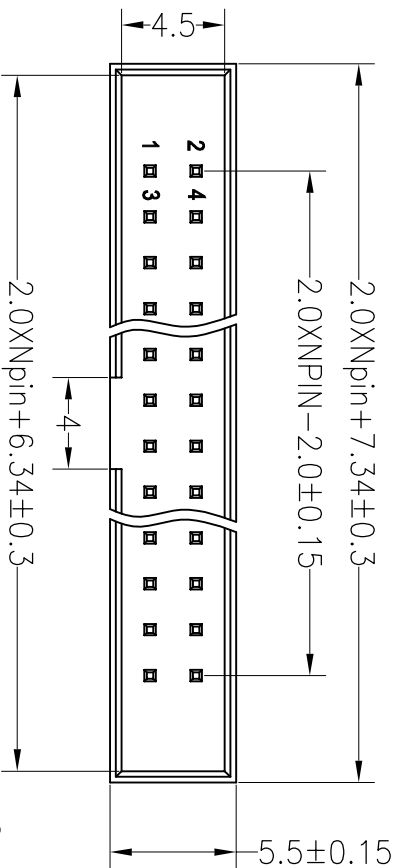
Rated Current:1.5AMP  
 Contact Resistance:20mΩ Max  
 Withstand Voltage:400V AC/DC  
 Insulation Resistance:800MΩ Min  
 Operation Temperature:-40°c to +105°c

Contact Material:Brass  
 Contact Plating:Au Over Ni

Insulator Material:Polyester(UL94V-0)

Standard: PA6T

Max.Processing Temp: 230°C for 30-60 seconds  
 (260°C for 10 seconds)



Dimension antitheses list		
ITEM	PB	PC
Alternate	21.25	2.80

深圳市连盛精密连接器有限公司

PART NO.

**BH-00112---B0023**

TITLE:

2.0Box 4H=5.65+3X2.0 30P DIP  
 PB21.25 PC2.8

OPERATION		DRAW		SCALE		FIT	
X.X	±0.30	X.X	±0.30	UNIT	mm	UNIT	mm
X.XX	±0.20	CHECK	CHECK	SIZE	A4	SHEET	1/1
X.XXX	±0.10	APPROVE	APPROVE	SHEET	1/1	PROJ.	
Angle	±3°						
DIM	TOL						

REV	DATE	MODIFICATION DESCRIPTION	CHANGE
A0	2012.03.28	NEW DRAWING	
1			