

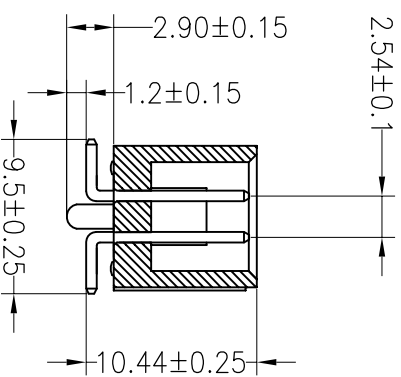
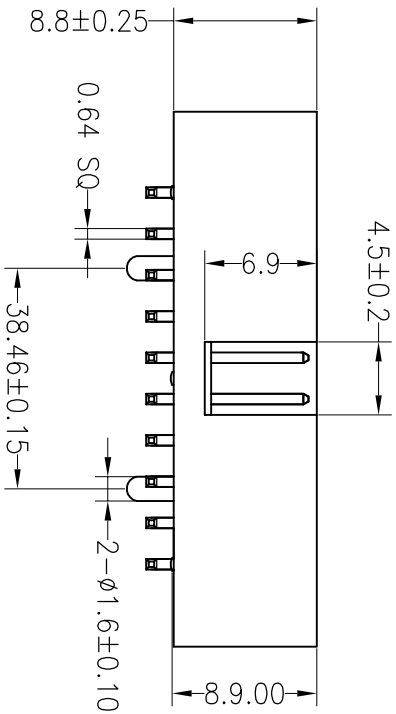
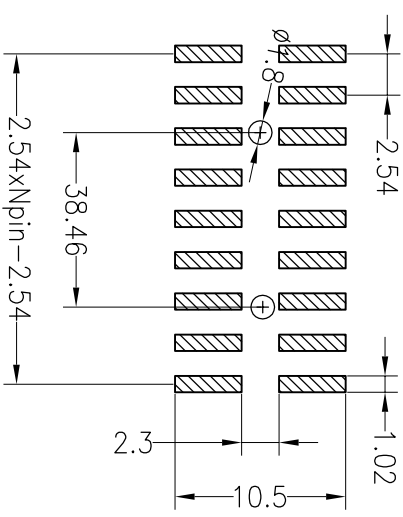
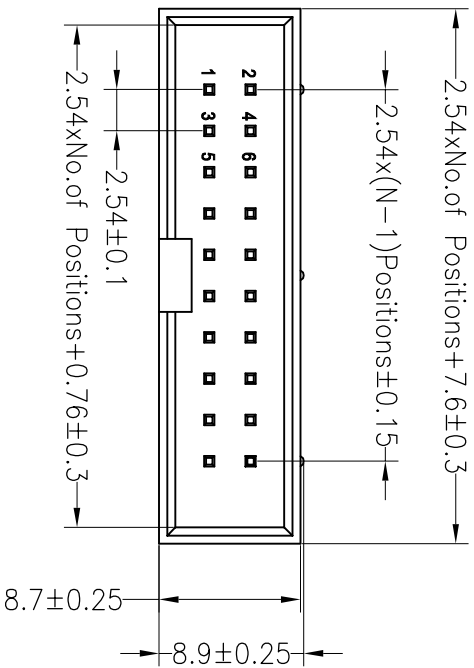
RoHS

SPECIFICATIONS

Rated Current: 3.0AMP
 Contact Resistance: 20mΩ Max
 Withstand Voltage: 1000V AC/DC
 Insulation Resistance: 1000MΩ Min
 Operation Temperature: -40°C to +105°C

Contact Material: Brass
 Contact Plating: Au Over Ni
 Insulator Material: Polyester (UL94V-0)
 Standard: PA6T
 Max. Processing Temp: 230°C for 30-60 seconds
 (260°C for 10 seconds)

Recommended P.C.B Layout (Top Side)
 (PCB BOARD TOLERANCE ±0.05)



深圳市连盛精密连接器有限公司

PART NO. BH-00105---A0001

TITLE: 2.54Box H8.8mm 40P SMT 带偏柱 直径 1.6 高2.9 两柱之间38.46

OPERATION		DRAW		SCALE		FIT	
X.X	±0.30			UNIT	mm		
A1	2017.12.19	NEW DRAWING	CHECK	SIZE	A4		
A0	2012.03.28	NEW DRAWING		SHEET	1/1		
REV	DATE	MODIFICATION DESCRIPTION	CHANGE	DIM	TOL	APPROVE	PROJ.
1							