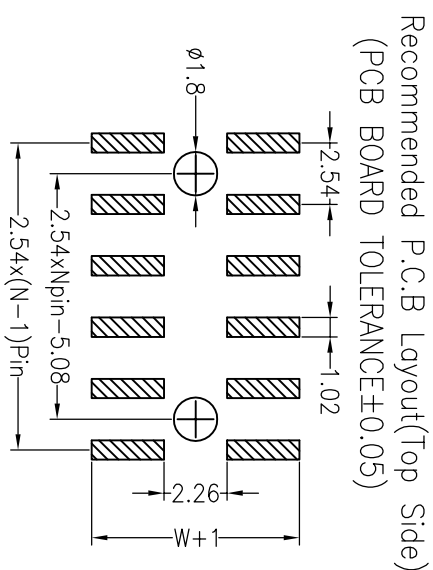
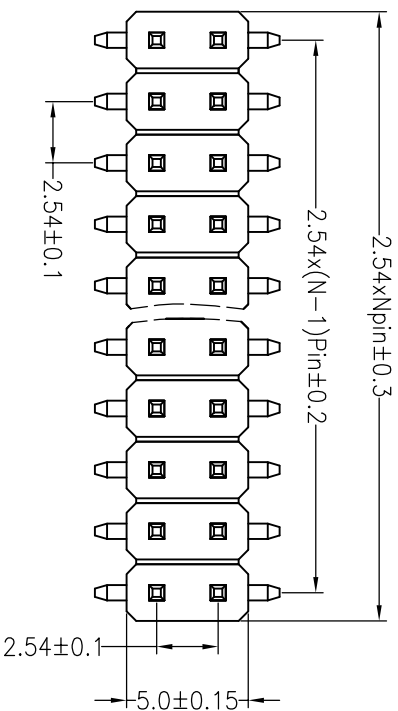


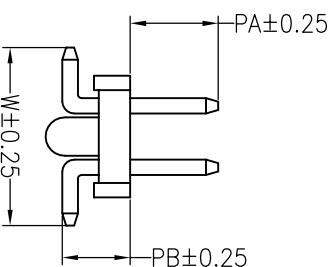
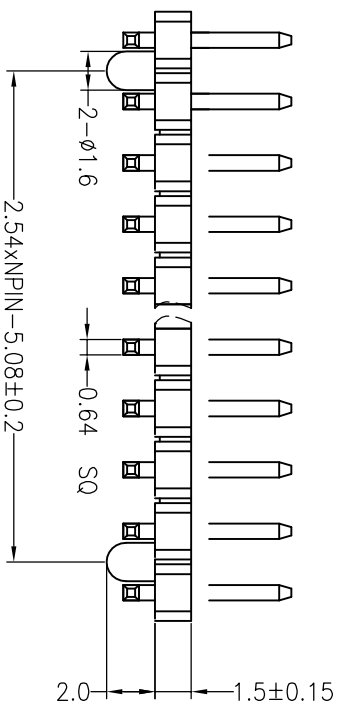
RoHS

SPECIFICATIONS

Rated Current: 3.0AMP
 Contact Resistance: 20mΩ Max
 Withstand Voltage: 1000V AC/DC
 Insulation Resistance: 1000MΩ Min
 Operation Temperature: -40°C to +105°C
 Contact Material: Brass
 Contact Plating: Au or Sn Over Ni
 Insulator Material: Polyester (UL94V-0)
 Standard: PAGT
 Max. Processing Temp: 230°C for 30-60 seconds
 (260°C for 5 seconds)



Recommended P.C.B Layout (Top Side)
 (PCB BOARD TOLERANCE ± 0.05)



W = With Post

Dimension antitheses list			
ITEM	PA	PB	W
Standard	3.00	2.54	8.00
Alternate			

深圳市连盛精密连接器有限公司

OPERATION		DRAW		SCALE		FIT	
X.X	±0.30			UNIT	mm		
X.XX	±0.20	CHECK		SIZE	A4		
X.XXX	±0.10			SHEET	1/1		
Angle	±3°	APPROVE		PROJ.			
DIM	TOL						

REV	DATE	MODIFICATION DESCRIPTION	CHANGE
A0	2012.04.11	NEW DRAWING	
1			

PART NO.	PH-00695---A0001
TITLE:	2.54PH 2x20pin H1.5mm SMT