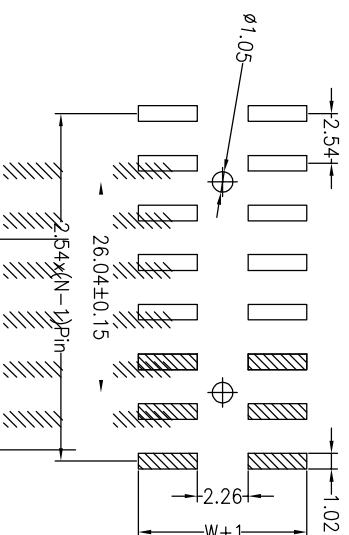
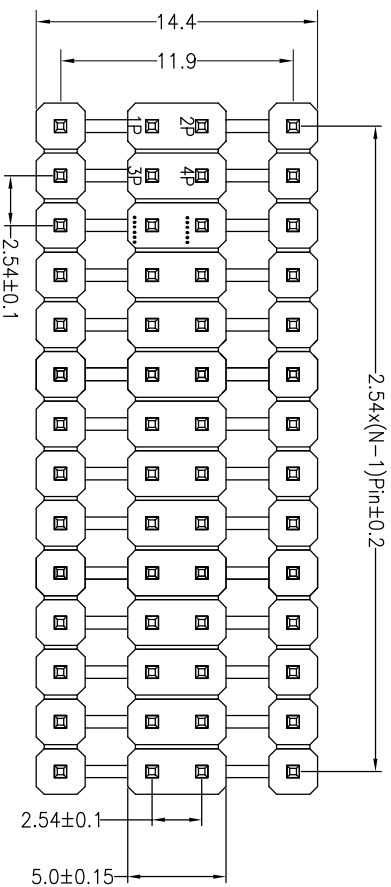


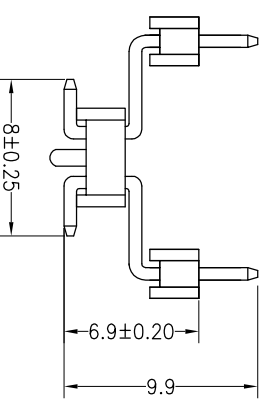
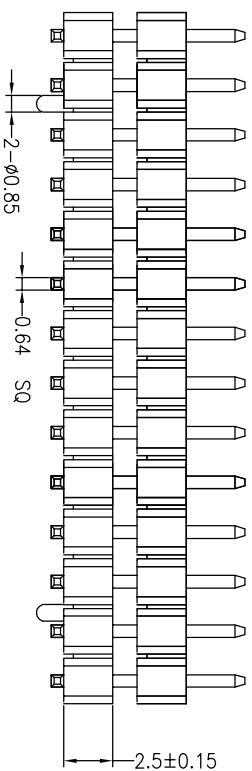
RoHS

SPECIFICATIONS

Rated Current: 3.0AMP
 Contact Resistance: 20mΩ Max
 Withstand Voltage: 1000V AC/DC
 Insulation Resistance: 1000MΩ Min
 Operation Temperature: -40°C to +105°C
 Contact Material: Brass
 Contact Plating: Au Over Ni
 Insulator Material: Polyester (UL94V-0)
 Standard: PA6T
 Max. Processing Temp: 230°C for 30-60 seconds
 (260°C for 5 seconds)



Recommended P.C.B Layout (Top Side)
 (PCB BOARD TOLERANCE ± 0.05)



深圳市连盛精密连接器有限公司

PART NO. PH-00606 --- A0001

TITLE: 2.54PH 2x14pin H2.5mm SMT

		OPERATION		DRAW		SCALE		FIT	
		X.X	±0.30			UNIT	mm		
		X.XX	±0.20	CHECK		SIZE	A4		
		X.XXX	±0.10			SHEET	1/1		
		Angle	±3°	APPROVE		PROJ.	☐		
		DIM	TOL						
A0		2012.04.11		NEW DRAWING					
REV		DATE		MODIFICATION DESCRIPTION		CHANGE			
1									
2									
3									
4									
5									
6									
7									
8									
9									