

ROHS

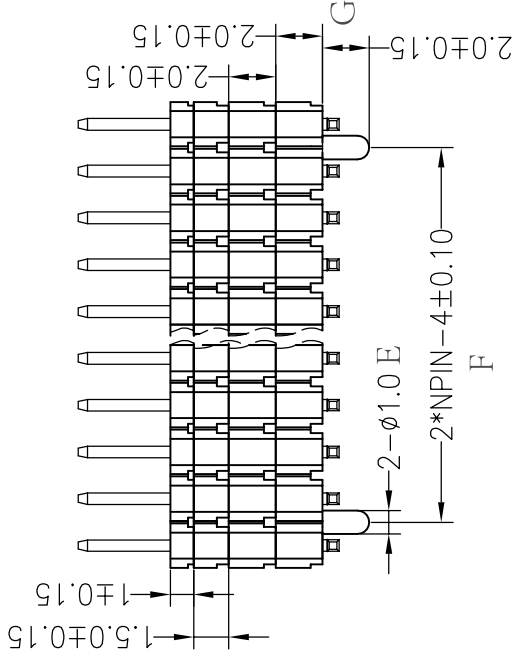
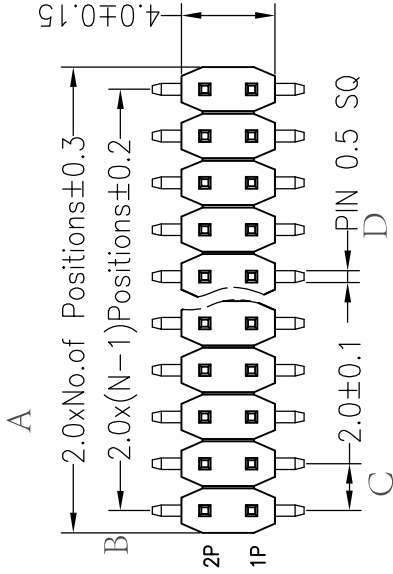
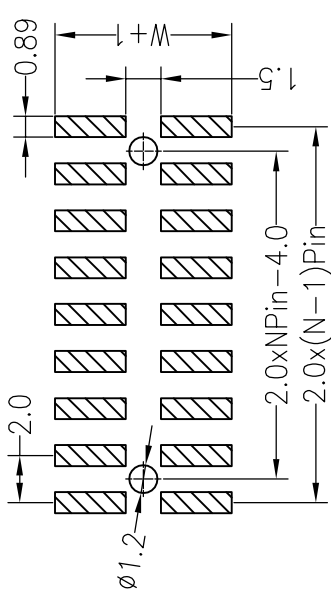
SPECIFICATIONS

Rated Current:1.5AMP  
Contact Resistance:20mΩ Max  
Withstand Voltage:500V AC/DC  
Insulation Resistance:1000MΩ Min  
Operation Temperature:-40°c to +105°c

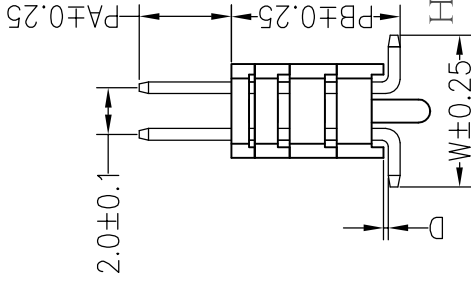
Contact Material:Brass  
Contact Plating:Au or Sn Over Ni  
Insulator Material:Polyester(UL94V-0)  
Standard: PA6T

Max.Processing Temp: 230°C for 30-60 seconds  
(260°C for 5 seconds)

Recommended P.C.B Layout(Top Side)  
(PCB BOARD TOLERANCE±0.05)



总高10.5mm



W= With Post

Dimension antitheses list

ITEM	PA	D	PB	W	L
Standard					
Alternate	3.50	0.00	7.00	7.30	12.60

深圳市连盛精密连接器有限公司

PART NO. PH-00564---A0001

TITLE: 2.0PH 4H=2X2.0+1.0+1.5 2X40P SMT=7.3 PA3.5 PB7.0 L=12.6 AU0.8U PA6T 带柱 直径1.0 高2.0

REV	DATE	MODIFICATION DESCRIPTION	CHANGE	OPERATION		DRAW	YiYuSheng	SCALE	FIT
				X.X	±0.30				
A0	2012.04.11	NEW DRAWING		X.XX	±0.20	CHECK		12.04.11	mm
				X.XXX	±0.10				A4
				Angle	±3°	APPROVE			1/1
				DIM	TOL				PROJ.