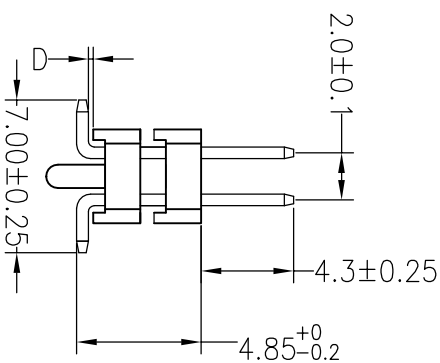
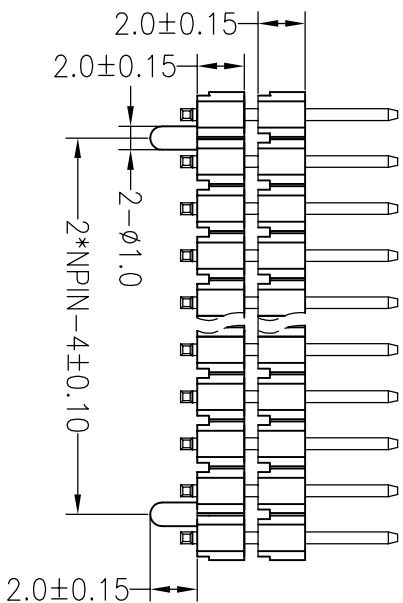
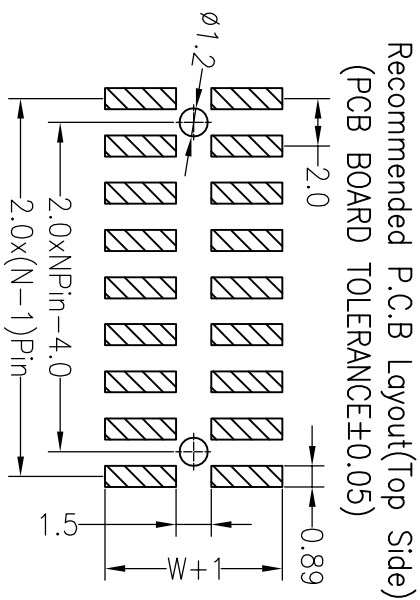
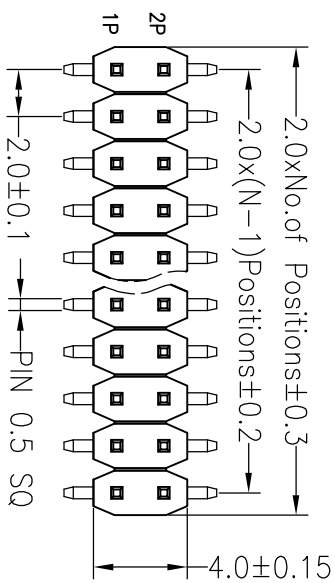


# RoHS

## SPECIFICATIONS

Rated Current:1.5AMP  
 Contact Resistance:20mΩ Max  
 Withstand Voltage:500V AC/DC  
 Insulation Resistance:1000MΩ Min  
 Operation Temperature:-40°c to +105°c  
 Contact Material:Brass  
 Contact Plating:Au Over Ni  
 Insulator Material:Polyester(UL94V-0)  
 Standard: PA6T  
 Max.Processing Temp: 230°C for 30-60 seconds  
 (260°C for 5 seconds)



Dimension antitheses list					
ITEM	PA	D	PB	W	L
Standard					
Alternate	4.30	0	4.85	7.00	11.00

深圳市连盛精密连接器有限公司

PART NO. PH-00371 ---A0001

TITLE: 2.0PH 2x10pin 双翘 SMT 带柱

OPERATION		DRAW		SCALE		FIT	
X.X	±0.30			UNIT	mm		
X.XX	±0.20	CHECK		SIZE	A4		
X.XXX	±0.10			SHEET	1/1		
Angle	±3°	APPROVE		PROJ.	◆		
DIM	TOL						

REV	DATE	MODIFICATION DESCRIPTION	CHANGE
A0	2012.04.11	NEW DRAWING	
1			