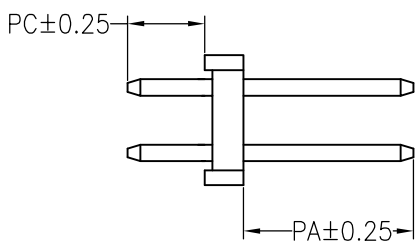
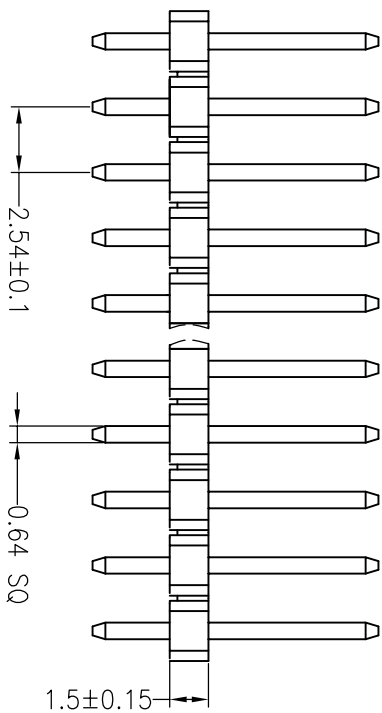
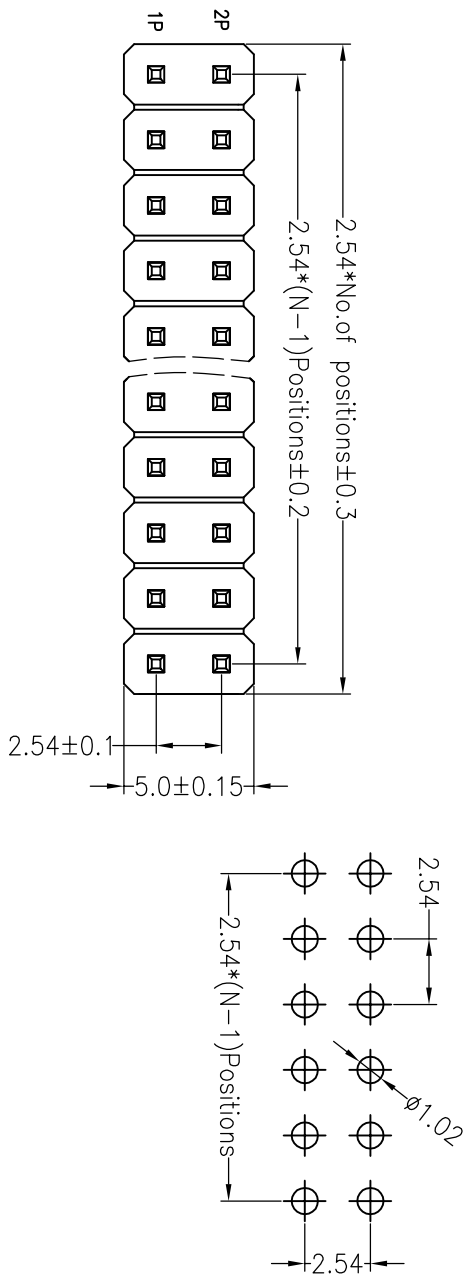


# RoHS

## SPECIFICATIONS

Rated Current:3.0AMP  
 Contact Resistance:20mΩ Max  
 Withstand Voltage:1000V AC/DC  
 Insulation Resistance:1000MΩ Min  
 Operation Temperature:-40°c to +105°c  
 Contact Material:Brass  
 Contact Plating:Au3U Over Ni  
 Insulator Material:Polyester(UL94V-0)  
 Standard: PA6T  
 Max.Processing Temp: 230°C for 30-60 seconds  
 (260°C for 10 seconds)

Recommended P.C.B Layout(Top Side)  
 (PCB BOARD TOLERANCE±0.05)



Dimension antitheses list				
ITEM	PA	PC	L	
Alternate	6.50	3.00	11.00	

深圳市连盛精密连接器有限公司

OPERATION		DRAW		SCALE		FIT		PART NO.	
X.X	±0.30			UNIT	mm				PH-00209---A0001
X.XX	±0.20	CHECK		SIZE	A4	SHEET	1/1	TITLE:	2.54PH H1.5mm 2X9P
X.XXX	±0.10	APPROVE		PROJ.					
Angle	±3°								
DIM	TOL								
OPERATION		DRAW		SCALE		FIT		PART NO.	
DRAW		CHECK		APPROVE					

REV	DATE	MODIFICATION DESCRIPTION	CHANGE
A0	2012.03.28	NEW DRAWING	
1			