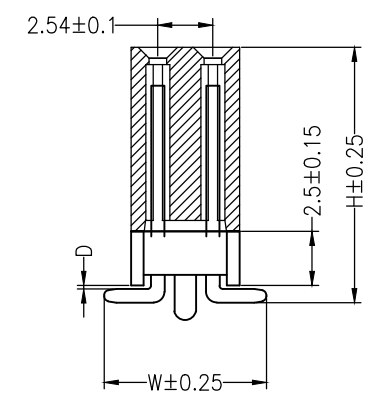
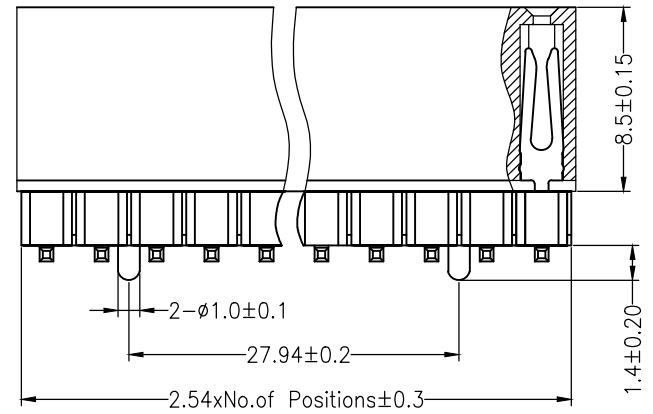
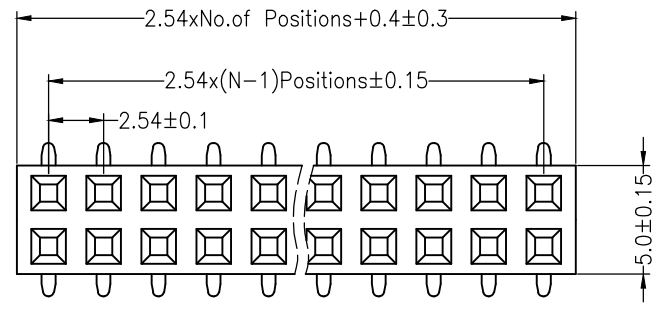


RoHS

SPECIFICATIONS

Rated Current:3.0AMP
 Contact Resistance:20mΩ Max
 Withstand Voltage:1000V AC/DC
 Insulation Resistance:1000MΩ Min
 Operation Temperature:-40°C to +105°C

Contact Material:Brass
 Contact Plating:Au Over Ni
 Insulator Material:Polyester(UL94V-0)
 Standard: PA6T
 Max.Processing Temp: 230°C for 30-60 seconds
 (260°C for 10 seconds)



Dimension antitheses list			
ITEM	H	D	W
Alternate	11.5	0.00	8.20

深圳市连盛精密连接器有限公司

REV	DATE	MODIFICATION DESCRIPTION	CHANGE	OPERATION		DRAW	SCALE	FIT
				X.X	±0.30			
A0	2012.10.08	NEW DRAWING		X.XX	±0.20	CHECK	UNIT	mm
				X.XXX	±0.10		SIZE	A4
				Angle	±3°	APPROVE	SHEET	1/1
				DIM	TOL		PROJ.	

PART NO.	FH-00564
TITLE:	2.54FH 2H=8.5+2.5 2x15P SMT W5.0mm L=12.7 带柱偏柱 柱距27.94