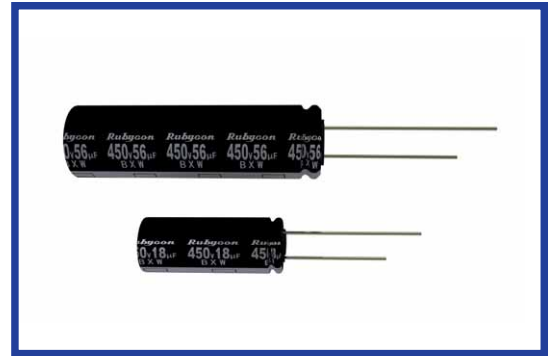


BXW SERIES
105°C Long Life (10000~12000 hours), Ultra Miniaturized

•Temperature Range : -40°C~+105°C

RoHS compliance


◆SPECIFICATIONS

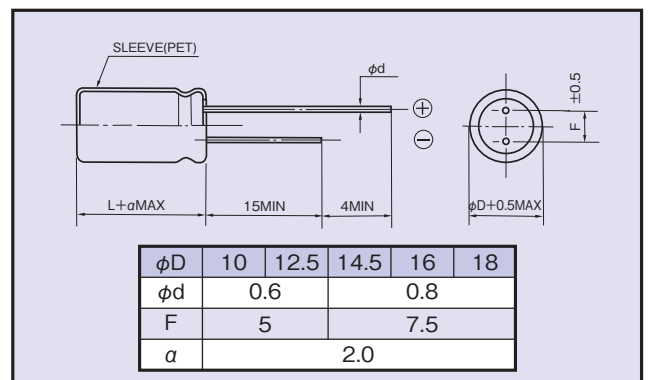
Items	Characteristics															
Category Temperature Range	-40~+105°C															
Rated Voltage Range	160~450Vdc															
Capacitance Tolerance	±20% (20°C, 120Hz)															
Leakage Current(MAX)	$I=3\sqrt{CV}$ (After 5 minutes application of rated voltage) I=Leakage Current(µA) C=Capacitance(µF) V=Rated Voltage(Vdc)															
Dissipation Factor(MAX) (tanδ)	<table border="1"> <tr> <td>Rated Voltage (Vdc)</td> <td>160~400</td> <td>420, 450</td> <td>(20°C, 120Hz)</td> </tr> <tr> <td>tanδ</td> <td>0.20</td> <td>0.25</td> <td></td> </tr> </table>	Rated Voltage (Vdc)	160~400	420, 450	(20°C, 120Hz)	tanδ	0.20	0.25								
Rated Voltage (Vdc)	160~400	420, 450	(20°C, 120Hz)													
tanδ	0.20	0.25														
Endurance	After applying rated voltage with rated ripple current for specified time at 105°C, the capacitors shall meet the following requirements. <table border="1"> <tr> <td>Capacitance Change</td> <td>Within ±20% of the initial value.</td> <td>Case Size</td> <td>Life Time (hrs)</td> </tr> <tr> <td>Dissipation Factor</td> <td>Not more than 200% of the specified value.</td> <td>L ≤ 20</td> <td>10000</td> </tr> <tr> <td>Leakage Current</td> <td>Not more than the specified value.</td> <td>L ≥ 25</td> <td>12000</td> </tr> </table>	Capacitance Change	Within ±20% of the initial value.	Case Size	Life Time (hrs)	Dissipation Factor	Not more than 200% of the specified value.	L ≤ 20	10000	Leakage Current	Not more than the specified value.	L ≥ 25	12000			
Capacitance Change	Within ±20% of the initial value.	Case Size	Life Time (hrs)													
Dissipation Factor	Not more than 200% of the specified value.	L ≤ 20	10000													
Leakage Current	Not more than the specified value.	L ≥ 25	12000													
Low Temperature Stability Impedance Ratio(MAX)	<table border="1"> <tr> <td>Rated Voltage (Vdc)</td> <td>160~250</td> <td>350, 400</td> <td>420, 450</td> <td>(120Hz)</td> </tr> <tr> <td>Z(-25°C) / Z(20°C)</td> <td>3</td> <td>5</td> <td>6</td> <td></td> </tr> <tr> <td>Z(-40°C) / Z(20°C)</td> <td>6</td> <td>6</td> <td>10</td> <td></td> </tr> </table>	Rated Voltage (Vdc)	160~250	350, 400	420, 450	(120Hz)	Z(-25°C) / Z(20°C)	3	5	6		Z(-40°C) / Z(20°C)	6	6	10	
Rated Voltage (Vdc)	160~250	350, 400	420, 450	(120Hz)												
Z(-25°C) / Z(20°C)	3	5	6													
Z(-40°C) / Z(20°C)	6	6	10													

◆MULTIPLIER FOR RIPPLE CURRENT

Frequency (Hz)	60(50)	120	500	1k	10k	100k ≤	
Coefficient	10~82µF	0.80	1.00	1.30	1.50	2.10	2.50
	100~220µF	0.80	1.00	1.30	1.50	2.00	2.25
	270~820µF	0.80	1.00	1.30	1.50	1.90	2.00

◆DIMENSIONS

(mm)


◆OPTION

Option	Code
PET Sleeve (-40~+105°C)	EFR ※

※PET Sleeve -25~+105°C(EFC) is also available, please consult our sales offices.

◆PART NUMBER

□□□	BXW	□□□	M	□□□	□□	DXL
Rated Voltage	Series	Capacitance	Capacitance Tolerance	Option	Lead Forming	Case Size

◆ STANDARD SIZE

Rated Voltage (Vdc)	Capacitance (μF)	Size φD×L (mm)	Rated Ripple Current (A r.m.s./105°C)		Rated Voltage (Vdc)	Capacitance (μF)	Size φD×L (mm)	Rated Ripple Current (A r.m.s./105°C)	
			120Hz	100kHz				120Hz	100kHz
160	47	10×16	0.260	0.650	200	330	16×40	1.430	2.860
	68	10×20	0.320	0.800		330	18×30	1.300	2.600
	82	16×16	0.540	1.350		390	14.5×50	1.480	2.960
	100	10×25	0.530	1.193		390	16×45	1.550	3.100
	100	12.5×20	0.600	1.350		390	18×35	1.430	2.860
	100	18×16	0.690	1.553		470	16×50	1.680	3.360
	120	10×30	0.620	1.395		470	18×40	1.620	3.240
	150	10×35	0.700	1.575		560	18×45	1.770	3.540
	150	12.5×25	0.730	1.643		33	10×16	0.240	0.600
	150	14.5×20	0.800	1.800		47	10×20	0.300	0.750
	180	10×40	0.800	1.800		56	10×25	0.400	1.000
	180	12.5×30	0.870	1.958		68	12.5×20	0.480	1.200
	180	16×20	0.800	1.800		82	10×30	0.500	1.250
	220	10×50	1.000	2.250		100	10×35	0.640	1.440
	220	12.5×35	1.000	2.250	100	12.5×25	0.620	1.395	
	220	14.5×25	0.890	2.003	100	14.5×20	0.600	1.350	
	220	18×20	0.990	2.228	120	10×45	0.750	1.688	
	270	12.5×40	1.120	2.240	120	12.5×30	0.740	1.665	
	270	14.5×30	1.100	2.200	120	14.5×25	0.750	1.688	
	270	16×25	1.000	2.000	120	16×20	0.680	1.530	
	330	12.5×45	1.240	2.480	150	12.5×35	0.880	1.980	
	330	14.5×35	1.220	2.440	150	18×20	0.830	1.868	
	330	16×30	1.200	2.400	180	12.5×40	1.020	2.295	
	330	18×25	1.180	2.360	180	14.5×30	0.910	2.048	
	390	14.5×40	1.380	2.760	180	16×25	0.900	2.025	
	390	16×35	1.380	2.760	220	12.5×45	1.050	2.363	
	470	14.5×45	1.520	3.040	220	14.5×35	1.040	2.340	
	470	16×40	1.550	3.100	220	16×30	1.030	2.318	
470	18×30	1.550	3.100	220	18×25	0.990	2.228		
560	16×45	1.760	3.520	270	14.5×45	1.300	2.600		
560	18×35	1.740	3.480	270	16×35	1.190	2.380		
680	18×40	2.000	4.000	270	18×30	1.170	2.340		
820	18×50	2.230	4.460	330	14.5×50	1.410	2.820		
200	33	10×16	0.260	0.650	330	16×40	1.360	2.720	
	47	10×20	0.320	0.800	330	18×35	1.350	2.700	
	56	16×16	0.540	1.350	390	16×45	1.480	2.960	
	68	10×25	0.430	1.075	390	18×40	1.550	3.100	
	68	12.5×20	0.540	1.350	470	18×45	1.690	3.380	
	82	10×30	0.500	1.250	560	18×50	1.800	3.600	
	82	18×16	0.620	1.550	27	10×16	0.260	0.650	
	100	10×35	0.640	1.440	39	10×20	0.320	0.800	
	100	14.5×20	0.580	1.305	47	10×25	0.390	0.975	
	120	10×40	0.740	1.665	47	16×16	0.540	1.350	
	120	12.5×25	0.650	1.463	56	12.5×20	0.540	1.350	
	120	16×20	0.800	1.800	56	18×16	0.620	1.550	
	150	10×45	0.780	1.755	68	10×30	0.500	1.250	
	150	12.5×30	0.800	1.800	82	10×35	0.570	1.425	
	150	14.5×25	0.790	1.778	82	12.5×25	0.570	1.425	
	180	12.5×35	0.920	2.070	82	14.5×20	0.500	1.250	
	180	14.5×30	0.950	2.138	100	10×45	0.720	1.620	
	180	16×25	0.900	2.025	100	12.5×30	0.690	1.553	
	180	18×20	1.000	2.250	100	16×20	0.800	1.800	
	220	12.5×40	1.050	2.363	120	10×50	0.780	1.755	
	220	14.5×35	1.090	2.453	120	12.5×35	0.790	1.778	
	220	16×30	1.080	2.430	120	14.5×25	0.750	1.688	
	270	12.5×50	1.260	2.520	120	18×20	1.000	2.250	
	270	14.5×40	1.260	2.520	150	12.5×40	0.920	2.070	
	270	16×30	1.180	2.360	150	14.5×30	0.830	1.868	
	270	18×25	1.100	2.200	180	16×25	0.840	1.890	
	330	14.5×45	1.370	2.740	180	12.5×45	0.970	2.183	

◆ STANDARD SIZE

Rated Voltage (Vdc)	Capacitance (μF)	Size φD×L (mm)	Rated Ripple Current (A r.m.s./105°C)		Rated Voltage (Vdc)	Capacitance (μF)	Size φD×L (mm)	Rated Ripple Current (A r.m.s./105°C)	
			120Hz	100kHz				120Hz	100kHz
250	180	14.5×35	0.960	2.160	400	47	16×20	0.470	1.175
	180	16×30	0.950	2.138		56	10×45	0.500	1.250
	180	18×25	0.920	2.070		56	12.5×30	0.495	1.238
	220	14.5×40	1.110	2.498		56	12.5×35	0.525	1.313
	220	16×35	1.100	2.475		56	14.5×25	0.495	1.238
	220	18×30	1.100	2.475		56	16×20	0.480	1.200
	270	14.5×50	1.300	2.600		56	18×20	0.520	1.300
	270	16×40	1.270	2.540		68	12.5×35	0.570	1.425
	270	18×35	1.260	2.520		68	12.5×40	0.600	1.500
	330	16×50	1.480	2.960		68	14.5×30	0.585	1.463
	330	18×40	1.450	2.900		68	16×25	0.570	1.425
	390	18×45	1.590	3.180		68	18×20	0.530	1.325
470	18×50	1.830	3.660	82		12.5×40	0.650	1.625	
350	18	10×16	0.160	0.400		82	12.5×45	0.680	1.700
	22	10×20	0.200	0.500		82	14.5×35	0.670	1.675
	27	16×16	0.310	0.775		82	16×30	0.670	1.675
	33	10×25	0.330	0.825		82	18×25	0.640	1.600
	33	12.5×20	0.340	0.850		100	12.5×50	0.760	1.710
	33	18×16	0.380	0.950		100	14.5×40	0.760	1.710
	39	10×30	0.390	0.975		100	14.5×45	0.785	1.766
	47	10×35	0.450	1.125		100	16×30	0.710	1.598
	47	12.5×25	0.450	1.125		100	16×35	0.760	1.710
	47	14.5×20	0.420	1.050		100	18×25	0.710	1.598
	56	10×40	0.520	1.300		120	14.5×45	0.840	1.890
	56	12.5×30	0.550	1.375	120	14.5×50	0.875	1.969	
	56	16×20	0.480	1.200	120	16×35	0.810	1.823	
	68	10×50	0.600	1.500	120	16×40	0.860	1.935	
	68	12.5×35	0.610	1.525	120	18×30	0.840	1.890	
	68	14.5×25	0.560	1.400	120	18×35	0.870	1.958	
	82	12.5×40	0.710	1.775	120	18×40	0.985	2.216	
	82	14.5×30	0.670	1.675	150	16×45	0.950	2.138	
	82	16×25	0.650	1.625	150	16×50	0.995	2.239	
	82	18×20	0.520	1.300	150	18×35	0.920	2.070	
	100	12.5×45	0.790	1.778	150	18×40	0.985	2.216	
	100	14.5×35	0.780	1.755	180	16×50	1.070	2.408	
	100	16×30	0.770	1.733	180	18×40	1.040	2.340	
	100	18×25	0.760	1.710	180	18×45	1.095	2.464	
	120	12.5×50	0.850	1.913	220	18×50	1.220	2.745	
	120	14.5×40	0.900	2.025	420	15	10×20	0.190	0.475
	120	16×35	0.890	2.003		18	10×25	0.230	0.575
	150	14.5×45	0.970	2.183		22	10×25	0.250	0.625
	150	16×40	1.000	2.250		27	10×30	0.290	0.725
	150	18×30	0.900	2.025		27	12.5×20	0.300	0.750
	180	16×45	1.120	2.520		27	12.5×25	0.340	0.850
	180	18×35	1.040	2.340		33	10×35	0.340	0.850
220	18×40	1.200	2.700	33		12.5×25	0.350	0.875	
270	18×50	1.400	2.800	33		12.5×30	0.400	1.000	
400	12	10×16	0.160	0.400		33	14.5×20	0.350	0.875
	18	10×20	0.220	0.550		39	10×40	0.390	0.975
	18	16×16	0.230	0.575		39	14.5×25	0.435	1.088
	22	10×25	0.240	0.600		39	16×20	0.400	1.000
	27	10×25	0.290	0.725		47	10×45	0.440	1.100
	27	12.5×20	0.340	0.850		47	12.5×30	0.440	1.100
	27	18×16	0.380	0.950		47	12.5×35	0.505	1.263
	33	10×30	0.340	0.850		47	14.5×25	0.450	1.125
	39	10×35	0.390	0.975		47	16×25	0.440	1.100
	39	12.5×25	0.390	0.975		56	12.5×35	0.510	1.275
	39	14.5×20	0.360	0.900		56	12.5×40	0.570	1.425
	47	10×40	0.440	1.100		56	14.5×30	0.560	1.400
	47	12.5×30	0.455	1.138		56	16×25	0.510	1.275
						56	18×20	0.480	1.200

◆STANDARD SIZE

Rated Voltage (Vdc)	Capacitance (μF)	Size φD×L (mm)	Rated Ripple Current (A r.m.s./105°C)	
			120Hz	100kHz
420	68	12.5×45	0.600	1.500
	68	12.5×50	0.670	1.675
	68	14.5×35	0.640	1.600
	68	16×30	0.560	1.400
	68	18×25	0.615	1.538
	82	12.5×50	0.690	1.725
	82	14.5×40	0.680	1.700
	82	14.5×45	0.750	1.875
	82	16×30	0.640	1.600
	82	16×35	0.690	1.725
	82	18×25	0.640	1.600
	82	18×30	0.730	1.825
	100	14.5×45	0.790	1.778
	100	14.5×50	0.845	1.901
	100	16×35	0.730	1.643
	100	16×40	0.800	1.800
	100	18×30	0.780	1.755
	100	18×35	0.835	1.879
	120	16×40	0.840	1.890
	120	16×45	0.920	2.070
	120	18×35	0.850	1.913
	120	18×40	0.930	2.093
	150	16×50	0.940	2.115
	150	18×40	1.000	2.250
150	18×45	1.060	2.385	
180	18×45	1.100	2.475	
450	10	10×16	0.130	0.325
	15	10×20	0.190	0.475
	15	16×16	0.210	0.525
	18	10×25	0.230	0.575
	22	10×30	0.270	0.675
	22	12.5×20	0.280	0.700
	22	18×16	0.340	0.850
	27	10×35	0.320	0.800
	27	12.5×25	0.340	0.850
	27	14.5×20	0.335	0.838
	33	10×40	0.360	0.900
	33	12.5×25	0.360	0.900
	33	12.5×30	0.400	1.000
	33	14.5×25	0.400	1.000
	39	10×45	0.410	1.025
	39	12.5×30	0.430	1.075
	39	12.5×35	0.460	1.150
	39	14.5×25	0.430	1.075
	39	16×20	0.400	1.000
	47	12.5×35	0.480	1.200
	47	12.5×40	0.525	1.313
	47	14.5×30	0.515	1.288
	47	16×25	0.500	1.250
	47	18×20	0.460	1.150
	56	12.5×40	0.540	1.350
	56	12.5×45	0.590	1.475
	56	14.5×30	0.540	1.350
	56	14.5×35	0.580	1.450
	56	16×25	0.530	1.325
	56	16×30	0.585	1.463
56	18×25	0.560	1.400	
68	12.5×45	0.610	1.525	
68	12.5×50	0.670	1.675	
68	14.5×35	0.620	1.550	

Rated Voltage (Vdc)	Capacitance (μF)	Size φD×L (mm)	Rated Ripple Current (A r.m.s./105°C)	
			120Hz	100kHz
450	68	14.5×40	0.660	1.650
	68	16×30	0.610	1.525
	68	16×35	0.660	1.650
	68	18×25	0.610	1.525
	82	14.5×40	0.670	1.675
	82	14.5×45	0.740	1.850
	82	16×35	0.690	1.725
	82	16×40	0.750	1.875
	82	18×30	0.730	1.825
	100	14.5×50	0.810	1.823
	100	16×40	0.770	1.733
	100	16×45	0.840	1.890
	100	18×30	0.750	1.688
	100	18×35	0.835	1.879
	120	16×45	0.880	1.980
	120	18×35	0.860	1.935
	120	18×40	0.930	2.093
	150	18×45	1.000	2.250
	150	18×50	1.060	2.385
	180	18×50	1.100	2.475