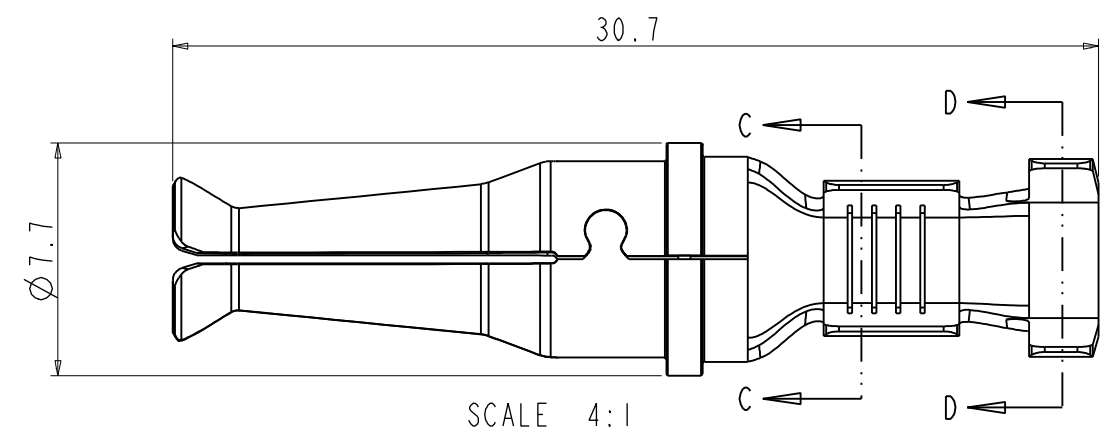
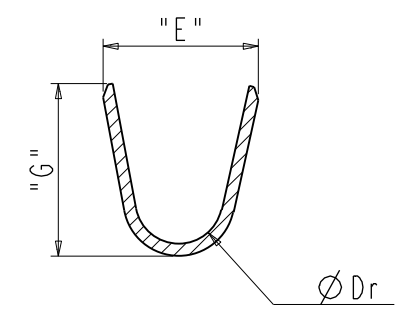
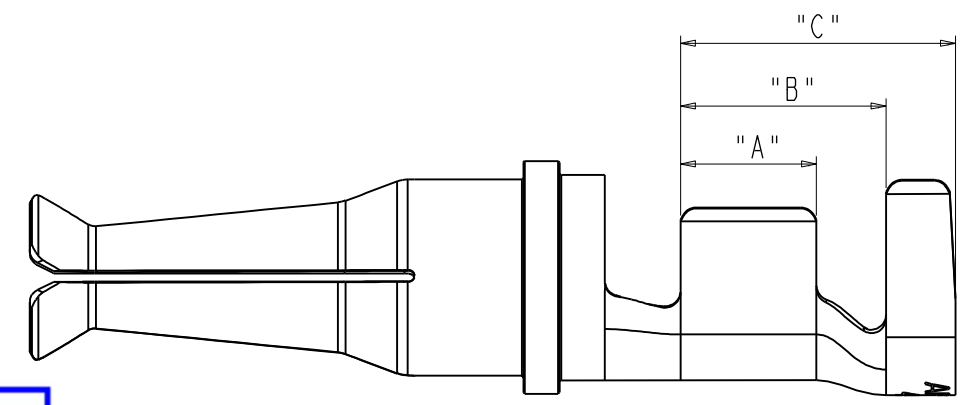
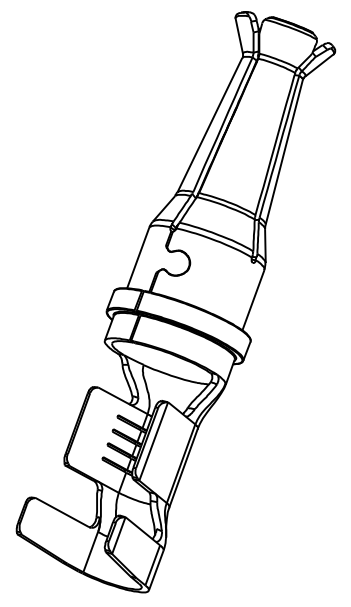
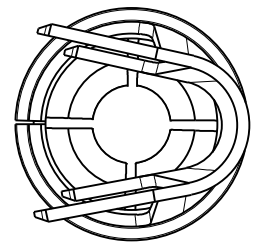


Amphenol PCD SZ  
ORIGINAL  
PDF Format  
R&D

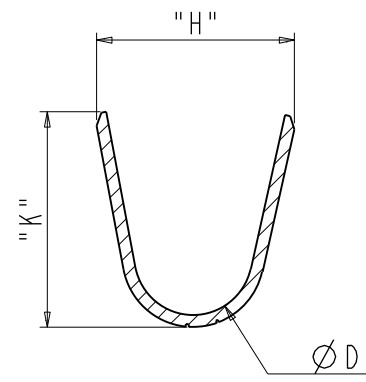
REV	ECN	DESCRIPTION	DATE	MODIFIED
A	C2569	RELEASE	Dec-06-17	Rock
B	C4560N	UPDATE .X TOLERANCES, 0.1 TO 0.5mm	Jul-14-20	LUIK



SCALE 4:1



SECTION C-C



SECTION D-D

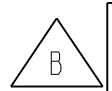
安费诺精密连接器(深圳)有限公司  
Amphenol PCD Shenzhen  
受控文件  
2020年7月15日

C-C310026001

C-C310026001

- NOTES:
- ✦ 1. MATERIAL: COPPER ALLOY, T=0.4mm
  - 2. PLATING: SILVER FINISHED
  - 3. CURRENT CARRYING CAPACITY:  
40A@ 6mm<sup>2</sup> WIRE  
32A@ 4mm<sup>2</sup> WIRE  
23A@ 2.5mm<sup>2</sup> WIRE
  - 4. CONTACT RESISTANCE: <5mΩ
  - ✦ 5. ROHS COMPLIANCE

PART NUMBER	WIRE RANGE	INSULATION OD	CRIMP DIMENSION (mm)				
			"A"	"B"	"C"	WIRE CRIMP	INSULATION CRIMP
C310026001	4~6mm <sup>2</sup>	∅3.40mm~∅4.30mm	4.5	7.2	9.4	E=5.0 G=5.6 ∅Dr=2.9	H=6.8 K=7.0 ∅D=4.3
C310026003	1.5-2.5mm <sup>2</sup>	∅2.20mm~∅3.00mm	3.5	4.7	6.3	E=3.8 G=4.0 ∅Dr=1.7	H=4.7 K=4.9 ∅D=2.6



<b>DIMENSIONS</b> ANSI Y14.5M UNITS: MM Pro/E FILE	<b>TOLERANCES</b> .X ±0.5 .XX ±0.05 ANGLES ±2°	<b>PROJECTION</b> 	<b>Amphenol PCD Shenzhen</b>		<b>8# FEMALE CONTACT</b>		
			ENGR Rock	Dec-06-17			
<b>ORIGINAL</b>	THIS DOCUMENT CONTAINS PROPRIETARY INFORMATION WHICH IS THE CONFIDENTIAL PROPERTY OF AMPHENOL PCD SHENZHEN		CHKD <i>Senbas</i>	SIZE <b>A3</b>	DWG NO. <b>C-C310026001</b>	REV <b>B</b>	
			APPD <i>Rock.chen</i>	CODE: 58982	SCALE: 6:1	SHEET 1 OF 1	