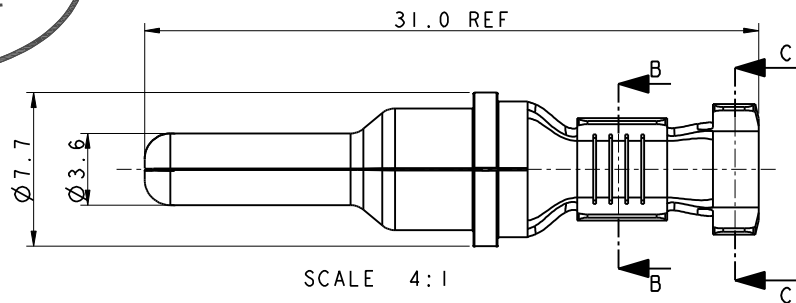
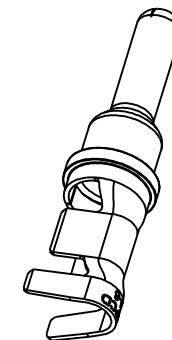
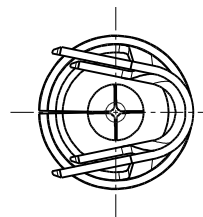


REV	ECN	DESCRIPTION	DATE	MODIFIED
A	C2569	RELEASE	Dec-06-17	Rock

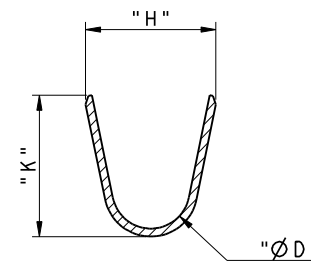
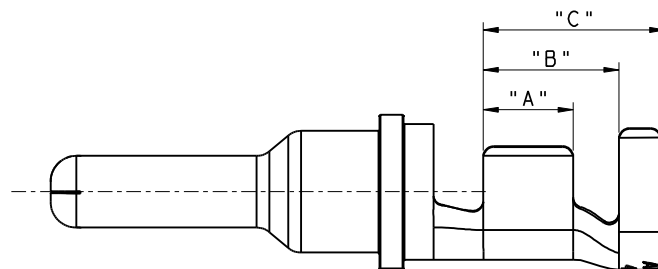
Amphenol PCDSZ
ORIGINAL
PDF Format
R&D



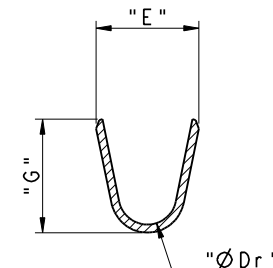
SCALE 4:1



安费诺精密连接器(深圳)有限公司
Amphenol PCD Shenzhen
受控文件
2017年12月15日



SECTION C-C



SECTION B-B

PART NUMBER	WIRE RANGE	INSULATION OD	CRIMP DIMENSION (mm)			WIRE CRIMP	INSULATION CRIMP
			"A"	"B"	"C"		
C310026000	4~6mm ²	∅ 3.40mm~∅ 4.30mm	4.5	7.0	9.1	E=5.3 G=5.6 ∅Dr=2.9	H=6.7 K=7.0 ∅D=3.9
C310026002	1.5-2.5mm ²	∅ 2.20mm~∅ 3.00mm	3.5	4.7	6.3	E=3.8 G=4.0 ∅Dr=1.7	H=4.7 K=4.9 ∅D=2.6

- NOTES:
- MATERIAL: COPPER, T=0.4mm
 - PLATING: SILVER FINISHED
 - CURRENT CARRYING CAPACITY:
40A@ 6mm² WIRE
32A@ 4mm² WIRE
23A@ 2.5mm² WIRE
 - CONTACT RESISTANCE: <5mΩ
 - ROHS COMPLIANCE

DIMENSIONS ANSI Y14.5M UNITS: MM PRO/E FILE	TOLERANCES .X ±0.3 .XX ±0.10 ANGLES ±2.0°	PROJECTION 	Amphenol Pcd Shenzhen		TITLE 8# MALE CONTACT		
			ENGR Rock Dec-06-17	SIZE A3	DWG NO. C-C310026000	REV A	
ORIGINAL	THIS DOCUMENT CONTAINS PROPRIETARY INFORMATION WHICH IS THE CONFIDENTIAL PROPERTY OF AMPHENOL PCD SHENZHEN		CHKD <i>Jack</i>	APPD <i>Derek</i>	CODE: 58982	SCALE:	SHEET 1 OF 1

C-C310026000

C-C310026000