

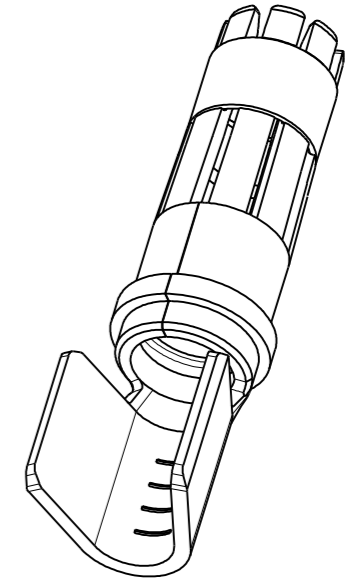
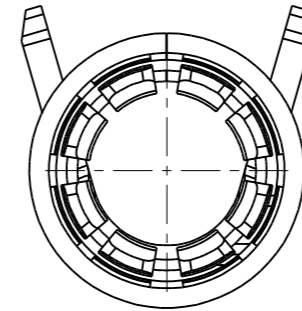
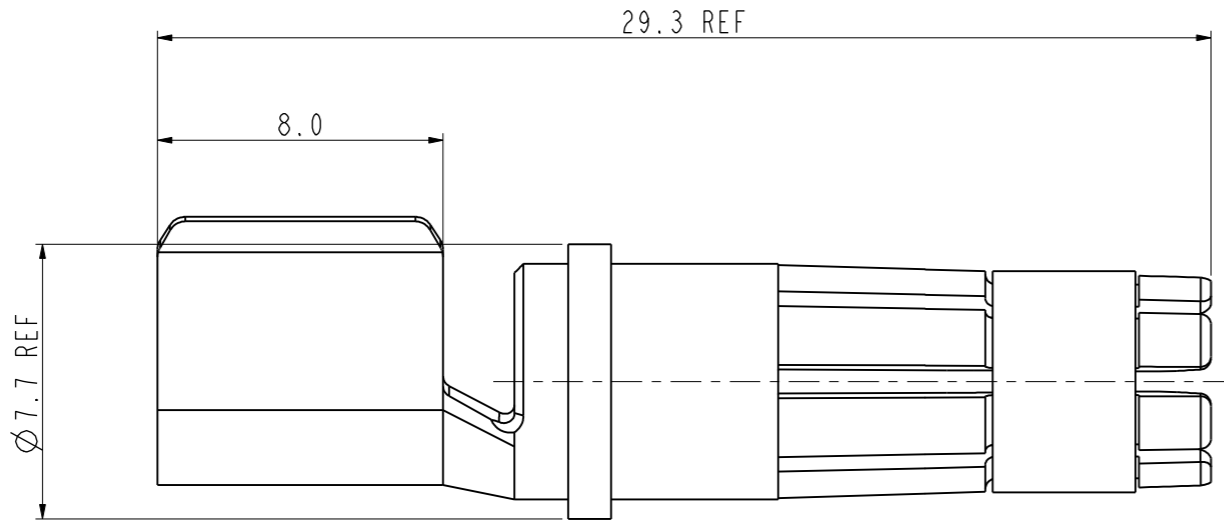
C-C3100235021

安费诺精密连接器(深圳)有限公司
Amphenol PCD Shenzhen


受控文件
2019年12月13日

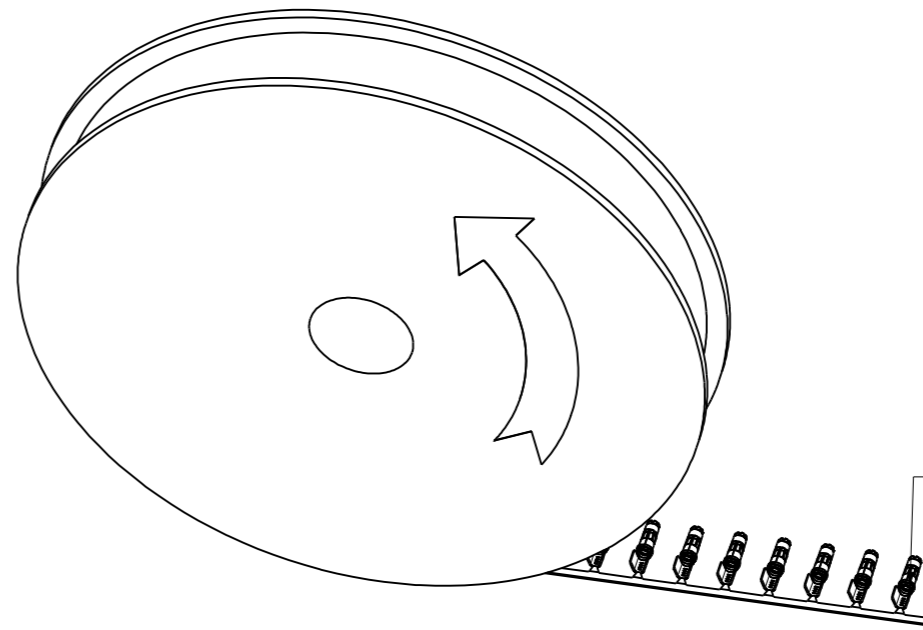
REV	ECN	DESCRIPTION	DATE	MODIFIED
A	C2569	RELEASE	Nov-07-17	Rock
B	C2711	SPLIT FROM 4 DIVISION TO 8 ADD 6MM^2 WIRE RANGE	Jan-29-18	Rock
C	C3526N	UPDATE DRAWING PER REAL PART	Oct.29.19	Luik

Amphenol PCDSZ
ORIGINAL
PDF Format
R&D



"✦" IS CRITICAL CHARACTERISTIC SYMBOL

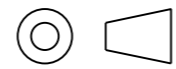
- NOTES:
- ✦ 1. MATERIAL: CONTACT BODY: COPPER, T=0.8mm
SPRING: STAINLESS STEEL, T=0.3mm
 - 2. PLATING: SILVER FINISHED
 - 3. WIRE RANGE: 6-10mm² 
 - ✦ 4. CURRENT CARRYING CAPACITY: 60A(10mm²), 40A(6mm²)
 - 5. CONTACT RESISTANCE: <2mΩ
 - 6. 1000PCS PER REEL
 - ✦ 7. ROHS COMPLIANCE



FEED DIRECTION

C-C3100235021

C-C3100235021

DIMENSIONS ANSI Y14.5M UNITS: MM Pro/E FILE	TOLERANCES .X ±0.5 .XX ±0.05 ANGLES ±2.0°	PROJECTION 	Amphenol Pcd Shenzhen			TITLE FEMALE CONTACT 10mm ²		
			ENGR Rock Nov-07-17	CHKD <i>Luik</i>	APPD <i>Rock.chen</i>	SIZE A3	DWG NO. C-C3100235021	REV C
ORIGINAL	THIS DOCUMENT CONTAINS PROPRIETARY INFORMATION WHICH IS THE CONFIDENTIAL PROPERTY OF AMPHENOL PCD SHENZHEN			CODE: 58982	SCALE: 2:1	SHEET 1 OF 1		