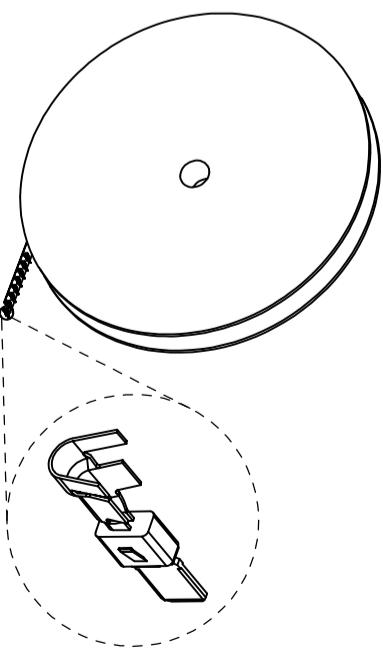
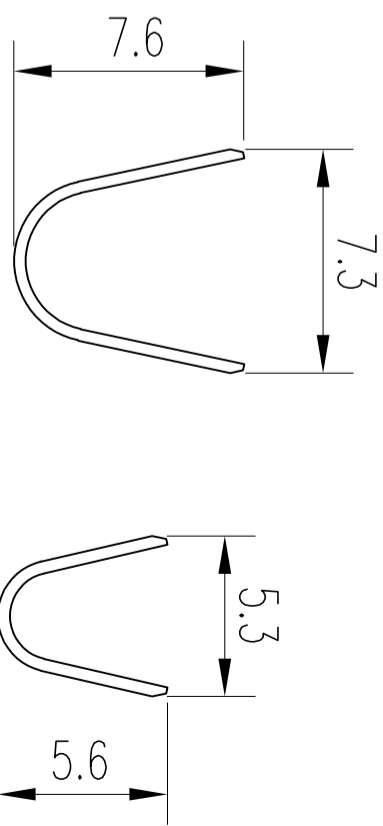
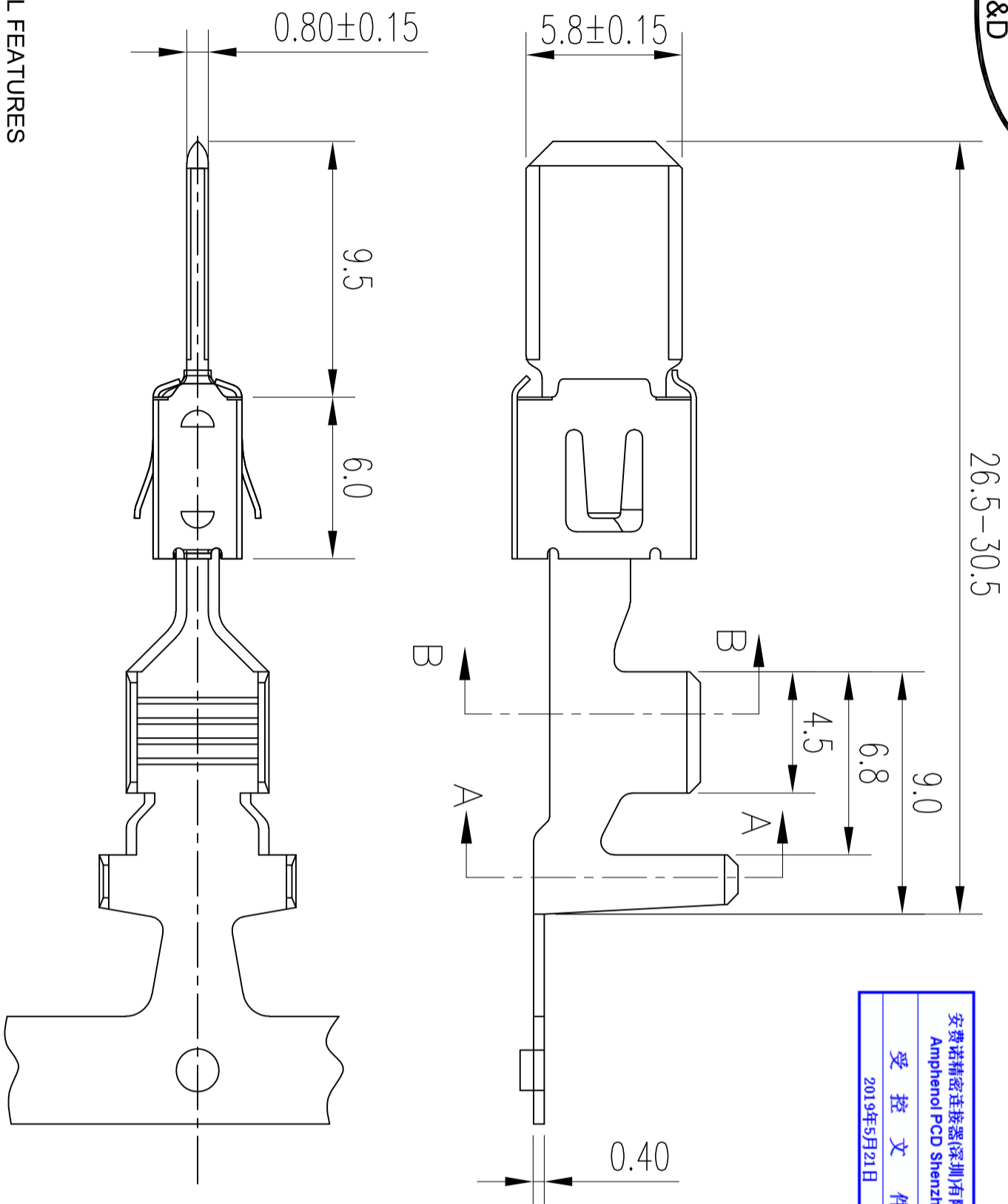


Amphenol PCD SZ
 ORIGINAL
 PDF Format
 R&D

REV	ECN	DESCRIPTION	DATE	MODIFIED
1		FIRST RELEASE	2019.04.17	R.Q
2	C3331N	ADD CABLE INSULATION	2019.05.17	R.Q

安费诺精密连接器(深圳)有限公司
 Amphenol PCD Shenzhen
 受控文件
 2019年5月21日



C-C310003622S

C-C310003622S

- TECHNICAL FEATURES**
- 1.MATERIAL:CONTACT:CUNISI,T=0.40MM
TOP SPRING: STAINLESS
 - 2.CONTACT FINISH:TIN PLATED
 - 3.WIRE SIZE RANGE:4.0~6.0 MM²
INSULATION OD: φ3.4~φ4.6MM
 - 4.CURRENT CARRYING CAPACITY:
UP TO 40 AMPERE (AT 20°C AMBIENT TEMPERATURE)
 - 5.CONTACT RESISTANCE: NEW STATE <2mΩ

ORIGINAL	DIMENSIONS	TOLERANCES	PROJECTION	Amphenol Pcd Shenzhen	TITLE	SIZE	DWG NO.	SCALE	SHEET	REV
	ANSI Y14.5M UNITS: MM CAD FILE	X .XX ANGLES	±0.5 ±0.05 ±2°			Amphenol Pcd Shenzhen ENGR ROY.QU 2019.04.17	A3			
THIS DOCUMENT CONTAINS PROPRIETARY INFORMATION WHICH IS THE CONFIDENTIAL PROPERTY OF AMPHENOL PCD SHENZHEN										
CHKD APPD 2019.04.17 2019.04.17										