



CW1051

3~5 Channel Secondary Protection IC

Features

- 3~5 Cells Application
- Overcharge Protection
 - Threshold from 4.100V to 4.500V
 - 25mV Steps, $\pm 25\text{mV}$ Accuracy
- Internal Overcharge Protection Delay Time
- Overcharge Delay Counter Reset Time
- Open Wire Protection
- Low Power Dissipation
 - Normal Working $4\mu\text{A}$ (25°C)
- Package Type: MSOP8L, DFN3*4-8L

Applications

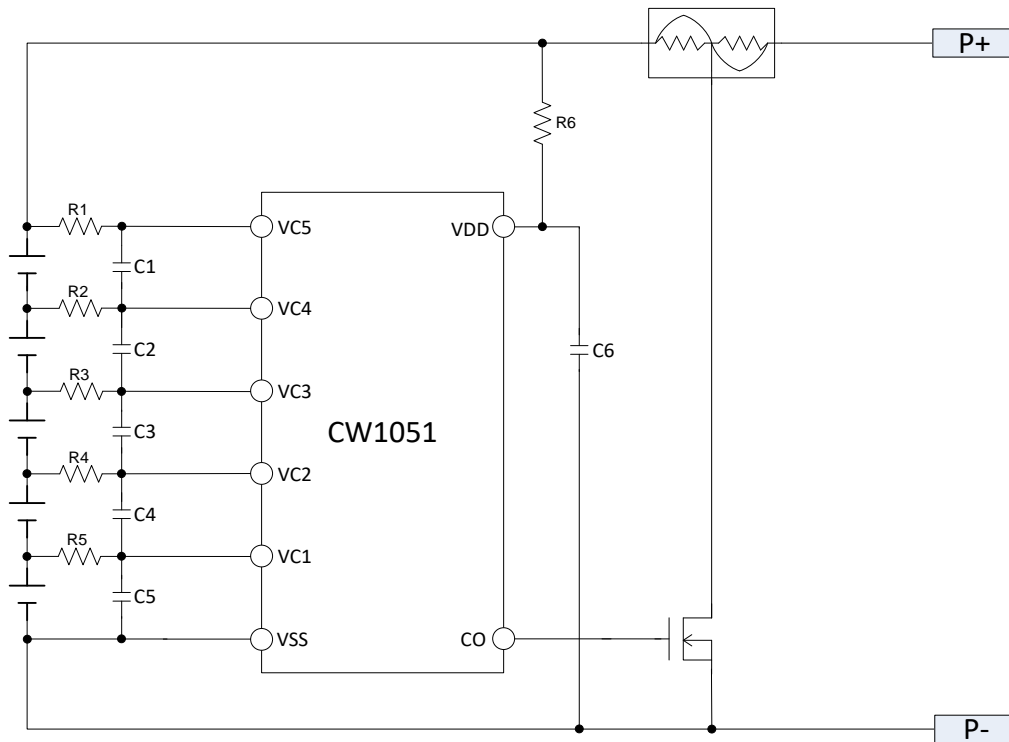
- NoteBook
- Tablet PC
- E-Tools
- Backup Power Supply
- Other Lithium-ion or Lithium Polymer Battery Packs

General Description

The CW1051 series products are highly integrated secondary protection ICs for 3 to 5 lithium-ion and lithium polymer battery cells connected in series. CW1051 provides overcharge protection for battery pack by measuring each cell's voltage.

Application Circuits

For 5 cell connect in series (CMOS, Active H)

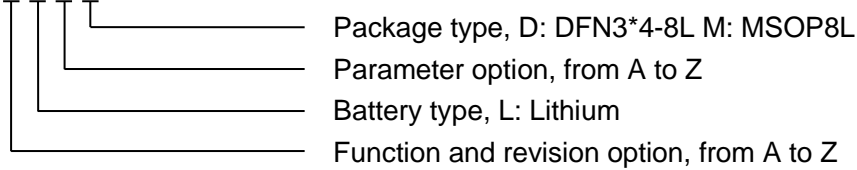


Recommended parameter

SYMBOL	TYPICAL	RANGE	UNIT
R1,R2,R3,R4,R5	1000	200~2000	Ω
R6	200	200~1000	Ω
C1,C2,C3,C4,C5	0.1	0.1~0.22	μF
C6	0.1	0.1~0.47	μF

Product Name

CW1051 X X X X

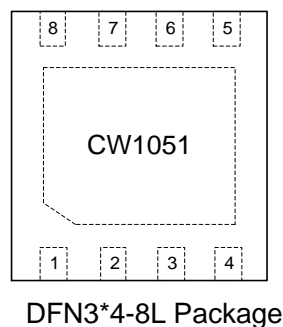
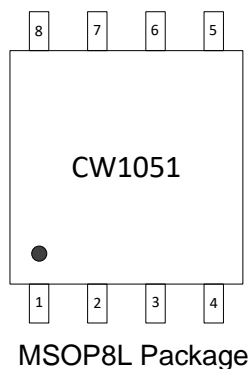


Ordering Information

TYPE	OVER CHARGE THRESHOLD [VOC] (V)	HYSTERESIS VOLTAGE*1 [VHYS] (V)	DELAY TIME*2 [TOC] (S)	OUTPUT TYPE*3
CW1051ALAM	4.220	0.300	1	CMOS, Active H
CW1051ALAD				
CW1051ALBM	4.220	0.050	6	CMOS, Active L
CW1051ALBD				
CW1051ALCM	4.350	0.050	1	CMOS, Active H
CW1051ALCD				
CW1051ALDM	4.400	0.050	1	CMOS, Active H
CW1051ALDD				
CW1051ALEM	4.220	0.300	4	CMOS, Active H
CW1051ALED				
CW1051ALFM	4.300	0.300	1	CMOS, Active H
CW1051ALFD				
CW1051ALGD	4.300	0.050	2	NMOS open drain, Active L
CW1051ALGM				
CW1051ALHD	4.275	0.050	1	CMOS, Active H
CW1051ALHM				
CW1051ALJM	4.250	0.100	1	NMOS open drain Active L
CW1051ALKM				
CW1051ALLM	4.250	0.300	1	CMOS, Active L
CW1051ALMM	4.200	0.050		NMOS open drain Active L
CW1051ALMD	4.200	0.050	1	CMOS, Active H
CW1051ALNM	4.175	0.100		
CW1051ALOM	4.250	0.100	4	CMOS, Active H
CW1051ALPM	4.175	0.100	1	CMOS, Active L
CW1051ALQD	4.350	0.300	4	CMOS, Active H
CW1051ALSM	4.200	0.100	1	CMOS, Active H
CW1051ALRM	4.200	0.100	1	CMOS, Active L
CW1051ALUM	3.800	0.100	1	CMOS, Active H
CW1051ALVM	4.250	0.100	1	CMOS, Active L
CW1051ALXM	4.275	0.050	1	CMOS, Active H

- *1 Optional hysteresis voltage: 0V, 0.050V, 0.100V, 0.300V
- *2 Optional delay time: 1s, 2s, 4s, 6s
- *3 Optional output type: CMOS active H, CMOS Active L, PMOS open drain Active H, NMOS open drain Active L

Pin Configuration



Pin Descriptions

PIN	NAME	DESCRIPTION
1	VDD	Power supply
2	VC5	Positive input of cell5
3	VC4	Positive input of cell4
4	VC3	Positive input of cell3
5	VC2	Positive input of cell2
6	VC1	Positive input of cell1
7	VSS	Ground
8	CO	Overcharge output driver

Absolute Maximum Ratings

		VALUE		UNITS
		MIN	MAX	
PIN voltage range respect to VSS	VDD, VCx	-0.3	36	V
PIN voltage range respect	CO	-0.3	VDD+0.3	V
Operation Temperature		-30	85	°C
Storage Temperature	T _{stg}	-40	125	°C

Caution:

Stresses beyond "Absolute Maximum Ratings" condition may cause permanent damage to the device. These are stress ratings only and functional operation of the device at these or any other beyond those indicated in the operational sections of the specifications is not implied. Exposure to absolute maximum rating conditions for extended periods may affect device reliability.

ESD Ratings

			MAX	UNITS
V _(ESD) Rating	Electrostatic discharge	Human body model (HBM) ESD stress voltage	±4000	V
		Charged device model (CDM) ESD stress voltage	±1000	V

Recommended DC Operating Conditions

PARAMETER	SYMBOL	CONDITIONS	MIN	TYP	MAX	UNITS
VDD Input Voltage Range	V _{DD}		4.5		28	V
VCx Input Voltage Range	V _{Cx}		0		4.5	V

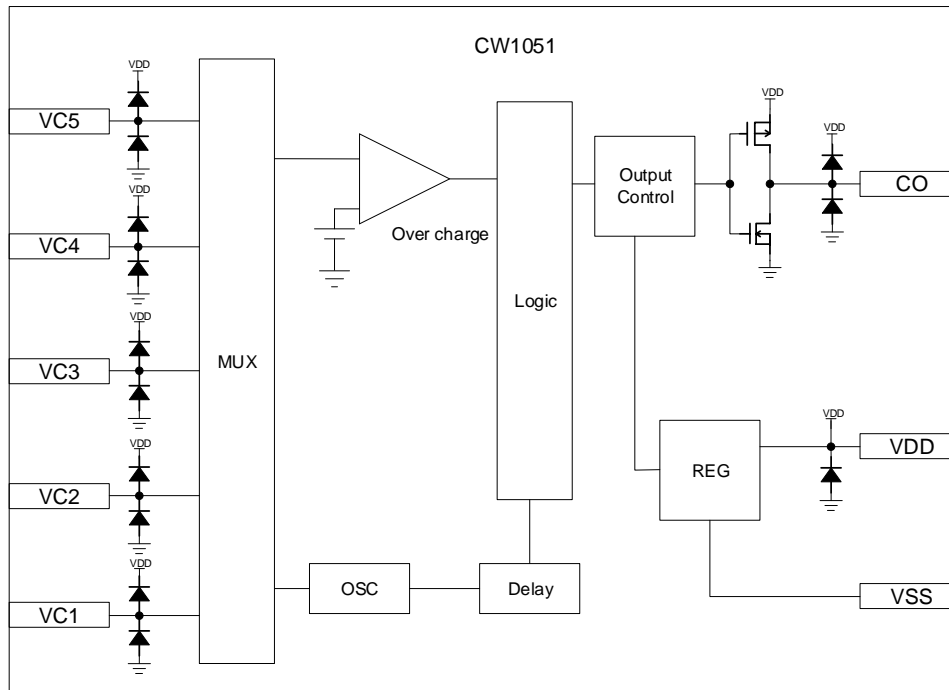
Electrical Characteristics

Operation under 25°C unless otherwise specified

PARAMETER	SYMBOL	CONDITIONS	MIN	TYP	MAX	UNITS
INPUT CURRENT						
Operation Current	I_{OPR}	VC1=VC2=VC3=VC4=VC5=3.7V		4	7	μA
VOLTAGE/TEMPERATURE DETECT AND PROTECTION THRESHOLD						
Overcharge Threshold	V_{OC}	VC1=VC2=VC3=VC4=3.7V Sweep VC5 from 3.7V to 4.5V	V_{OC-} 0.025	V_{OC}	V_{OC+} 0.025	V
Overcharge Threshold in whole Temperature Range		From -5°C to 55°C	V_{OC-} 0.040	V_{OC}	V_{OC+} 0.040	V
OC Release Threshold $V_{OCR}=V_{OC}-V_{HYS}$	V_{OCR}	VC1=VC2=VC3=VC4=3.7V Sweep VC5 from 4.5V to 3.7V	V_{OCR-} 0.025	V_{OCR}	V_{OCR+} 0.025	V
ACTION DELAY						
Overcharge Delay	T_{OC}	VC1=VC2=VC3=VC4=3.7V Sweep VC5 from 3.7V to 4.5V	0.80* T_{OC}	T_{OC}	1.30* T_{OC}	s
Overcharge Release Delay	T_{OCR}	VC1=VC2=VC3=VC4=3.7V Sweep VC5 from 4.5V to 3.7V		5		ms
Overcharge Reset Delay	T_{RESET}			20		ms
Open-wire Detection Delay	T_{OW}	Input capacitor = 0.1 μF		2		s
Open-wire Release Delay	T_{OWR}			10		ms
PIN OUTPUT VOLTAGE						
CO Logic High Output	V_{OC}	VC1=VC2=VC3=VC4=VC5=3.7V	V_{DD-} 0.3			V
CO Logic Low Output*1		VC1=VC2=VC3=VC4=VC5=4.5V			0.3	V
PIN DRIVE ABILITY						
CO High Output Drive Ability	CO	CO logic HIGH		35		μA
CO Low Output Drive Ability		CO logic LOW		0.5		mA

*1 There is several output types, detail please refer to the product selection table. Take CMOS Active H for example here.

Functional Block Diagram



Notes: Some buffer blocks omitted

Detailed Description

Normal State

CW1051 works under a normal state when each cell voltage is less than V_{oc} .

Overcharge State

When any cell voltage becomes higher than overcharge threshold voltage (V_{OC}) and stays longer than overcharge protection delay time (T_{OC}), CO will output a high-level signal, and CW1051 enters over charge state. CO signal can be used to inform the external device or control the MOSFET. If within T_{oc} , cell voltage drops lower than V_{OC} but stays shorter than overcharge reset delay time (T_{RESET}) before rising up over V_{OC} again, this spike will be ignored. Otherwise, accumulated delay time of overcharge will be reset. Overcharge protection state will release when all the cell voltages are less than the overcharge release threshold (V_{OCR}) and stay longer than the release delay time (T_{OCR}).

Open-wire Detection

Any wire connected between the battery cell and IC will be monitored.

When the wire disconnects and maintains (T_{OW}) time, IC will enter to the open-wire protection state.

CO outputs a high-level voltage to cut off the charge loop.

Open-wire protection will release when all wires reconnect and stay longer than the release delay time (T_{OWR}).

Test Mode

Test mode is used to reduce the protection delay time for test of mass production.

CW1051 will enter the test mode when add a $V_{DD}+7V$ voltage on VDD pin and maintains 80ms. Test mode lasts 8s then recovers to the normal status.

Detailed test mode timing is illustrated as bellow:

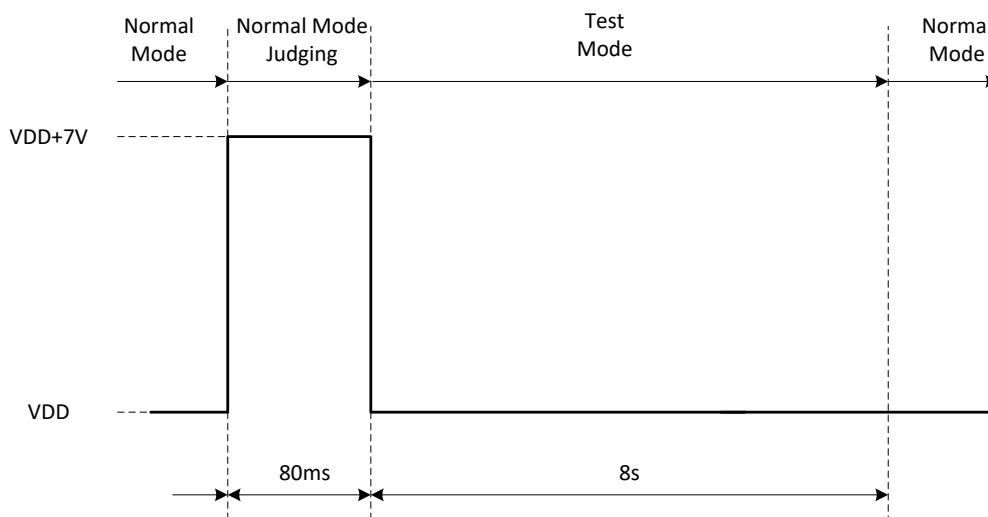
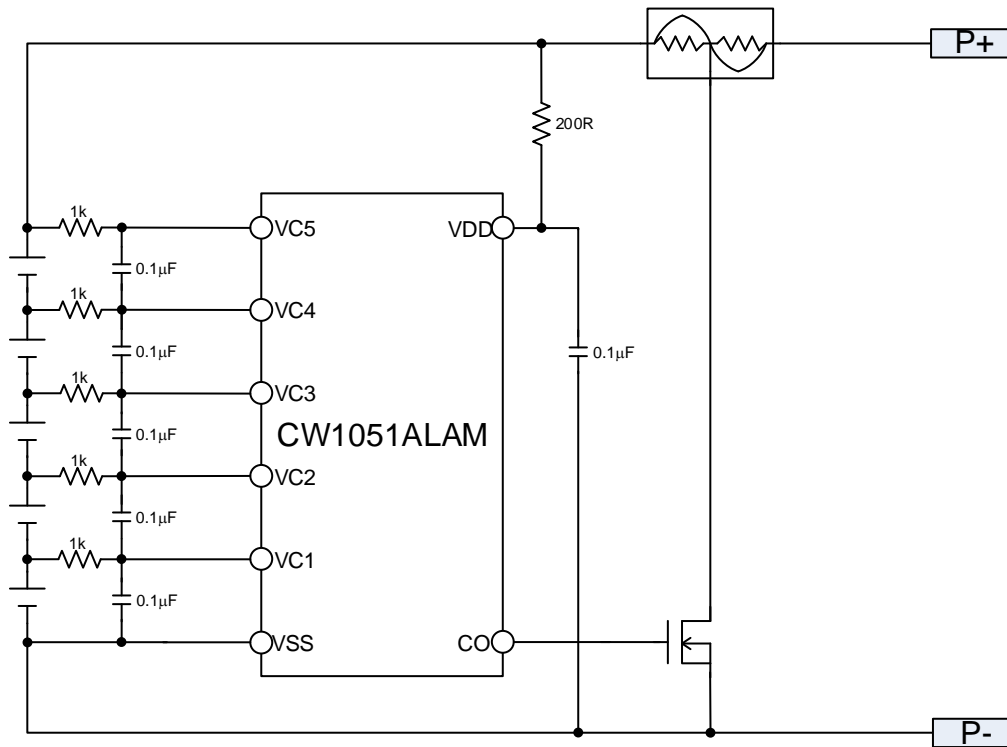
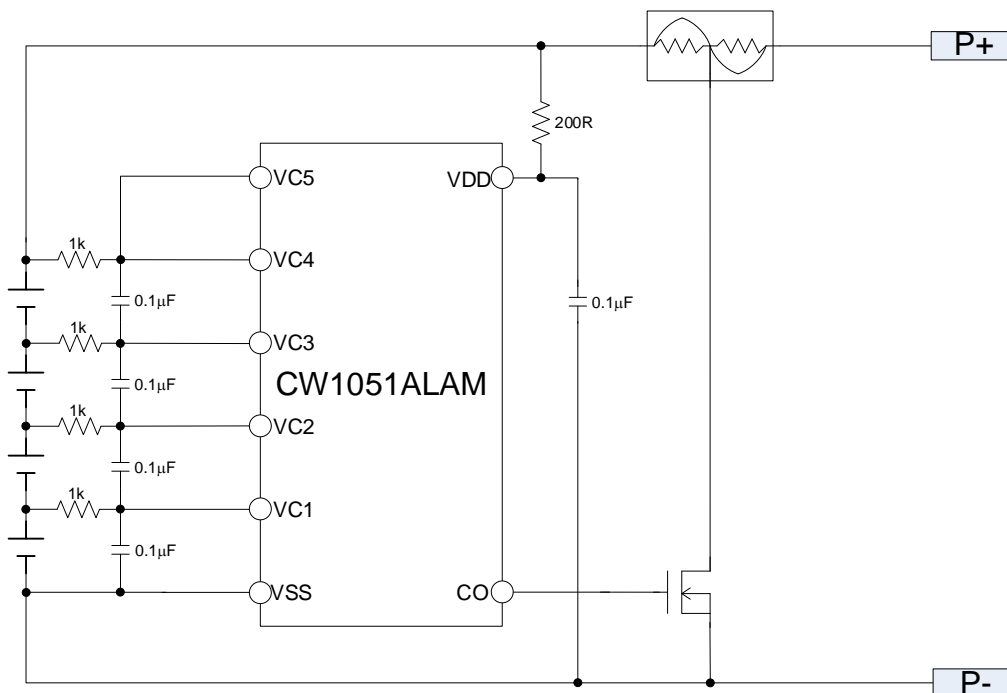


Figure 1. Test Mode Timing

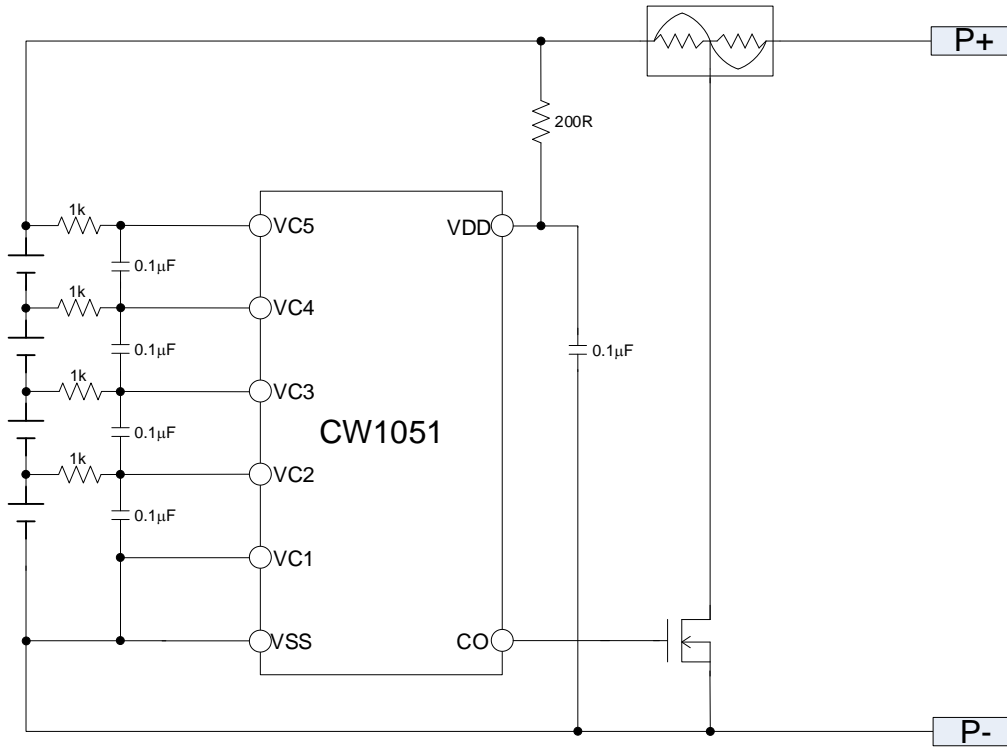
Reference Schematic



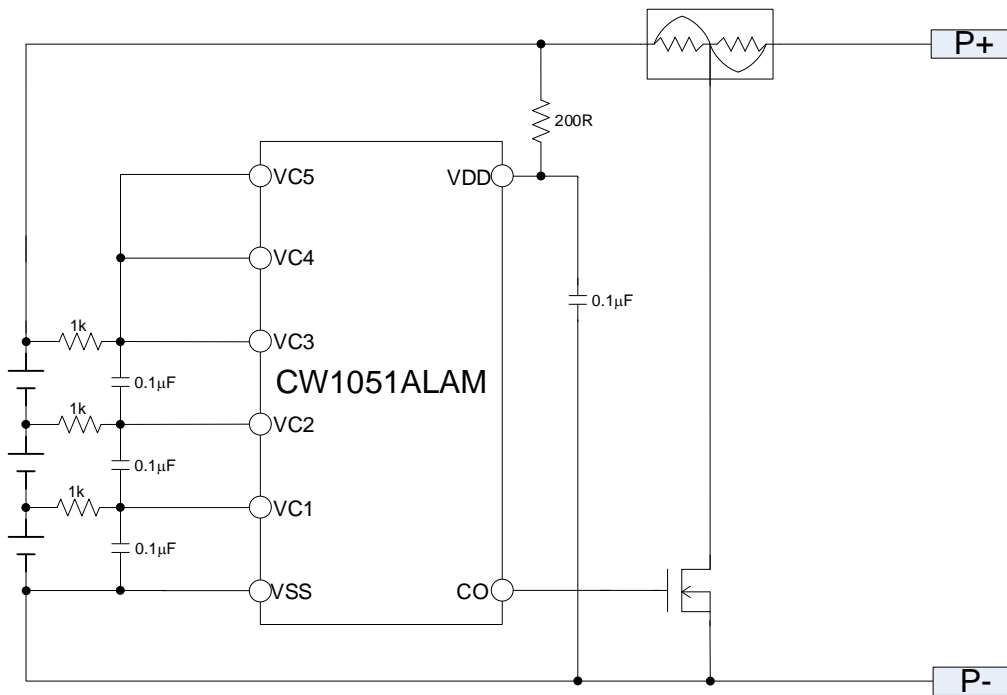
Reference Schematic for 5 cells



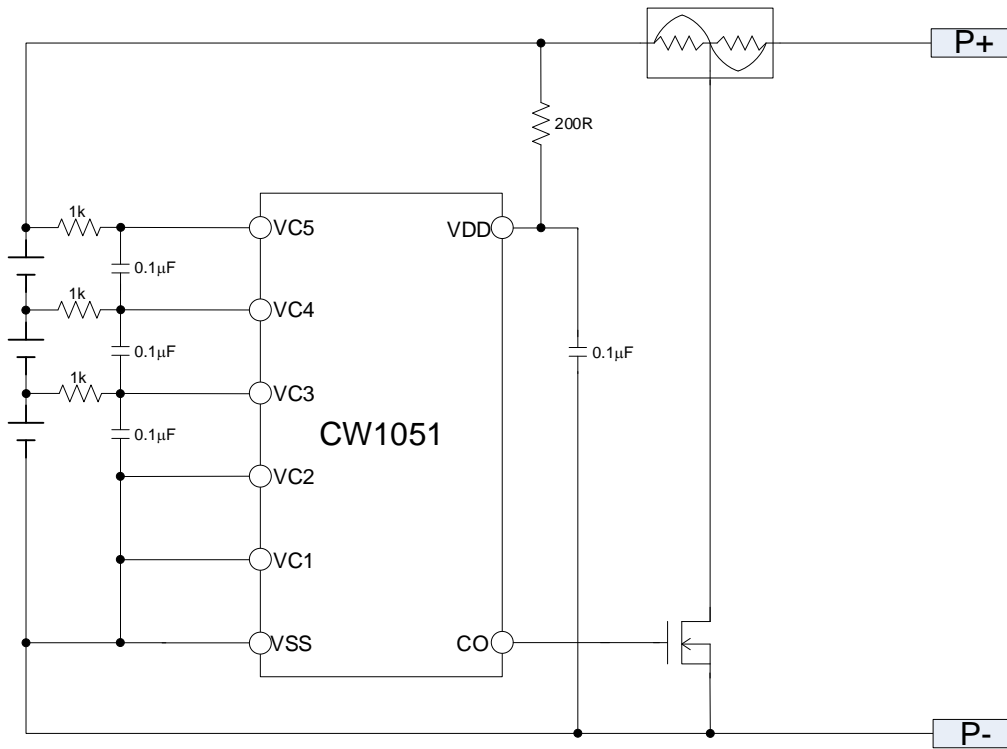
Reference Schematic for 4 cells



Reference Schematic for 4 cells



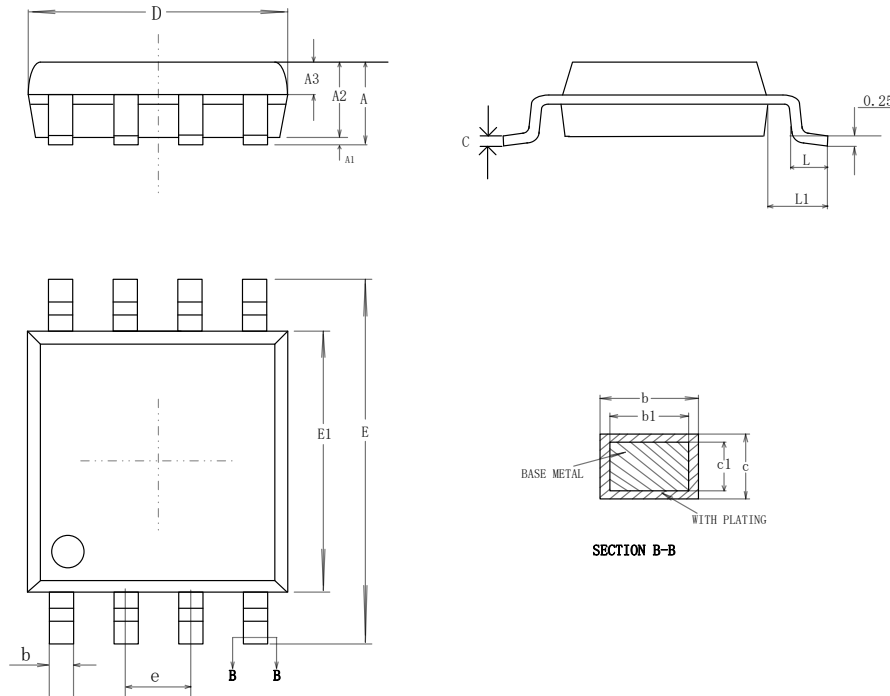
Reference Schematic for 3 cells



Reference Schematic for 3 cells

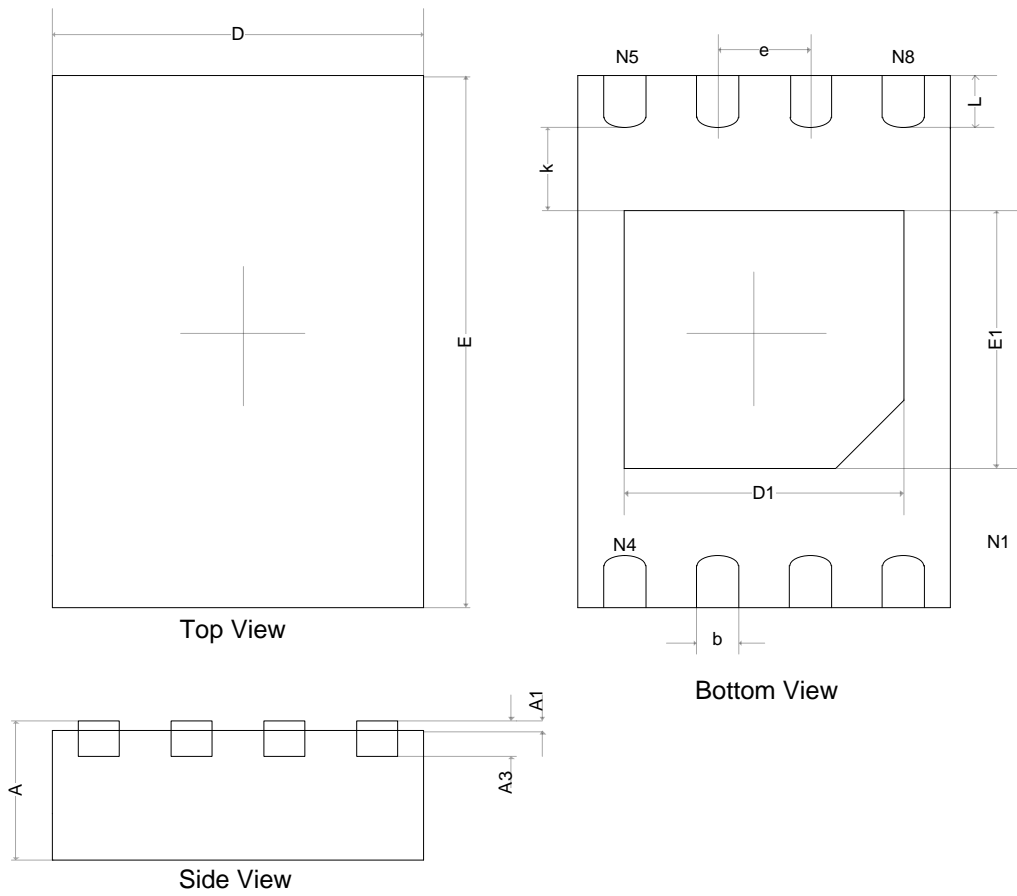
Package Information

MSOP8L PACKAGE OUTLINE DIMENSIONS



SYMBOL	MILLIMETER	
	MIN.	MAX.
A		1.10
A1	0.05	0.15
A2	0.75	0.95
A3	0.30	0.40
b	0.29	0.38
b1	0.28	0.33
c	0.15	0.20
c1	0.14	0.16
D	2.9	3.1
E	4.7	5.1
E1	2.9	3.1
e	0.65BSC	
L	0.40	0.70
L1	0.95BSC	

DFN3X4-8L PACKAGE OUTLINE DIMENSIONS



SYMBOL	MILLIMETER		
	MIN.	NOM.	MAX.
A	0.70	0.75	0.80
A1	-	0.02	0.05
A3	0.18	0.20	0.25
D	2.90	3.00	3.10
E	3.90	4.00	4.10
D1	2.20	2.30	2.40
E1	1.70	1.80	1.90
K	0.230MIN.		
b	0.15	0.20	0.25
e	0.65TYP.		
L	0.35	0.40	0.45

Revision History

DATE	VERSION	CHANGED ITEM	WRITTEN BY	APPROVED BY
2015-12-24	1.0	New document established	Kang	Jun
2016-07-10	1.1	1. Corrects the format 2. Revised Open-wire Detection Delay	Kang	Jun
2016-11-10	1.2	1.Revised CW1051ALAM parameter 2. Add CW1051ALEM Ordering Information	Kang	Jun
2017-08-02	1.3	Add CW1051ALFM/ALFD Ordering Information	Kang	Jun
2017-10-17	1.4	Add CW1051ALGD Ordering Information	Kang	Jun
2017-11-17	1.5	1. Add CW1051ALHD/ALJM/ALKM Ordering Information 2. Revised V _{OCR} parameter	Kang	Jun
2018-02-05	1.6	1.Add CW1051ALLM/ ALHM Ordering Information 2.Add Product Name 3.R6 parameter range modify to 200Ω~1000Ω. 4.CO PIN voltage range modify to -0.3V~VDD+0.3V.	Kang	Jun
2018-3-12	1.7	Add CW1051ALMM Ordering Information	Kang	Jun
2018-4-18	1.8	Add Reference Schematic	Kang	Jun
2018-6-19	1.9	Add CW1051ALOM\ ALPM\ ALQD \ALGM Ordering Information	Kang	Jun
2018-9-7	2.0	Add CW1051ALSM Ordering Information	Kang	Jun
2018-9-7	2.1	Add CW1051ALRM Ordering Information	Kang	Jun
2018-12-17	2.2	1.Add CW1051ALUM Ordering Information 2.Add ESD Ratings 3. Revised CO High Output Drive Ability parameter	Kang	Jun
2019-06-18	2.3	1. Add Reference Schematic 2.Add CW1051ALNM\ALVM\ALXM	Kang	Jun

DISCLAIMER

CELLWISE reserves the right to make changes without further notices to any products herein to improve reliability, function or design. CELLWISE does not assume any liability arising out of the application or use of any product or circuit described herein; neither does it convey any license under its patent rights, nor the rights of others.

CELLWISE's products are not authorized for use as critical components in life support devices or systems without the express written approval of the president of CELLWISE corporation.

As used herein:

1. Life support devices or systems are devices or systems which, (a) are intended for surgical implant into the body, or (b) support or sustain life, and (c) whose failure to perform when properly used in accordance with instructions for use provided in the labeling, can be reasonably expected to result in a significant injury of the user.
2. A critical component in any component of a life support device or system whose failure to perform can be reasonably expected to cause the failure of the life support device or system, or to affect its safety or effectiveness.