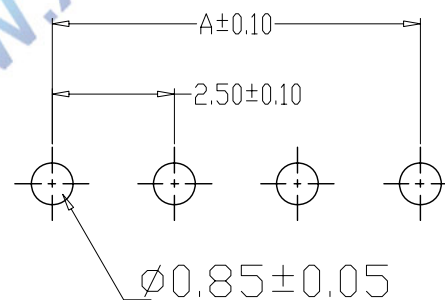
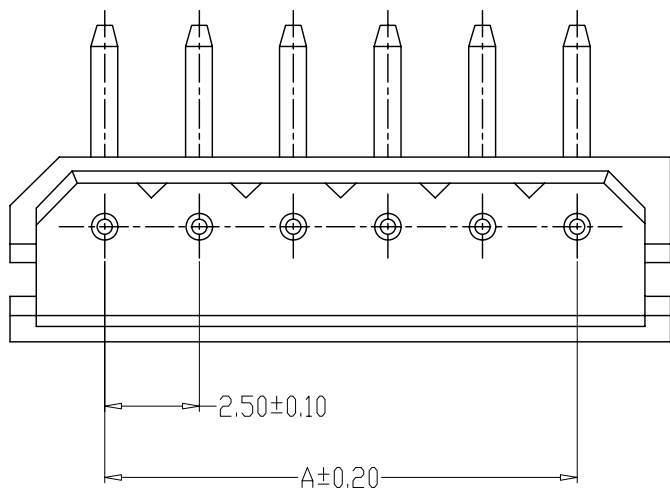
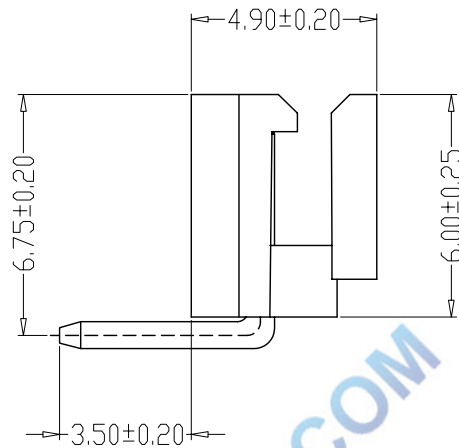
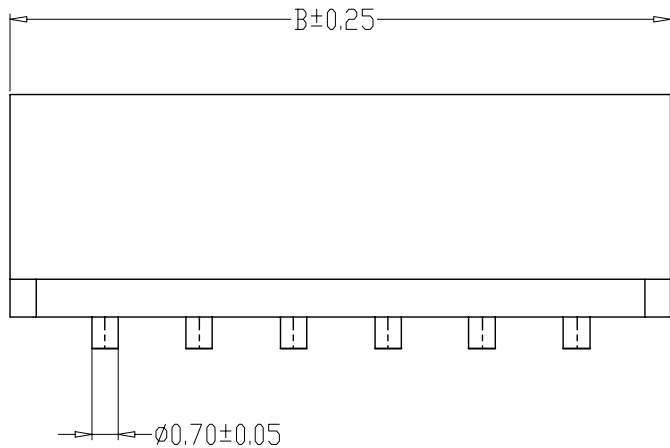


环保物料

TEL:0769-82001899



PCB LAYOUT

SPECIFICATIONS

- 1.Voltage rating: 250V AC, DC
- 2.Current rating: 3A, AC, DC
- 3.Withstanding Voltage: 1000V AC/minute
- 4.Insulation resistance:1000M min
- 5.Temperature range: -25 °C~+85 °C
- 6.Contact resistance: 20m max

WAFER

Housing Material: Nylon UL 94V0 (2)

Pin Material: Brass

Contact Area Plating: Tin-Plated

Mates with :P5264 series headers

Poles:02-20P

Part No.: M5264R-xx-N0

Pin位数

| 编 号 | 尺寸 (mm) |       |
|-----|---------|-------|
|     | A       | B     |
| 02  | 2.50    | 7.50  |
| 03  | 5.00    | 10.00 |
| 04  | 7.50    | 12.50 |
| 05  | 10.00   | 15.00 |
| 06  | 12.50   | 17.50 |
| 07  | 15.00   | 20.00 |
| 08  | 17.50   | 22.50 |
| 09  | 20.00   | 25.00 |
| 10  | 22.50   | 27.50 |
| 11  | 25.00   | 30.00 |
| 12  | 27.50   | 32.50 |
| 20  | 47.50   | 52.50 |

WWW.XFCONN.COM

|  |  |  |  |                            |       |       |        |   |              |                               |      |
|--|--|--|--|----------------------------|-------|-------|--------|---|--------------|-------------------------------|------|
|  |  |  |  | TOLERANCE UNLESS OTHERWISE |       | DRAWN | CK tan | XFCN兴飞连接器有限公司<br>CONNECTORS XFCN CONNECTORS CO., LTD. |              | SHEET                         | 1/1  |
|  |  |  |  | X.                         | ±0.30 | X°    | ±5°    |   |              | CHKD                          | DATE |
|  |  |  |  | .X                         | ±0.20 | .X°   | ±2°    | APPD  | PRODUCT NAME | 2.50mm Crimp Style Connectors |      |
|  |  |  |  | .XX                        | ±0.08 | .XX°  | ±1°    | VIEW  | PART. NO.    | M5264R-xx-N0                  |      |
|  |  |  |  | .XXX                       | ±0.03 | .XXX° | ±0.5°  |   |              | UNITS                         | mm   |
|  |  |  |  | MODIFICATION               |       | DRAW  |        |   |              | SCALE                         | 1:1  |
|  |  |  |  | DATE                       |       |       |        |   |              | DWG NO.                       | 009  |