



**ROHS**

## SPECIFICATION OF PRODUCT

### 承认书

CUSTOMER: \_\_\_\_\_

DESCRIPTION: Magnetic Buzzer

FUSHENG P/N: FMB12A24

CUSTOMER P/N: \_\_\_\_\_

DATE: 2018-8-28

CUSTOMER	APPROVER	CHECKER
	Yunqing Wu	Bing Yan

地址:江苏省泰州市海陵区凤凰西路 168 号

电话: 0086-523-86219066 传真: 0086-523-81601108

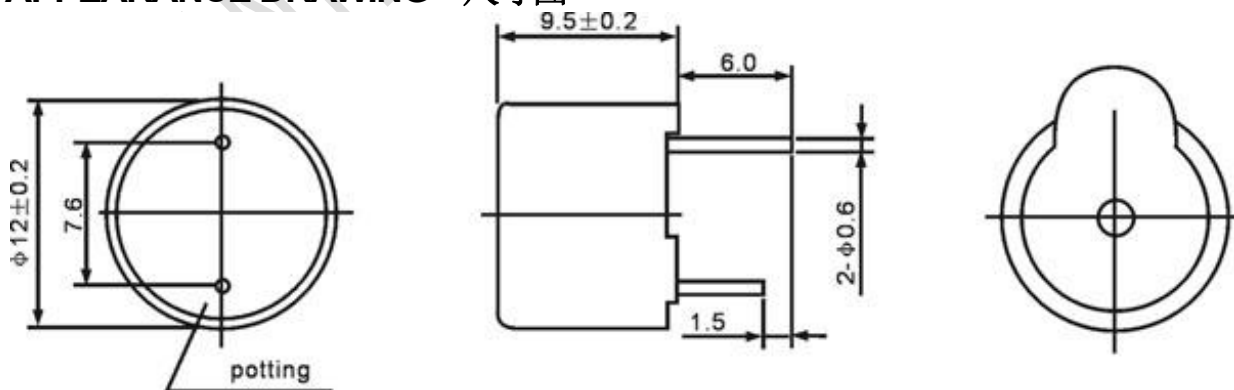
邮箱: sales@electronic-tech.cn

网址: [www.tzfsdz.com](http://www.tzfsdz.com)

## 1.SPECIFICATION 规格

No.	Item	Unit	Specification	Condition
1	Oscillation Frequency	Hz	2700±300	
2	Operating Voltage	VDC	18-26	
3	Rated Voltage	VDC	24	
4	Current Consumption	mA	MAX. 30	at Rated Voltage
5	Sound Pressure Level	dB	MIN. 80	at 10cm at Rated Voltage
6	Operating Temperature	°C	-20 ~ +70	
7	Storage Temperature	°C	-30 ~ +80	
8	Dimension	mm	12 x H 9.5	See appearance drawing
9	Weight (MAX)	gram	1.8	
10	Housing Material		PBT( Black )	
11	Leading Pin		Tin Plated Brass(Sn)	See appearance drawing
12	Environmental Protection Regulation		RoHS	

## 2. APPEARANCE DRAWING 尺寸图



Tol : ± 0.5 Unit: mm

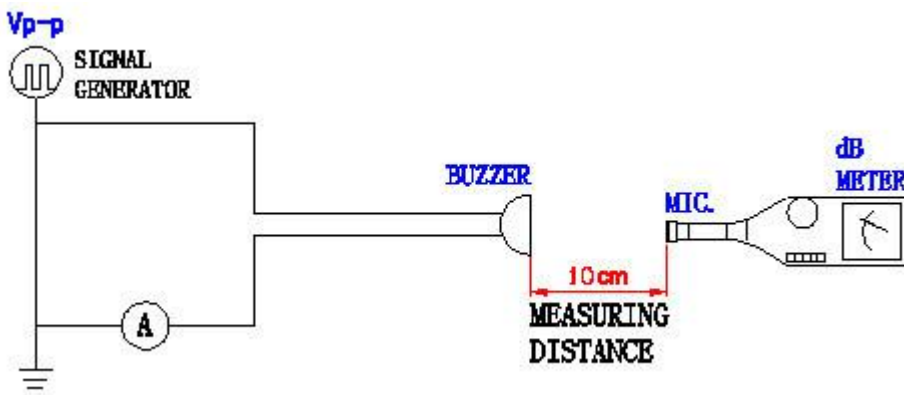
### 3. TESTING METHOD

Standard Measurement conditions

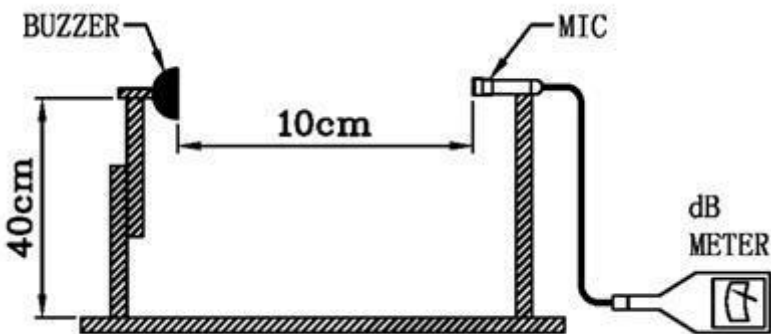
Temperature:  $25 \pm 2^\circ\text{C}$  Humidity: 45-65%

Acoustic Characteristics:

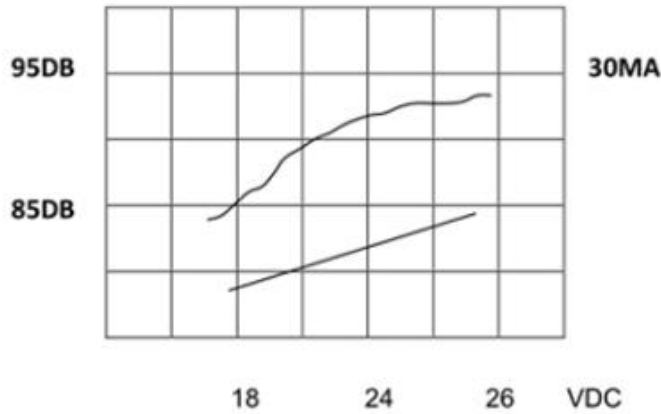
The oscillation frequency, current consumption and sound pressure are measured by the measuring instruments shown below



In the measuring test, buzzer is placed as follows:



### 4. VOLTAGE / CURRENT / SOUND PRESSURE CHARACTERISTICS



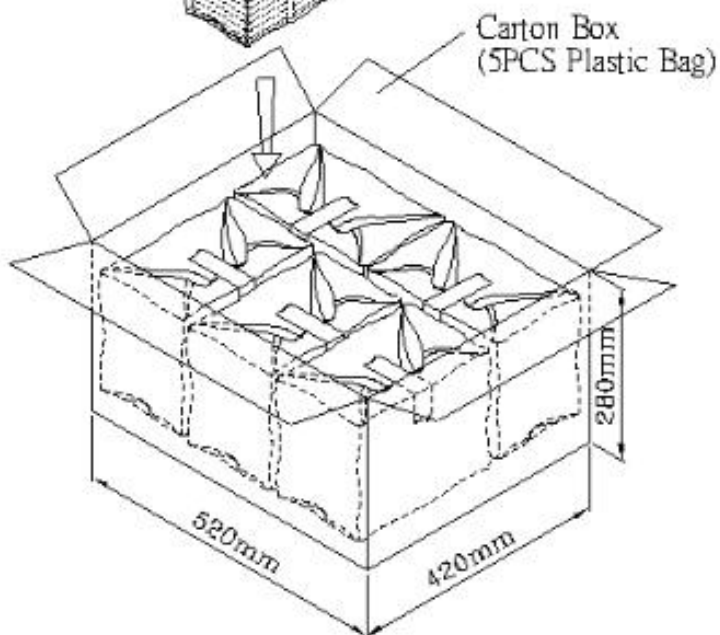
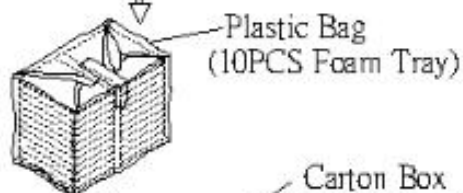
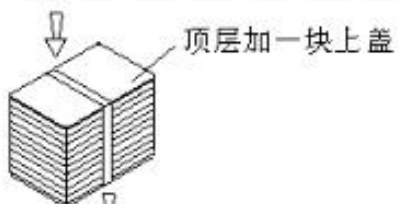
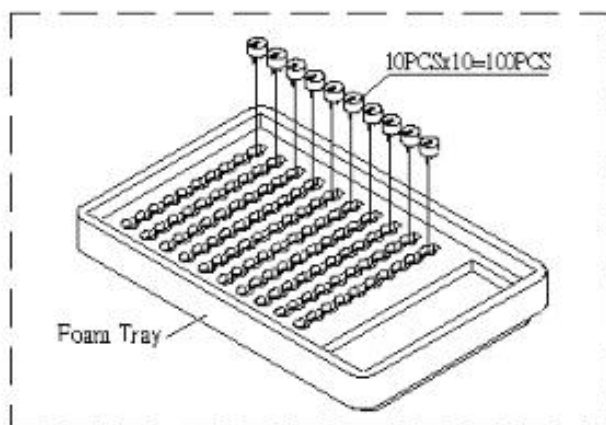
## 5. RELIABILITY TEST

项目 ITEM	测试方法 TEST
1 高温试验 High Temperature Test	在+80°C±2°C储存温度下存放 96 小时，恢复 2 小时后测试 After being placed in a chamber with +80±2°C for 96 hours and then being placed in normal condition for 2 hours
2 低温试验 Low Temperature Test	在-20°C±2°C储存温度下存放 96 小时，恢复 2 小时后测试 After being placed in a chamber with -20±2°C for 96 hours and then being placed in normal condition for 2 hours
3 恒定湿热试验 Humidity Test	
4 温度变化试验 Temperature Cycle Test	
5 振动试验 Vibration Test	
6 跌落试验 Drop Test	70cm 高自由掉落到 40mm 的木板上，每个方向三次 Drop on a hard wood board of 40mm thick, any directions, three times, at the height of 70cm
7 插针的抗拉强度试验 Terminal Strength Pulling Test	插针承受 1.0kg 拉力，负荷时间 5s The force 5 seconds of 1.0kg is applied to each terminal.

8 可焊性试验 Solder ability Test	焊锡温度 $255 \pm 5^{\circ}\text{C}$ ，浸润时间为 $3 \pm 0.5\text{s}$ ，试验后目测产品情况 Lead terminals are immersed in rosin for 5 seconds and then immersed in solder bath of $255 \pm 5^{\circ}\text{C}$ for $3 \pm 0.5$ seconds.
9 回流焊测试 Soldering Test	

6. PACKING STANDARD 包装

泰州福声电子科技有限公司



Foam Tray	240mmx160mmx30mm	1x100PCS=100PCS
Plastic Bag		10x100PCS=1000PCS
Carton Box	520mmx420mmx280mm	5x1000PCS=5,000PCS