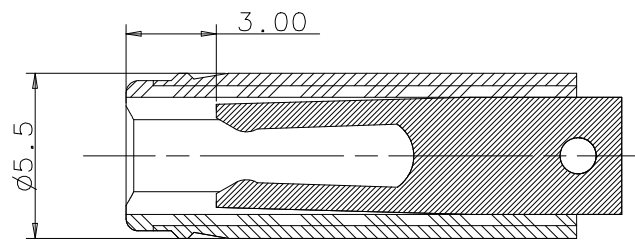
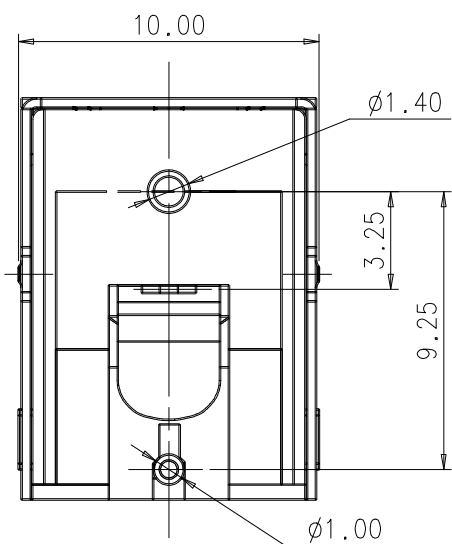
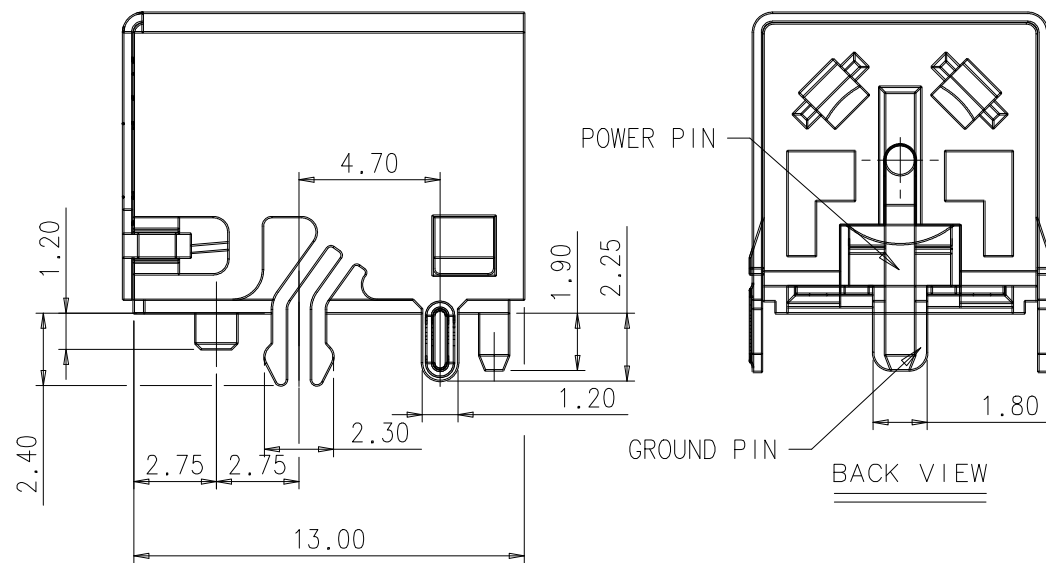
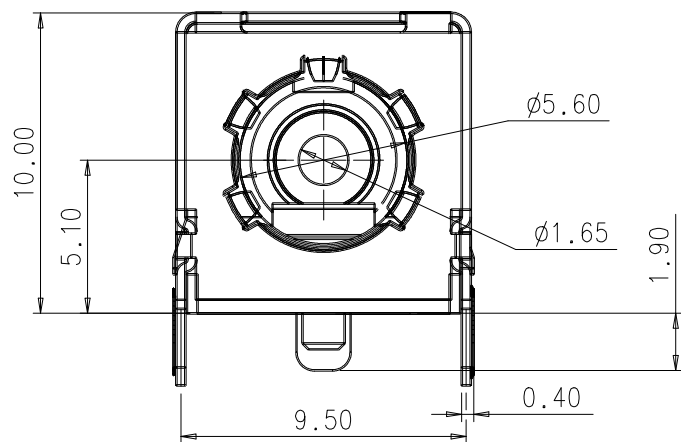
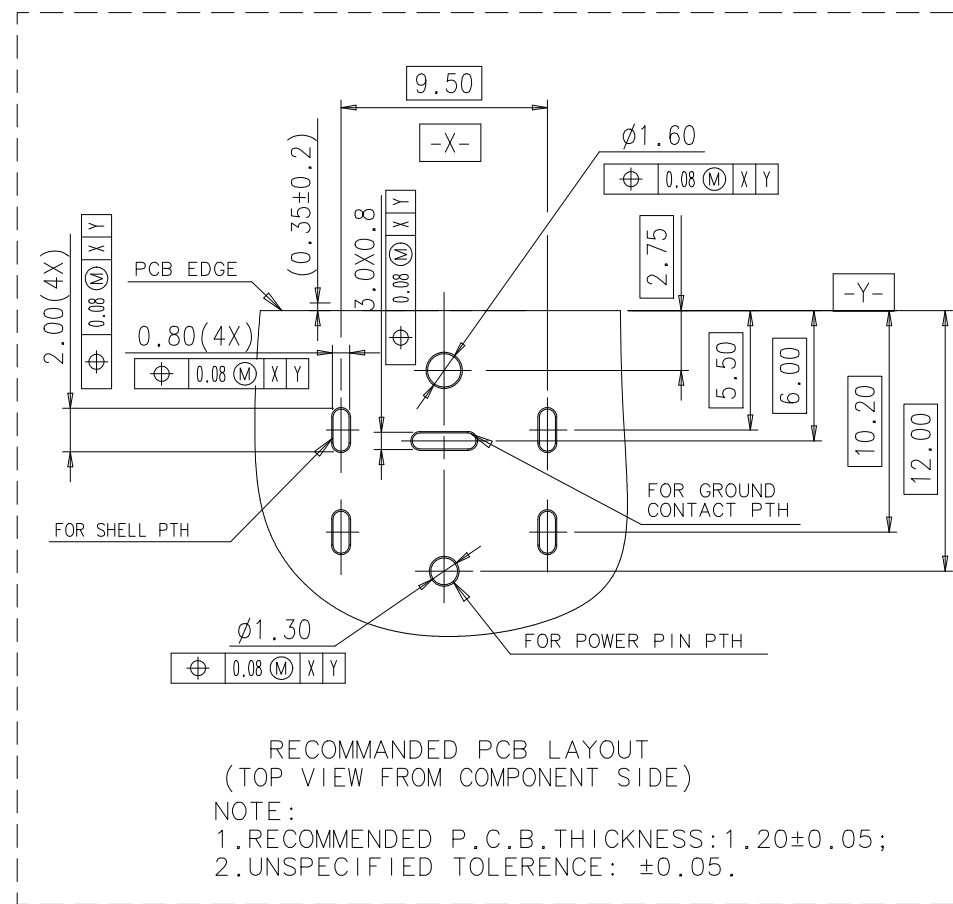
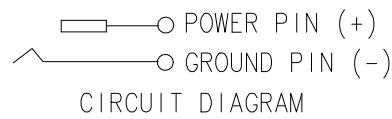
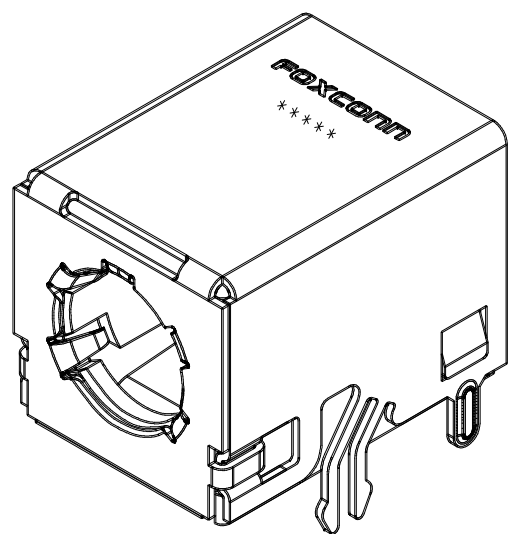
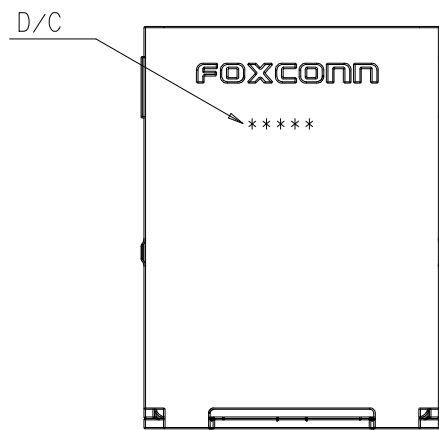


IDEAS GENERATED DRAWING, DON'T CHANGE BY HAND.

REV.	ECN. NO.	APPD.
A	BC-10-0099451	C.S.Li



RECOMMEND PLUG $\phi 5.5$

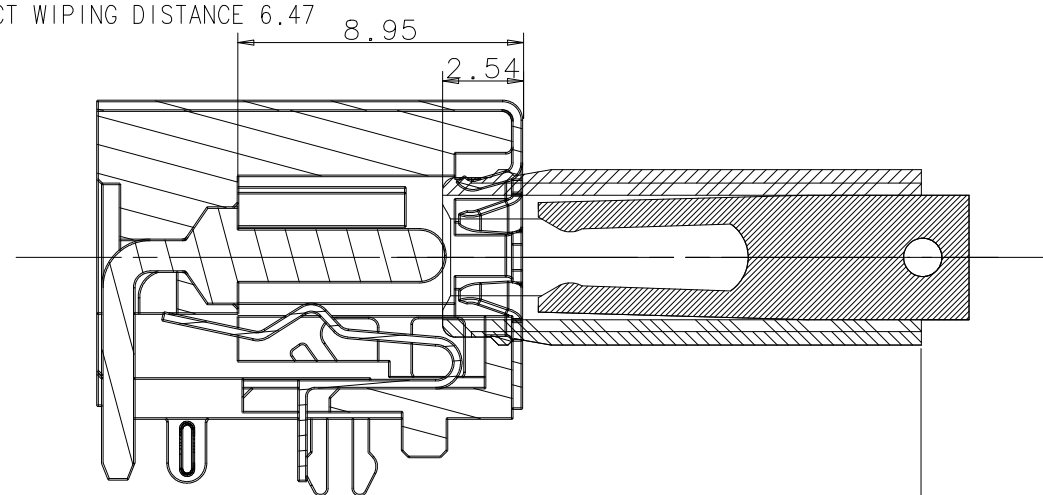
J P D 4 4 1-N 5 2 1 5-7 H
 DC POWER JACK —
 MALE RIGHT ANGLE —
 2 POLAR+1 FRONT FINGER PINS —
 CONTACT PLATING —
 HALOGEN FREE PROCESS —
 TAPE REEL PACKAGING —
 TAIL LENGTH —
 CENTER PIN DIAMETER —
 SERIES NUMBER —
 CENTER LINE HEIGHT —
 NORMAL J TYPE

X. ±	X°. ±	UNITS mm	NAME (INTENDED USE)	FOXCONN HON HAI PRECISION IND. CO., LTD. TAIPEI, TAIWAN, R.O.C.
.X ± 0.38	.X°	MAT'L	POWER JACK CONNECTOR	
.XX ± 0.25	.XX°	FINISH	PART NO. (INTENDED USE)	TITLE:
.XXX ±	.XXX° ±		JPD441-N5215-7H	CUSTOMER DRAWING
THESE DRAWINGS AND SPECIFICATIONS ARE THE PROPERTY OF HON HAI PRECISION IND. CO., LTD. AND SHALL NOT BE REPRODUCED COPIED OR USED IN ANY MANNER WITHOUT THE PRIOR WRITTEN CONSENT OF HON HAI PRECISION IND. CO., LTD.			APPD: C.S.Li 9/06'10	DWG NO.:
			Q'TY	CHKD: Bin Peng 9/06'10
			DR: Jun Wang 9/06'10	SCALE SHEET REV.
				N/A 1/3 A

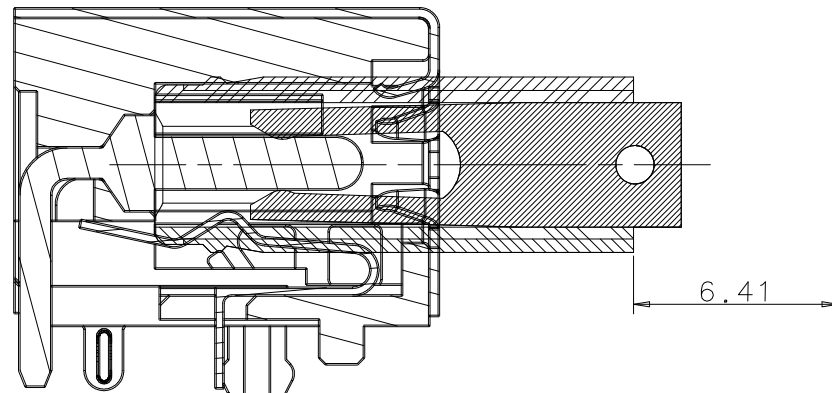
IDEAS GENERATED DRAWING. DON'T CHANGE BY HAND.

PLUG AND CONNECTOR MATING SECTION DRAWING

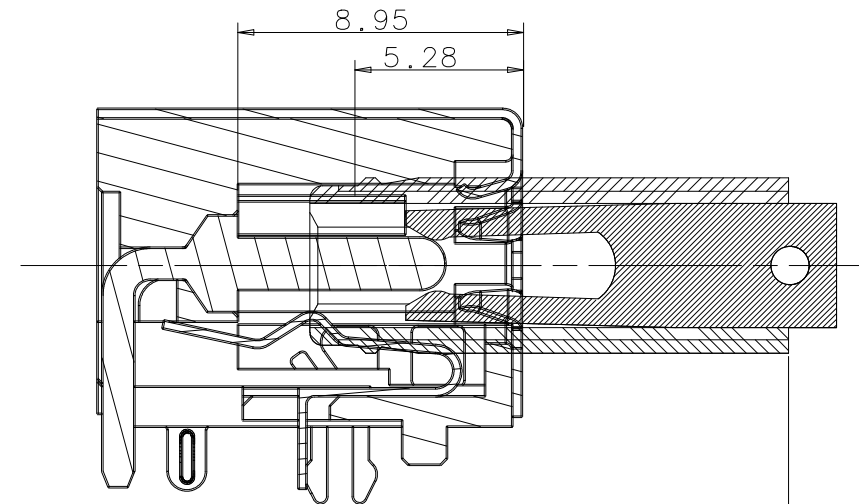
GROUND CONTACT WIPING DISTANCE 6.47



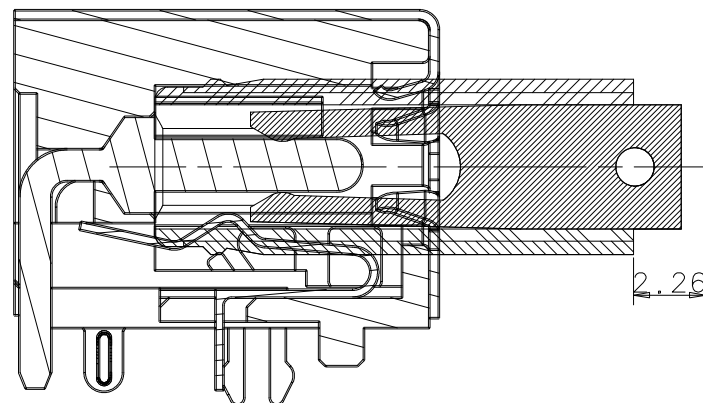
SHELL SPRING (GROUND CONTACT) BEGIN CONTACT PLUG OUTER SHELL (FIRSTLY)



POWER CONTACT WIPING DISTANCE 2.26



POWER CONTACT BEGIN CONTACT PLUG (FINALLY)



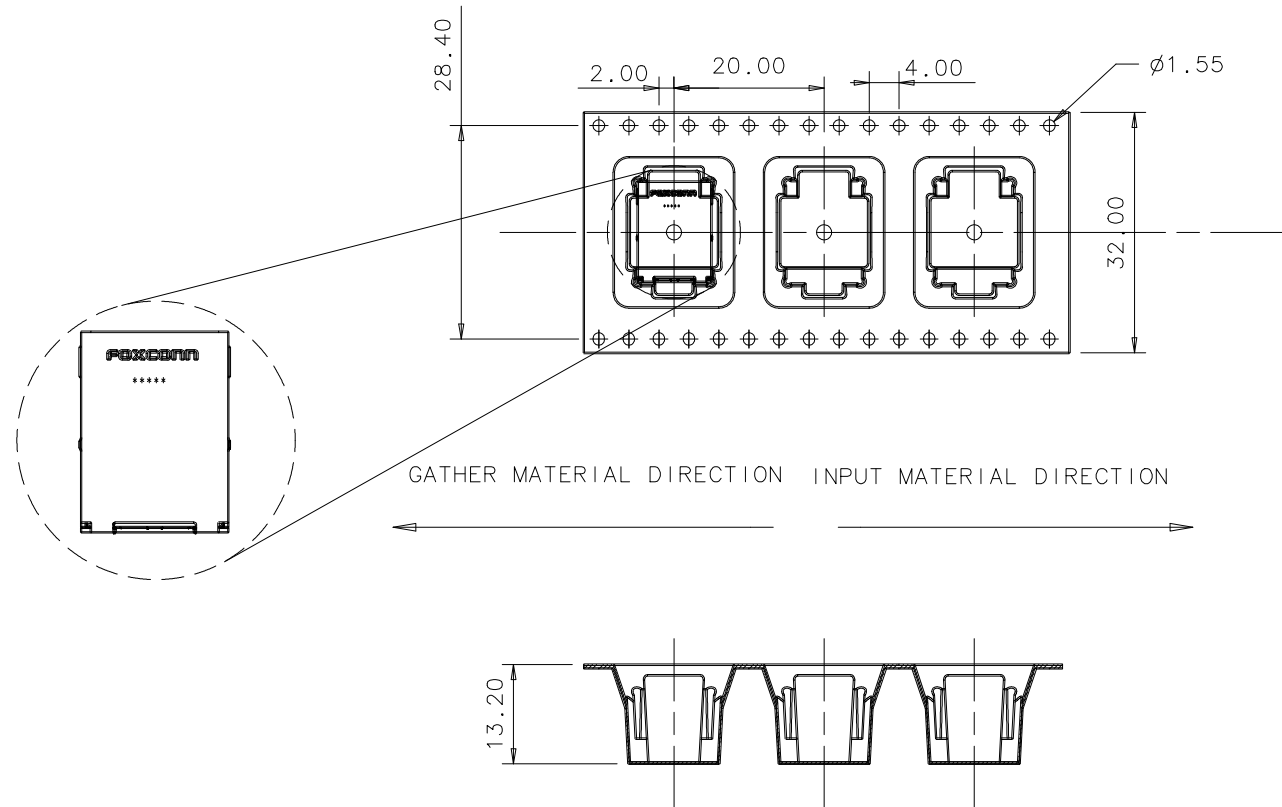
SPECIFICATION:

1. ELECTRICAL CHARACTERISTICS:
 - 1.1 CONNECTOR RATED CURRENT: 7A & 30°C MAX. ΔT OVER AMBIENT.
RATED VOLTAGE: 20V DC.
 - 1.2 INSULATION RESISTANCE: 100 MOHMS MIN INITIAL, 50 MOHMS MIN (AFTER HUMIDITY TEST) APPLY 500V DC ON MATED AND UNMATED CONNECTORS.
 - 1.3 DIELECTRIC WITHSTANDING VOLTAGE: CURRENT LEAKAGE: 0.50 mA MAX, APPLY 500V AC RMS AT SEA LEVEL CONTACT TO CONTACT.
 - 1.4 CONTACT RESISTANCE: 30 mOHMS MAX (INITIAL), ΔR < 20 mOHMS MAX (FINAL).
2. MECHANICAL CHARACTERISTICS:
 - 2.1 INSERTION FORCE: 2.94-29.4 N; EXTRACTION FORCE: 2.94-29.4 N.
 - 2.2 DURABILITY (INSERTION/EXTRACTION CYCLES): 5000 CYCLES.
3. P.C.B. LAYOUT DRAWING DIMENSION
DEFAULT TOLERANCE: ±0.05mm
4. PLEASE CONTACT FOXCONN SALES REPRESENTATIVE TO VERIFY PRODUCT DETAILS & AVAILABILITY.
5. REMARK: MOISTURE SENSITIVE DEVICE MSL6-AFTER PACKAGING HAS BEEN OPENED 8 HOURS. PARTS MUST BE BAKED FOR MIN 5 DAYS AT 40°C & < 5% RH.

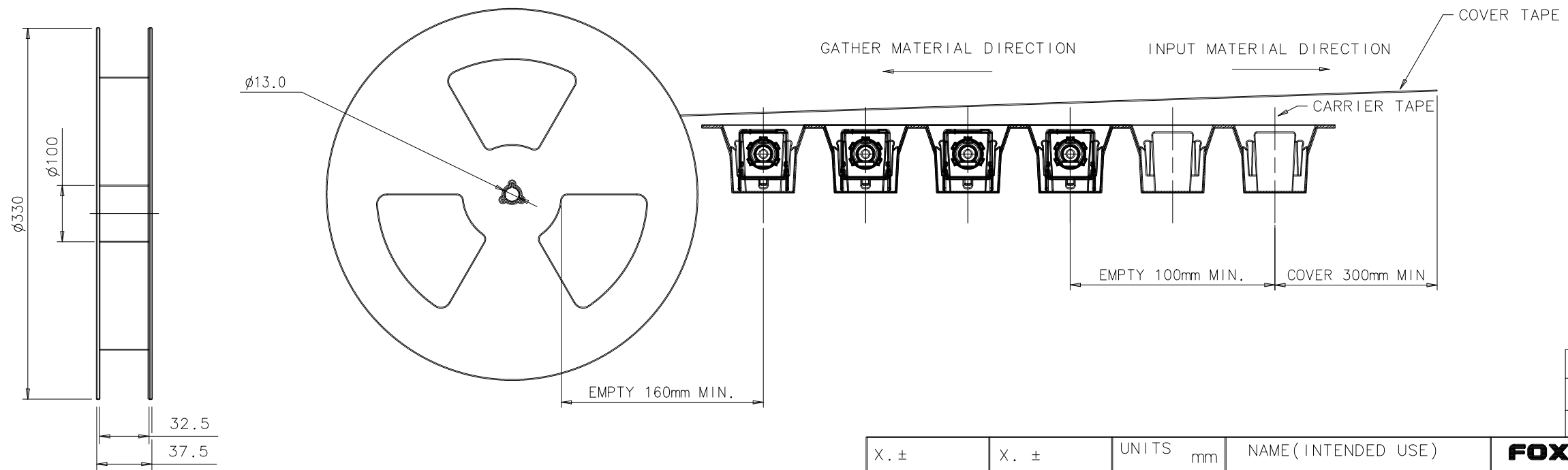
X. ±	X. ±	UNITS	mm	NAME (INTENDED USE)	FOXCONN HON HAI PRECISION IND. CO., LTD. TAIPEI, TAIWAN, R.O.C.		
.X ± 0.38	.X ° ±	MAT'L		POWER JACK CONNECTOR			
.XX ± 0.25	.XX ° ±			PART NO. (INTENDED USE)	TITLE:		
.XXX ±	.XXX ° ±	FINISH		JPD441-N5215-7H	CUSTOMER DRAWING		
THESE DRAWINGS AND SPECIFICATIONS ARE THE PROPERTY OF HON HAI PRECISION IND. CO., LTD. AND SHALL NOT BE REPRODUCED, COPIED OR USED IN ANY MANNER WITHOUT THE PRIOR WRITTEN CONSENT OF HON HAI PRECISION IND. CO., LTD.				APPD: c.S.Li 9/06'10	DWG NO.:		
				CHKD: Bin Peng 9/06'10	305-0000-4498		
				DR: Jun Wang 9/06'10			
					SCALE	SHEET	REV.
					N/A	2/3	A

IDEAS GENERATED DRAWING, DON'T CHANGE BY HAND.

DRAW (1) CARRIER TAPE



DRAW (2) TAPE & REEL PACKAGE



PCS/REEL	250
REEL/BOX	10
PCS/BOX	2500

X. ±	X. ±	UNITS	mm	NAME (INTENDED USE)	FOXCONN HON HAI PRECISION IND. CO., LTD. TAIPEI, TAIWAN, R.O.C.	
.X ±	.X ° ±	MAT'L		POWER JACK CONNECTOR		
.XX ±	.XX ° ±			PART NO. (INTENDED USE)	TITLE:	
.XXX ±	.XXX ° ±	FINISH		JPD441-N5215-7H	CUSTOMER DRAWING	
THESE DRAWINGS AND SPECIFICATIONS ARE THE PROPERTY OF HON HAI PRECISION IND. CO., LTD. AND SHALL NOT BE REPRODUCED, COPIED OR USED IN ANY MANNER WITHOUT THE PRIOR WRITTEN CONSENT OF HON HAI PRECISION IND. CO., LTD.				APPD: C.S.Li 9/06'10	DWG NO.:	
				CHKD: Bin Peng 9/06'10	305-0000-4498	
				DR: Jun Wang 9/06'10		
				SCALE	SHEET	REV.
				N/A	3/3	A