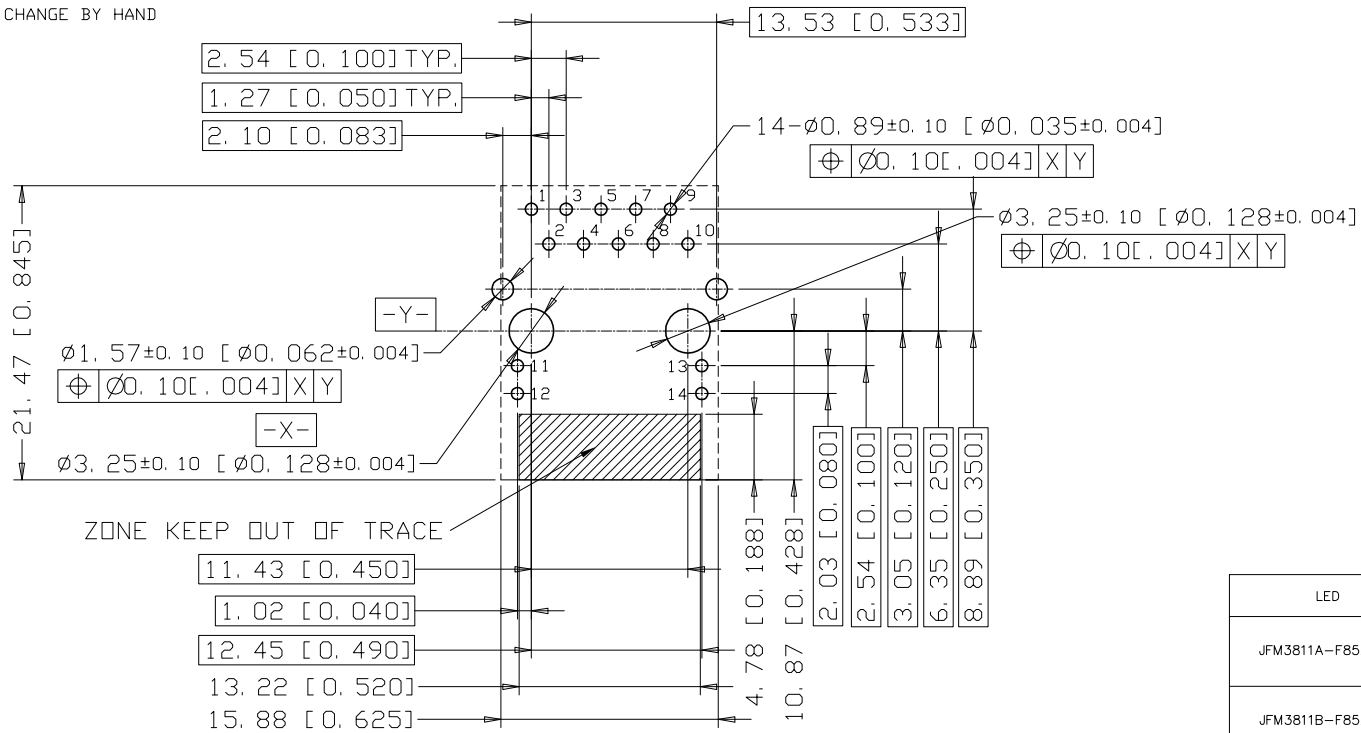


NOTES: UNLESS OTHERWISE SPECIFIED

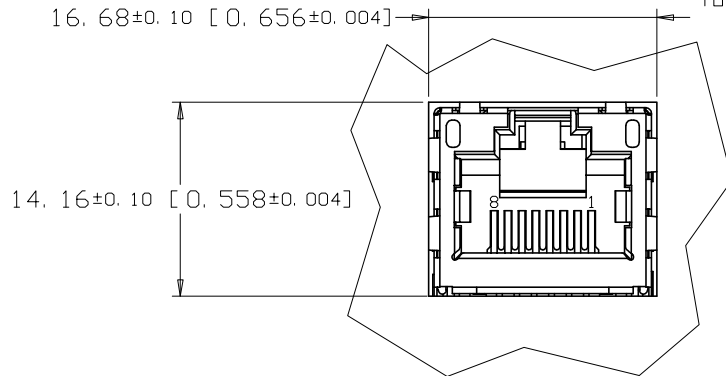
- CONNECTOR TO COMPLY WITH CFR TELECOMMUNICATION STANDARD PART 68. SUBPART F.
- PC BOARD SURFACE PLANE (\square -Z- \square).
- RECOMMENDED USE CONDITION
 - THE ASSEMBLY OF THE CONNECTOR TO BE MADE, WITHIN 1WEEK AFTER TAKING OFF A SEAL.
 - RECOMMENDED SOLDERING TYPE : WAVE SOLDERING, RECOMMENDED TEMPERATURE: 265±5°C, 5SECOND

X. ± /	X*. ± /	UNITS MM [INCH]	NAME (INTENDED USE)	FOXCONN	
.X ± 0.30 [0.012]	.X* ± /	MAT'L	CUSTOMER	HON HAI PRECISION IND. CO., LTD. TAIPEI, TAIWAN, R.O.C.	
.XX ± 0.25 [0.010]	.XX* ± /	FINISH	PART NO. (INTENDED USE)	TITLE:	
.XXX ± /	.XXX* ± /	Q'TY	JFM3811*-F852-4F	0.85" RJ45 1X1 GIGABIT CONNECTOR	
THESE DRAWINGS AND SPECIFICATIONS ARE THE PROPERTY OF HON HAI PRECISION IND. CO., LTD. AND SHALL NOT BE REPRODUCED COPIED OR USED IN ANY MANNER WITHOUT THE PRIOR WRITTEN CONSENT OF HON HAI PRECISION IND. CO., LTD.			APPD: L. C. WU 12/17' 10	DWG NO.:	
			CHKD: D. K. ZHANG 12/17' 10	305-0000-4548	
			DR: Y. T. DUAN 12/17' 10		
			SCALE	SHEET	REV.
			N/A	1/5	X2

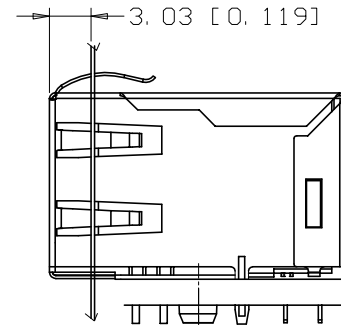


ZONE KEEP OUT OF TRACE

RECOMMENDED PCB FOOTPRINT
TOP VIEW (COMPONENT SIDE)



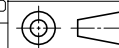
RECOMMENDED PANEL OPENING
14.16 [0.557] HIGH BY 16.68 [0.657] WIDE



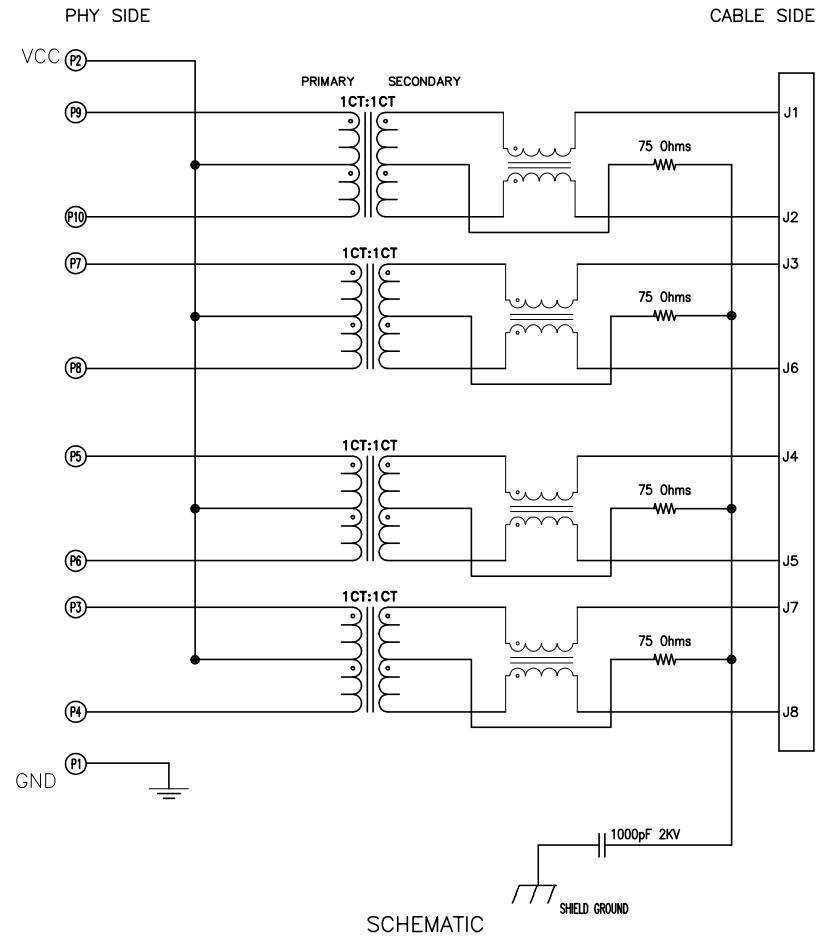
LED	LED 1	LED 2
	11 ∅12	13 ∅14
JFM3811A-F852-4F	GREEN	YELLOW GREEN
JFM3811B-F852-4F	ORANGE GREEN	YELLOW
JFM3811H-F852-4F	ORANGE	GREEN
JFM3811E-F852-4F	GREEN YELLOW	GREEN
JFM3811F-F852-4F	GREEN	ORANGE GREEN
JFM3811G-F852-4F	YELLOW	ORANGE GREEN
JFM3811*-F852-4F (*=1~9)		

THE SPECIFIC COLOUR REFERS TO PAGE 5/5

X. ± /	X°. ± /	UNITS MM [INCH]	NAME (INTENDED USE)	FOXCONN HON HAI PRECISION IND. CO., LTD. TAIPEI, TAIWAN, R.O.C.
.X ± 0.10 [0.004]	.X° ± /	MAT'L	CUSTOMER	
.XX ± 0.08 [0.003]	.XX° ± /	FINISH	PART NO. (INTENDED USE)	TITLE:
.XXX ± /	.XXX° ± /		JFM3811*-F852-4F	JFM3811*-F852-4F
THESE DRAWINGS AND SPECIFICATIONS ARE THE PROPERTY OF HON HAI PRECISION IND. CO., LTD. AND SHALL NOT BE REPRODUCED COPIED OR USED IN ANY MANNER WITHOUT THE PRIOR WRITTEN CONSENT OF HON HAI PRECISION IND. CO., LTD.			APPD:	DWG NO.:
			L. C. WU 12/17' 10	305-0000-4548
			CHKD:	
			D. K. ZHANG 12/17' 10	SCALE SHEET REV.
			DR: Y. T. DUAN 12/17' 10	N/A 2/5 X2



SCHEMATIC



SCHEMATIC

ELECTRICAL SPECIFICATIONS @ 25°C UNLESS OTHERWISE NOTED:

INDUCTANCE:	350uH MIN. , @100kHz, 0.1VRMS, 8mA DC, L<PRIMARY>.
DIELECTRIC RATING	1500VRMS MIN.
IL (INSERTION LOSS)	-0.5dB MAX. , @1MHz - 60MHz. -1.2dB MAX. , @60MHz - 100MHz.
RL (RETURN LOSS):	-18dB MIN. , @1MHz - 40MHz -12+20Log(f/80MHz)dB MIN. , @40MHz - 100MHz
CROSS TALK:	-35dB MIN. , @1MHz - 100MHz
CMR (COMMON MODE REJECTION):	-30dB MIN. , @1MHz - 100MHz

X. ± /	X°. ± /	UNITS	NAME (INTENDED USE)	FOXCONN HON HAI PRECISION IND. CO., LTD. TAIPEI, TAIWAN, R.O.C.
.X ±	.X° ± /	MAT'L	CUSTOMER	
.XX ±	.XX° ± /	FINISH	PART NO. (INTENDED USE)	TITLE: 0.85" RJ45 1X1 GIGABIT CONNECTOR
.XXX ± /	.XXX° ± /		APPD:	JFM3811*-F852-4F L. C. WU 12/17' 10
THESE DRAWINGS AND SPECIFICATIONS ARE THE PROPERTY OF HON HAI PRECISION IND. CO., LTD. AND SHALL NOT BE REPRODUCED COPIED OR USED IN ANY MANNER WITHOUT THE PRIOR WRITTEN CONSENT OF HON HAI PRECISION IND. CO., LTD.		Q'TY	CHKD:	
			DR: Y. T. DUAN 12/17' 10	

SPECIFICATIONS:

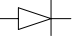
1. ELECTRICAL:

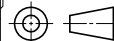
- 1.1 CURRENT RATING: 1.5 AMPERES MAX.
- 1.2 VOLTAGE RATING: 150 VAC
- 1.3 CONTACT RESISTANCE: 50 m Ω MAX.

2. MECHANICAL:

- 2.1 MATING FORCE: 4LBS MAX. WITH LATCH DEPRESSED AT AN ADVANTAGEOUS ANGLE.
- 2.2 DURABILITY (MATING/UNMATING): 1000 CYCLES
- 2.3 OPERATING TEMPERATURE: 0°C TO 70°C
- 2.4 INSERTION FORCE OF PCB RETENTION POSTS: 8.5LBS MAX.
- 2.5 FLAMMABILITY: UL94V-0

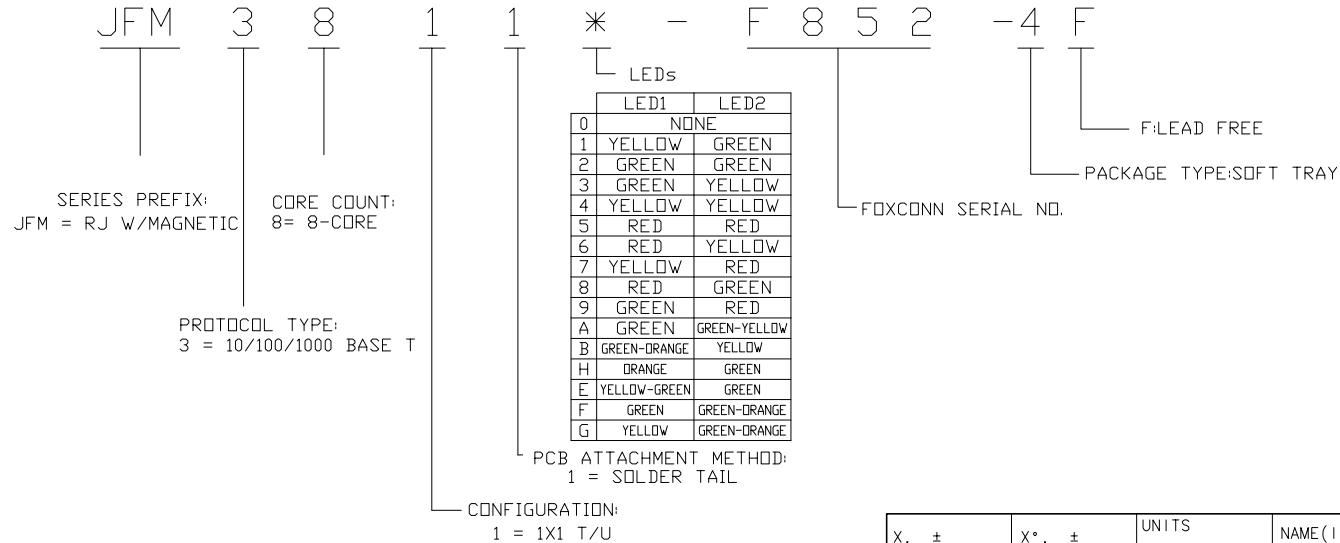
3. LED'S CHARACTERISTICS:

- 3.1 FROWARD VOLTAGE (20mA): 2.1 VOLTS TYPICAL
2.5 VOLTS MAX.
- 3.2 FROWARD DISSIPATION: 105mW MAX.
- 3.3 ANODE  CATHODE
- 3.4 LUMINOUS INTENSITY(20mA): 2-10MCD

X. \pm	X° \pm	UNITS	NAME (INTENDED USE)	FOXCONN
.X \pm	.X° \pm	MAT'L	CUSTOMER	HON HAI PRECISION IND. CO., LTD. TAIPEI, TAIWAN, R.O.C.
.XX \pm	.XX° \pm	FINISH	PART NO. (INTENDED USE)	TITLE: 0.85" RJ45 1X1 GIGABIT CONNECTOR
.XXX \pm	.XXX° \pm		JFM3811*-F852-4F	APPD: L. C. WU 12/17' 10
THESE DRAWINGS AND SPECIFICATIONS ARE THE PROPERTY OF HON HAI PRECISION IND. CO., LTD. AND SHALL NOT BE REPRODUCED COPIED OR USED IN ANY MANNER WITHOUT THE PRIOR WRITTEN CONSENT OF HON HAI PRECISION IND. CO., LTD.			Q'TY	DWG NO.: 305-0000-4548
			CHKD: D. K. ZHANG 12/17' 10	
DR: Y. T. DUAN 12/17' 10	N/A 4/5 X2			

ITEM	DESCRIPTION	QUANTITY	MATERIAL	TREATMENT	REMARK
1	HOUSING	1	HIGH TEMPERATURE THERMOPLASTIC UL 94V-0	BLACK	
2	SIGNAL CONTACT	8	PHOSPHOR BRONZE	50u" MIN GOLD AT CONTACT AREA 50u" MIN NICKEL UNDERPLATING	
3	SPACER	1	HIGH TEMPERATURE THERMOPLASTIC UL 94V-0	BLACK	
4	SOLDERTAILS	10	PHOSPHOR BRONZE	100u" MIN SATIN TIN AT SOLDERING AREA 50u" MIN NICKEL UNDERPLATING	
5	OUTER SHIELD	1	BRASS	50u" MIN. NICKEL UNDERPLATING GROUNDING TAIL 50u" MIN. SATIN TIN SELECT PLATING	
6	PCB	2	FR-4	NONE	
7	RESISTORS	1		4-75 OHM	
8	CAPACITORS	1		1000PF 2KVDC	
9	LED	2			

REMARK:



X. ±	X°. ±	UNITS	NAME (INTENDED USE)	FOXCONN HON HAI PRECISION IND. CO., LTD. TAIPEI, TAIWAN, R.O.C.
.X ±	.X° ±	MAT'L	CUSTOMER	
.XX ±	.XX° ±	FINISH	PART NO. (INTENDED USE)	TITLE: 0.85" RJ45 1X1 GIGABIT CONNECTOR
.XXX ±	.XXX° ±		JFM3811*-F852-4F	APPD: L. C. WU 12/17' 10
THESE DRAWINGS AND SPECIFICATIONS ARE THE PROPERTY OF HON HAI PRECISION IND. CO., LTD. AND SHALL NOT BE REPRODUCED COPIED OR USED IN ANY MANNER WITHOUT THE PRIOR WRITTEN CONSENT OF HON HAI PRECISION IND. CO., LTD.			Q'TY	CHKD: D. K. ZHANG 12/17' 10
				DR: Y. T. DUAN 12/17' 10
				SCALE SHEET REV. N/A 5/5 X2