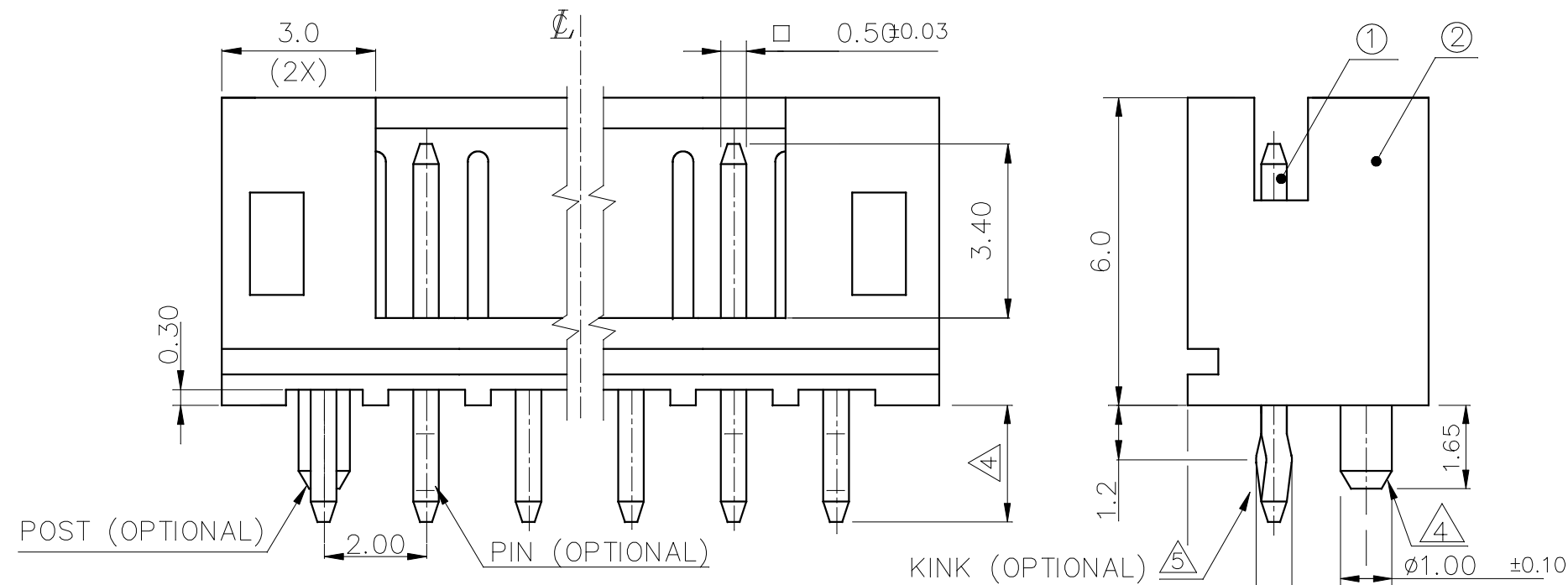
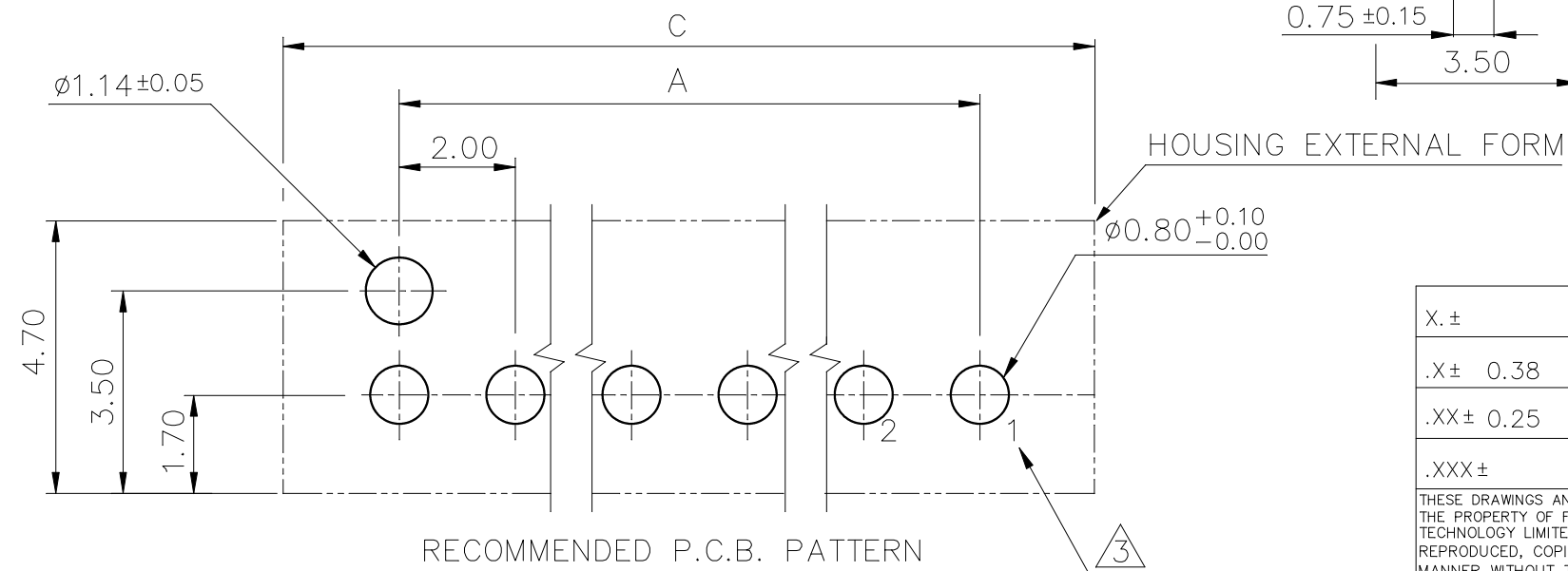


- NOTES:
- 1.DIMENSIONING SHALL BE INTERPRETED PER ASME Y14.5-2009.
 - 2.MATERIALS OF ① ② ③ OF THE PART NO. ARE SHOWN ON DRAWING: 307-0000-766.
 - ③ POSITION NO. FOR REFERENCE ONLY.
 - ④ PROD. NO. HF55 ** *- *****
SEE DWG NO. 307-0000-766
 - ⑤ KINK : 2~3 POS. THE 1ST & 2ND PINS OF TERMINALS ARE KINKED.
4~16 POS.THE 1ST & 2ND & N-1 PINS OF TERMINALS ARE KINKED.
 - 6.HARMFUL MATERIAL CONTROL PLEASE FOLLOW DOC. NO."EPI12".
 7. PLEASE CONTACT FOXCONN SALES REPRESENTATIVE TO VERIFY PRODUCT DETAILS & AVAILABILITY.
 8. THE CONCENTRATIONS OF BR&CL CAN SATISFY THE REQUIREMENTS OF HALOGEN-FREE IN DOCUMENT "EPI12"

REV.	ECN. NO.	APPD.
A	HC951163	I. K. Liu 7/20/95
B	HC951770	I. K. Liu 12/20/95
C	HC961718	I. K. Liu 11/15/96
D	HC961890	I. K. Liu 12/16'96
E	HC98179	I. K. Liu 1/16'98
F	HC98128	I. K. Liu 5/06'98
G	HC982141	DICK LEE 8/20'98
H	BC04724743	DICK LEE 2/4'99
J	HC053147	ADY ZHOU 3/30'05
K	HC-06-2114	Jake Yuan4/4'06
L	BC-09-7002978	Jake W.Yuan
M	BC-15-0048532	Shih-Wei Hsiao
N	BC-17-0048555	Shih-Wei Hsiao



HF5516* -*****	16	30.00	33.0	34.0
HF5515* -*****	15	28.00	31.0	32.0
HF5514* -*****	14	26.00	29.0	30.0
HF5513* -*****	13	24.00	27.0	28.0
HF5512* -*****	12	22.00	25.0	26.0
HF5511* -*****	11	20.00	23.0	24.0
HF5510* -*****	10	18.00	21.0	22.0
HF5509* -*****	9	16.00	19.0	20.0
HF5508* -*****	8	14.00	17.0	18.0
HF5507* -*****	7	12.00	15.0	16.0
HF5506* -*****	6	10.00	13.0	14.0
HF5505* -*****	5	8.00	11.0	12.0
HF5504* -*****	4	6.00	9.0	10.0
HF5503* -*****	3	4.00	7.0	8.0
HF5502* -*****	2	2.00	5.0	6.0
PROD. NO.	NO. OF POS.	DIM. A	DIM. B	DIM. C

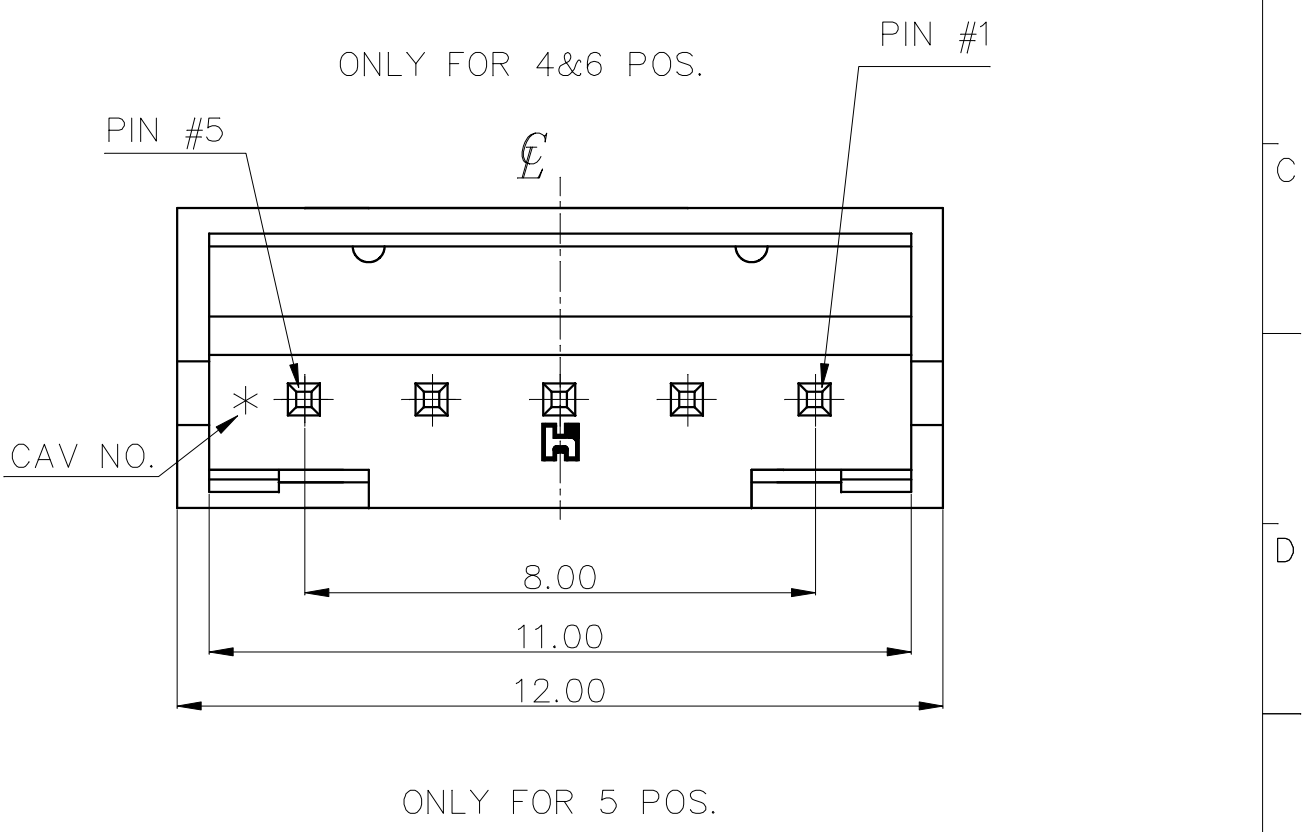
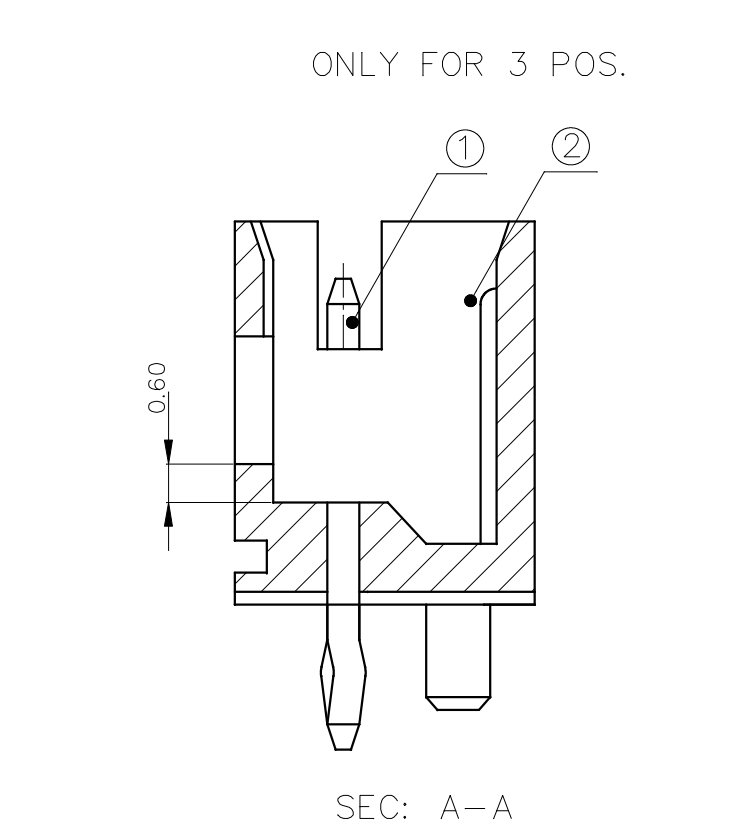
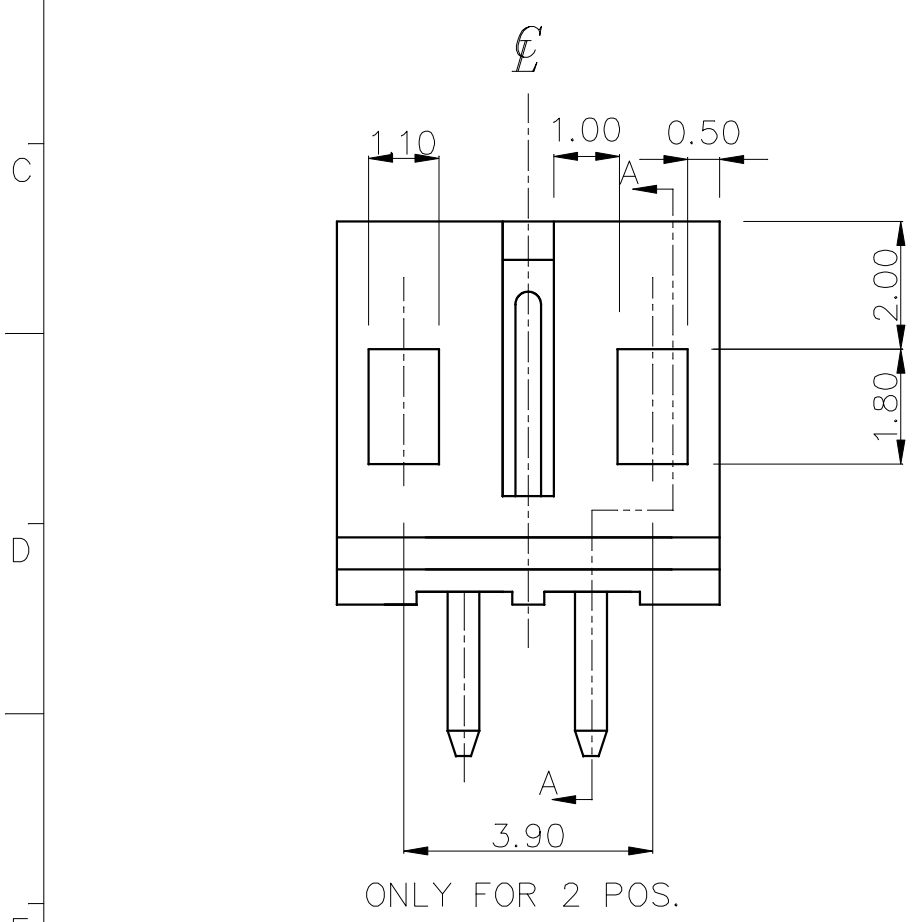
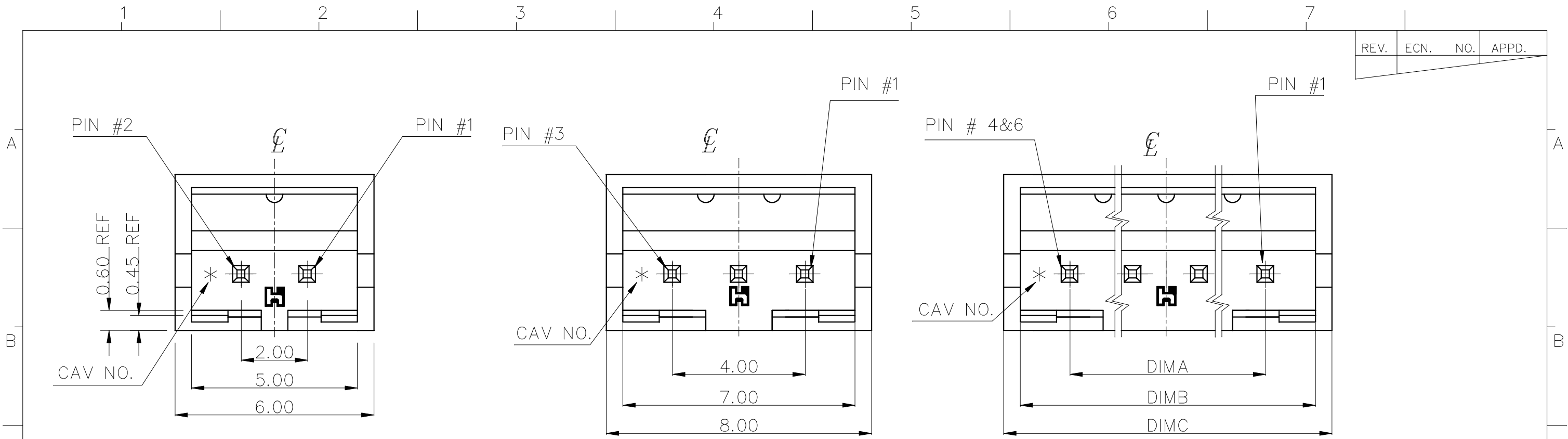


X.±	X.*±	UNITS	mm
.X± 0.38	.X*±	MAT'L	
.XX± 0.25	.XX*±		
.XXX±	.XXX*±	FINISH	
THESE DRAWINGS AND SPECIFICATIONS ARE THE PROPERTY OF FOXCONN INTERCONNECT TECHNOLOGY LIMITED AND SHALL NOT BE REPRODUCED, COPIED OR USED IN ANY MANNER WITHOUT THE PRIOR WRITTEN CONSENT OF FOXCONN INTERCONNECT TECHNOLOGY LIMITED.			
		Q'TY	

NAME(INTENDED USE)	STRAIGHT PIN FRICTION LOCK, HEADER
PART NO.(INTENDED USE)	HF55 SERIES
APPD:	Shih-Wei Hsiao
CHKD:	Yen-Chih Chang
DRAW:	Z.S YUE 04/13'17

FOXCONN® FOXCONN INTERCONNECT TECHNOLOGY LIMITED.		
CLASS: <input type="checkbox"/> CONFIDENTIAL <input type="checkbox"/> SECRET <input checked="" type="checkbox"/> GENERAL		
TITLE: CUSTOMER DRAWING		
DWG NO.: 307-0000-232		
	SCALE	SHEET
	N/A	1/2
		REV.
		N

REV.	ECN.	NO.	APPD.



X. ±	X.* ±	UNITS	mm	NAME(INTENDED USE) STRAIGHT PIN FRICTION LOCK, HEADER	FOXCONN® FOXCONN INTERCONNECT TECHNOLOGY LIMITED.			
.X ± 0.38	.X* ±	MAT'L						
.XX ± 0.25	.XX* ±			PART NO.(INTENDED USE) HF55 SERIES	CLASS: <input type="checkbox"/> CONFIDENTIAL <input type="checkbox"/> SECRET <input checked="" type="checkbox"/> GENERAL			
.XXX ±	.XXX* ±	FINISH		APPD: Shih-Wei Hsiao	TITLE: CUSTOMER DRAWING			
THESE DRAWINGS AND SPECIFICATIONS ARE THE PROPERTY OF FOXCONN INTERCONNECT TECHNOLOGY LIMITED AND SHALL NOT BE REPRODUCED, COPIED OR USED IN ANY MANNER WITHOUT THE PRIOR WRITTEN CONSENT OF FOXCONN INTERCONNECT TECHNOLOGY LIMITED.				Q'TY	DWG NO.: 307-0000-232			
					CHKD: Yen-Chih Chang	SCALE	SHEET	REV.
					DRAW: Z.S YUE 04/13'17	N/A	2/2	N

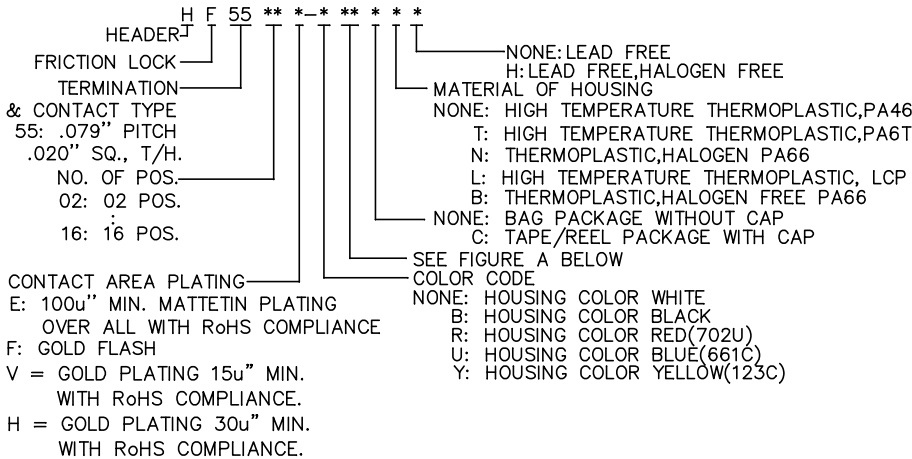
IDEAS GENERATED DRAWING. DON'T CHANGE BY HAND.

REV.	ECN. NO.	APPD.
A	HC951163	I. K. LIU 7/20'95
B	HC951770	I. K. LIU 12/20'95
C	HC961129	C. CHEN 8/09'96
D	HC961718	I. K. LIU 11/15'96
E	HC961818	C. CHEN 12/16'96
F	HC98179	Charles 1/7'98
G	HC99045	Dick Lee 2/04'99
H	HC991019	Dick Lee 3/30'99
J	MC001383	VICENT LAI 3/12'00
K	HC-04-11320	Ady Zhou 12/16'04
L	HC-06-7798	Ady Zhou 7/7'06
M	BC06774195	Yusan
N	BC07704970	Yusan
P	BC-08-7013012	Jake W.Yuan
Q	BC-08-7030972	Jake W.Yuan
R	BC-09-7092223	Yihsin Chen
S	BC-09-7119685	Yihsin Chen
T	BC-15-0048547	Shih-Wei Hsiao

ITEM	DESC.	Q'TY	MATERIAL	TREATMENT	REMARK
①	CONTACT	SAME AS No. OF POS. (SEE BELOW)	COPPER ALLOY BRASS	A) 50u" MIN. NICKEL UNDER PLATING OVER ALL B) MATTE TIN OR GOLD PLATING SEE NOTES BELOW	
②	HOUSING	1	THERMOPLASTIC, UL 94V-0	HOUSING COLOR (SEE BELOW)	
③	CAP	1	THERMOPLASTIC, UL 94V-0	HOUSING COLOR (BLACK)	

NOTES: (UNLESS OTHERWISE SPECIFIED)

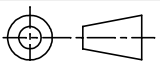
- HARMFUL MATERIAL CONTROL PLEASE FOLLOW FOXCONN'S DOC. "EPI12"
- THE CONCENTRATIONS OF BR&CL CAN SATISFY THE REQUIREMENTS OF HALOGEN-FREE IN DOCUMENT "EPI12"
- PRODUCT NO. MATRIX:



4. PLEASE CONTACT FOXCONN'S SALES REPRESENTATIVE TO VERIFY PRODUCT DETAIL & AVAILABILITY.

FIGURE A

CODE	DESCRIPTION			
	TAIL LENGTH	KINK	POST	MISSING PIN
NONE	3.40mm	YES	NONE	FULL PIN
P1	3.40mm	YES	YES	FULL PIN
P2	3.40mm	NO	YES	FULL PIN
P3	3.40mm	YES	NONE	POS. NO. 2
P5	3.40mm	NO	NONE	POS. NO. 2
P8	3.40mm	YES	NONE	POS. NO. 7
C1	2.16mm	NO	YES	FULL PIN
C2	2.16mm	NO	YES	POS. NO. 7
C3	2.16mm	NO	NO	FULL PIN
C4	1.80mm	NO	YES	FULL PIN
D5	3.40mm	YES	NONE	POS. NO. 3
D6	3.40mm	YES	NONE	POS. NO. 5
D7	3.40mm	YES	NONE	POS. NO. 4
D8	2.16mm	YES	NONE	FULL PIN
D9	2.40mm	YES	NONE	FULL PIN
P4	2.40mm	YES	YES	FULL PIN

X.±	X.° ±	UNITS mm	NAME(INTENDED USE) HEADER FRICTION	FOXCONN® FOXCONN INTERCONNECT TECHNOLOGY LIMITED.						
.X±	.X° ±	MAT'L	PART NO.(INTENDED USE) HF55 SERIES							
.XX±	.XX° ±	FINISH	APPD: Shih-Wei Hsiao	CLASS: <input type="checkbox"/> CONFIDENTIAL <input type="checkbox"/> SECRET <input checked="" type="checkbox"/> GENERAL						
.XXX±	.XXX° ±		Q'TY	CHKD: Yen-Chih Chang	MATERIAL SHEET TITLE: .079" PITCH, .020". SQ., T/H					
THESE DRAWINGS AND SPECIFICATIONS ARE THE PROPERTY OF FOXCONN INTERCONNECT TECHNOLOGY LIMITED. AND SHALL NOT BE REPRODUCED, COPIED OR USED IN ANY MANNER WITHOUT THE PRIOR WRITTEN CONSENT OF FOXCONN INTERCONNECT TECHNOLOGY LIMITED.				DWG NO.: 307-0000-766						
			DRAW: Betty.xl Liu 09/29'15	 <table border="1"> <tr> <td>SCALE</td> <td>SHEET</td> <td>REV.</td> </tr> <tr> <td>N/A</td> <td>1/1</td> <td>TX1</td> </tr> </table>	SCALE	SHEET	REV.	N/A	1/1	TX1
SCALE	SHEET	REV.								
N/A	1/1	TX1								

IDEAS GENERATED DRAWING. DON'T CHANGE BY HAND.

REV.	ECN. NO.	APPD.
A	HC951163	I.k.Liu 7/20'95
B	HC951286	I.k.Liu 8/30'95
C	HC956163	C.Chen 8'/09'96
D	BC0366329	I.k.Liu 10/17'97
E	BC06743809	Yusan 8/3'06
F	BC06776637	Yusan
G	BC-15-0048559	Shih-Wei Hsiao

SPECIFICATIONS:

1. PHYSICAL:

1-1. HOUSING:

THERMOPLASTIC, UL94V-0 ONLY FOR HF55***-***N;
HIGH TEMP. THERMOPLASTIC, UL94V-0 FOR OTHERS.

1-2. CONTACT: COPPER ALLOY, 30u" MIN. NICKEL UNDER PLATING OVER ALL; MATTE TIN OR GOLD PLATING OVER NICKEL OVER ALL (INCLUDE SOLDER AREA) WITH RoHS COMPLIANCE.

1-3. CAP, HIGH TEMP. THERMOPLASTIC, UL94V-0 .

2. ELECTRICAL CHARACTERISTICS:

2-1. CONTACT CURRENT RATING: 3 AMPERES MAX. PER POS.

2-2. DIELECTRIC WITHSTANDING VOLTAGE: 800V AC FOR 1 MINUTE AT SEA LEVEL.

2-3. INSULATION RESISTANCE: 1000 MEGOHMS MIN. INITIAL. SUPPLYING A CONSTANT 500V+/- 10% FOR 1 MINUTE.

3. MECHANICAL CHARACTERISTICS:

3-1. CONTACT RETENTION FORCE: 2.0 LBS(0.91kgf) MIN. PER POS.

3-2. INSERTING FORCE: 0.5Kg MAX. PER CONTACT;
WITHDRAW FORCE WITHOUT LATCH: 0.02Kg MIN. PER CONTACT;

3-3. DURABILITY: 30 CYCLES

3-4. HOUSING RETENTION FORCE: 2.0Kg MIN. AFTER IR SOLDERING FOR 04 POS.

4. ENVIRONMENTAL DATA:

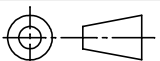
4-1. SOLDERABILITY: PASSED EIA-364-52.

4-2. OPERATION TEMPERATURE: -40°C TO +85°C .

4-3. HARMFUL MATERIAL CONTROL PLEASE FOLLOW FOXCONN'S DOC. "EPI12".

5. PLEASE CONTACT FOXCONN SALES REPRESENTATIVE TO VERIFY PRODUCT DETAIL & AVAILABILITY.

6. THE CONCENTRATIONS OF BR&CL CAN SATISFY THE REQUIREMENTS OF HALOGEN-FREE IN DOCUMENT "EPI12"

X.±	X.° ±	UNITS mm	NAME(INTENDED USE)	FOXCONN® FOXCONN INTERCONNECT TECHNOLOGY LIMITED.				
.X±	.X° ±	MAT'L	HEADER FRICTION					
.XX±	.XX° ±	FINISH	PART NO.(INTENDED USE)	CLASS: <input type="checkbox"/> CONFIDENTIAL <input type="checkbox"/> SECRET <input checked="" type="checkbox"/> GENERAL				
.XXX±	.XXX° ±		HF55 SERIES	APPD: Shih-Wei Hsiao	TITLE: 2.00mm PITCH, T/H, S/R			
THESE DRAWINGS AND SPECIFICATIONS ARE THE PROPERTY OF FOXCONN INTERCONNECT TECHNOLOGY LIMITED. AND SHALL NOTBE REPRODUCED, COPIED OR USED IN ANY MANNER WITHOUT THE PRIOR WRITTEN CONSENT OF FOXCONN INTERCONNECT TECHNOLOGY LIMITED.			Q'TY	CHKD: Yen-Chih Chang	DWG NO.: 307-0300-096			
			DRAW: Z.S YUE 03/21'17			SCALE	SHEET	REV.
					N/A	1/1	GX1	