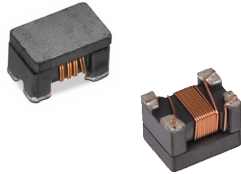


SCM Series
Common Mode Filter
Size 1210



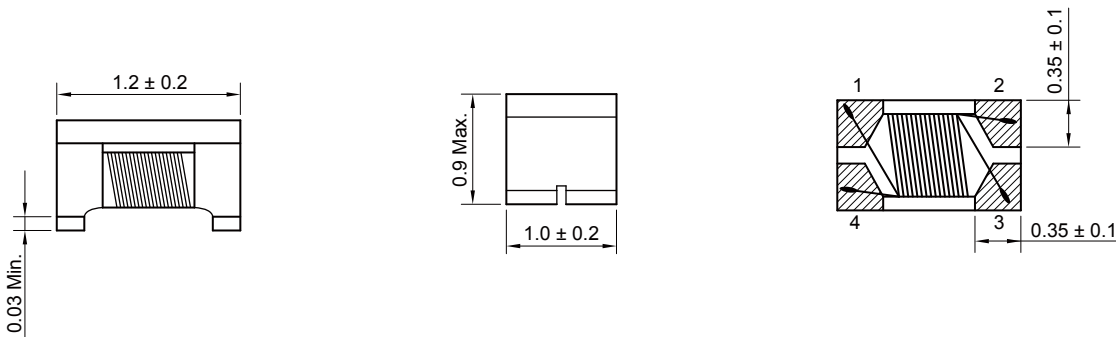
FEATURES

- High self-resonance frequency enables high cut-off frequency, wide band noise suppress in high frequency.
- Small size and low profile.
- Operating temperature -40~+125 °C (Including self - temperature rise)

FEATURES

- USB 3.0 lines
- AV interfaces, such as HDMI 1.3/1/4
- High-speed signal lines

Dimensions: [mm]



Schematic:

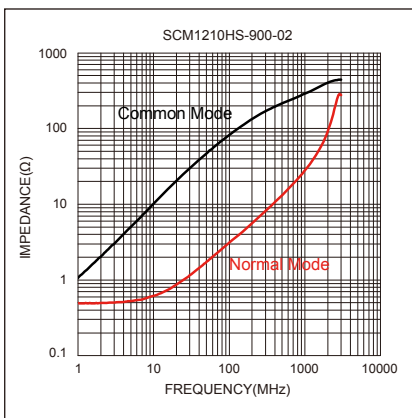
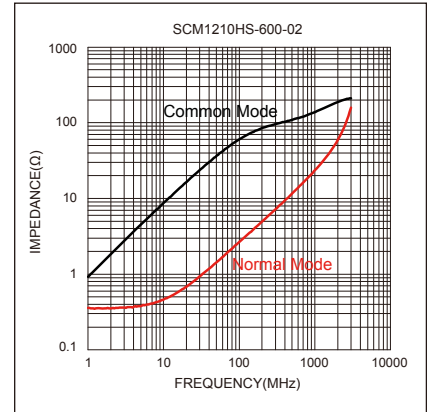
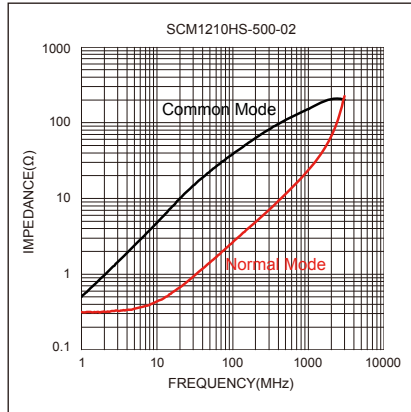
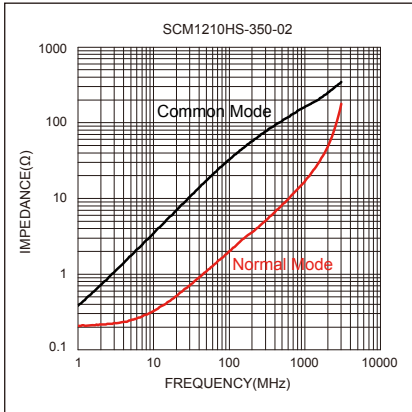


Electrical Properties:

Part No	Impedance @ 100 MHz (Ω)	Tolerance	DC Resistance Max. (Ω)	Rated Current Max. (mA)	Rated Volt (V)	Withstand Volt (V)	IR Min. (MΩ)
SCM1210HS-350-02	35	±25%	0.30	200	50	125	10
SCM1210HS-500-02	50	±25%	0.30	250	50	125	10
SCM1210HS-600-02	60	±25%	0.30	250	50	125	10
SCM1210HS-900-02	90	±25%	0.40	200	50	125	10

Typical Electrical Characteristics:

Impedance VS Frequency



Attenuation VS Frequency

