

NRSC Series
SMD Shielded Tiny Power Inductor
Size 4018



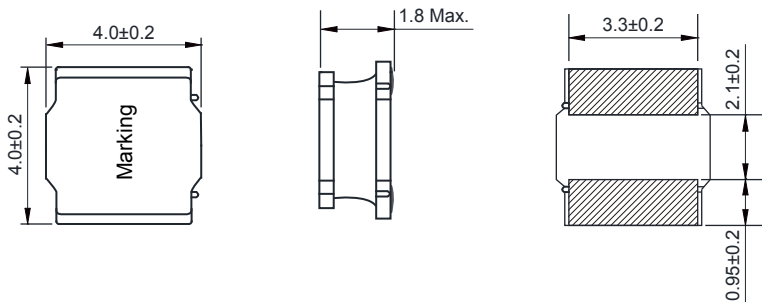
Features:

- Magnetic-resin shielded construction reduces buzz noise to ultra-low levels
- Metallization on ferrite core results in excellent shock resistance and damage-free durability
- Closed magnetic circuit design reduces leakage flux and Electro Magnetic Interference (EMI)
- 30% higher current rating than conventional inductors of equal size
- Takes up less PCB real estate and save more power
- Quantity: 3000 pcs

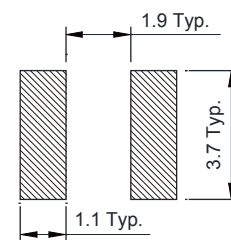
Application:

- LED Lighting
- Next-generation mobile devices with multifunction such as mobile TV and digital movie cameras
- Flat-screen TVs, blue-ray disc recorders, set top box
- Notebooks, desktop computers, servers, graphic cards cards
- Portable gaming devices, personal navigation systems, personal multimedia devices
- Automotive systems
- Telecomm base stations

Dimensions: [mm]



Land Pattern: [mm]



Electrical Properties:

Part No	Inductance (μH)	Tolerance	Saturation current (A)	Temperature Rise Current (A)	DCR ±30% (Ω)	S.R.F Min. (MHz)
NRSC4018-1R0N	1.0	±30%	4.80	2.00	0.025	80
NRSC4018-1R5N	1.5	±30%	3.35	1.80	0.030	65
NRSC4018-2R2M	2.2	±20%	2.70	1.65	0.045	52
NRSC4018-3R3M	3.3	±20%	2.45	1.23	0.070	44
NRSC4018-4R7M	4.7	±20%	1.70	1.20	0.090	34
NRSC4018-6R8M	6.8	±20%	1.45	1.06	0.110	29
NRSC4018-100M	10	±20%	1.30	0.84	0.180	24
NRSC4018-150M	15	±20%	0.94	0.65	0.250	19
NRSC4018-220M	22	±20%	0.80	0.59	0.360	16
NRSC4018-330M	33	±20%	0.56	0.49	0.530	12
NRSC4018-470M	47	±20%	0.57	0.42	0.650	10
NRSC4018-680M	68	±20%	0.47	0.32	1.000	8.3
NRSC4018-101M	100	±20%	0.40	0.25	1.750	6.5

Part No	Inductance (μH)	Tolerance	Saturation current (A)	Temperature Rise Current (A)	DCR ±30% (Ω)	S.R.F Min. (MHz)
NRSC4018-151M	150	±20%	0.31	0.22	2.500	5.5
NRSC4018-221M	220	±20%	0.27	0.17	4.000	4.0

Inductance tested at 100kHz, 1Vrms.

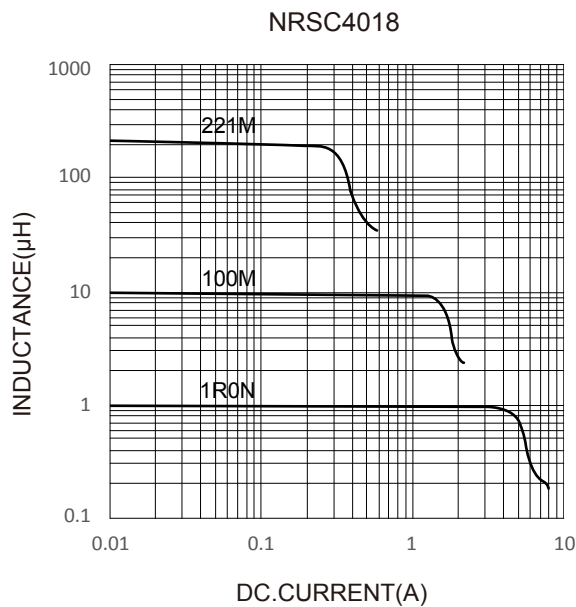
Operating temperature : -40°C ~ +125°C

Temperature rise current: the actual value of DC current when the temperature rise is ΔT40°C

Saturation Current that will cause initial inductance to drop approximately 30%

Typical Electrical Characteristics:

Inductance VS. DC.Current Characteristics:



Temperture Rise VS. DC.Current Characteristics:

