

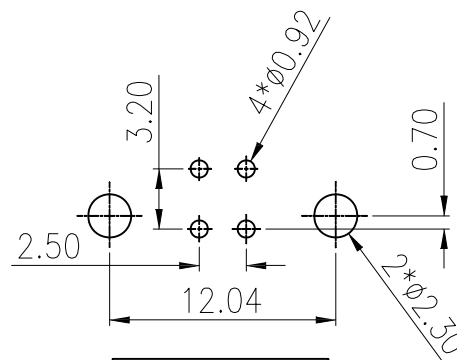
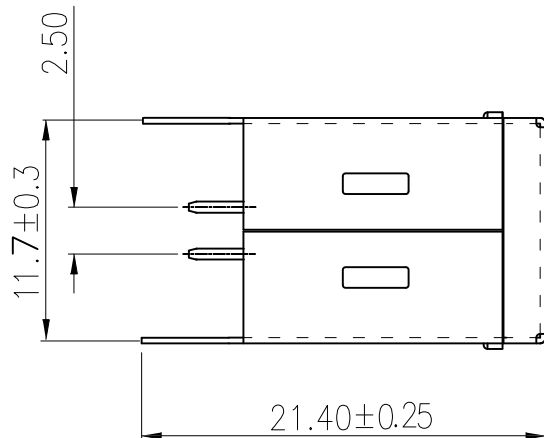
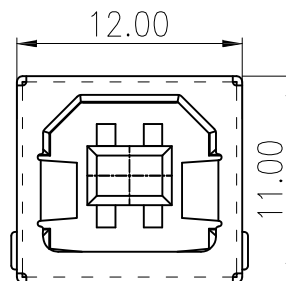
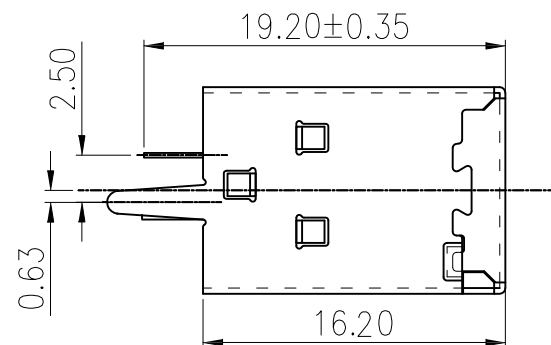
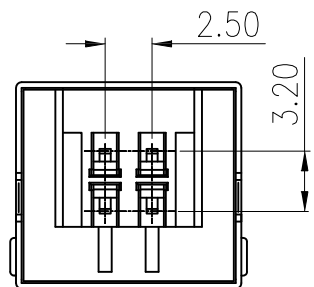
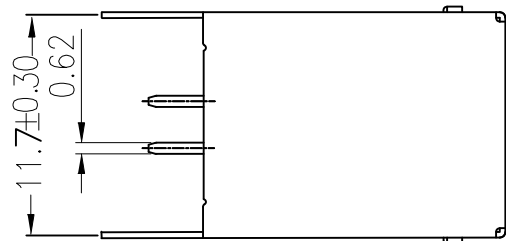
RoHS

MAPX

MODIFICATION

DRW

DATE



PCB.LAYOUT

NOTES:

- 1.MATERIAL:
  - 1.1 Housing:PBT ,UL94-HB
  - 1.2 terminals:Copper Alloy  
Gold plated in contact area:  
Tin 40u"min plated in termination  
Nickel Plated overall
  - 1.3 Shell:SPCC t=0.30mm,  
Nickel 40u"min Plated overall
- 2.ELECTRICAL CHARACTERISTICS:
  - 2.1 Rating Current :1.5 Ampere
  - 2.2 Rating Voltage :30 V Max
  - 2.3 Contact Resistance:30 Milli ohms
  - 2.4 Insulation Resistance:1000 Mega ohms Min.
- 3.MECHANICAL CHARACTERISTICS:
  - 3.1 Connector Mating force: 35N MAX(3.57Kgf)
  - 3.2 Connector Unmating force:10N min(1.02Kgf)
  - 3.3 Durability:1500Cycles.
- 4.ENVIRONMENT CHARACTERISTICS:
  - 4.1 Operating temperature:-0℃ to +50℃
  - 4.2 Storage temperature:-20℃ to +60℃

产品图

PRODUCT CHART DWG

公差一览表

TOLERANCE UNLESS OTHERWISE			
X.	±0.35	X.	±5.°
.X	±0.30	.X	±2.°
.XX	±0.20	.XX	±1.°
.XXX	±0.10	.XXX	±0.5°

深圳市精拓金电子有限公司  
Shenzhen Jing Tuo Jin Electronics Co., Ltd.

单位 UNITS	MM	制图 DRAWING	尹先华	制图料号 PRODUCT PART NO.	921-121A1010Y10200
比例 SCALE	1:1	审核 CHKD	郭治富	产品名称 PRODUCT NO.	BF 180度铁壳直脚L16.2白胶
日期 DATE	2021-04-15	核准 APPD	黄国荣	角法 VIEW	版本 VER
					AO