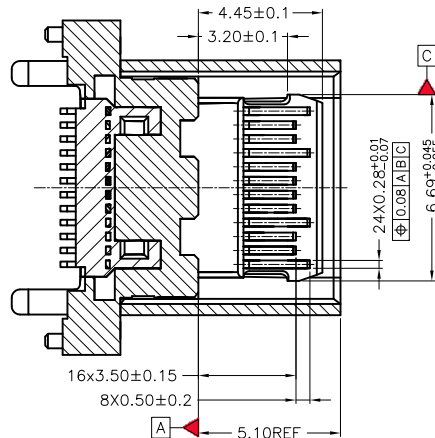
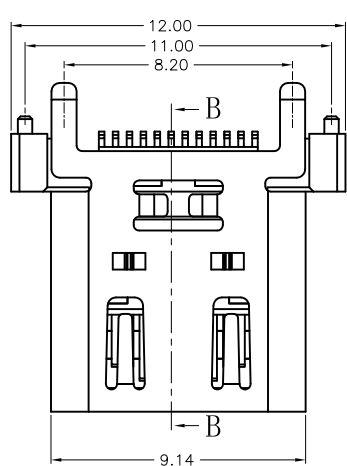


RoHS

MAPX

MODIFICATION

DATE



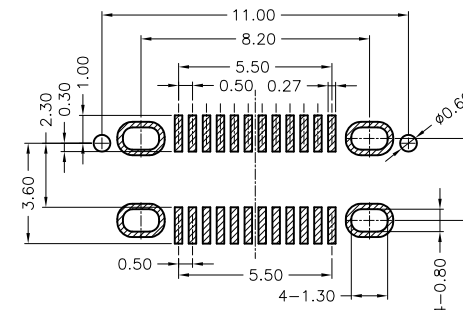
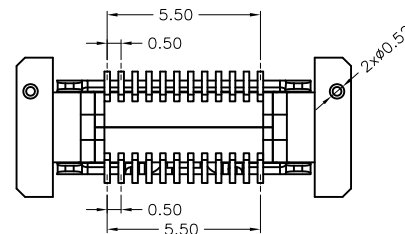
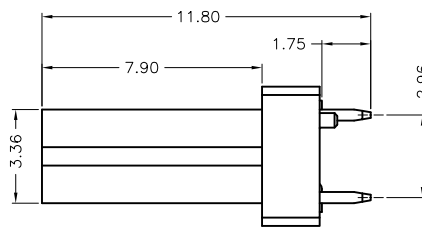
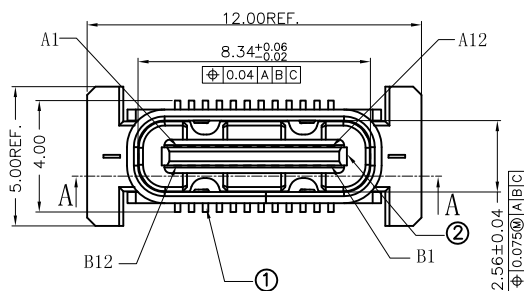
SECTION A-A

A1	GND	B12	GND
A2	SSTXP1	B11	SSRXP1
A3	SSTXN1	B10	SSRXN1
A4	VBUS	B9	VBUS
A5	CC1	B8	SBU2
A6	DP1	B7	DN2
A7	DN1	B6	DP2
A8	SBU1	B5	CC2
A9	VBUS	B4	VBUS
A10	SSRXN2	B3	SSTXN2
A11	SSRXP2	B2	SSTXP2
A12	GND	B1	GND
PIN	SIGNAL NAME	PIN	SIGNAL NAME

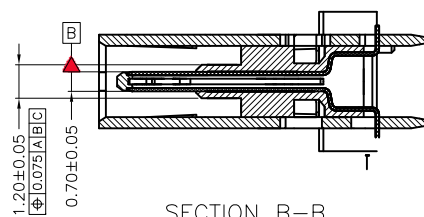
NOTES:

SPECIFICATION:

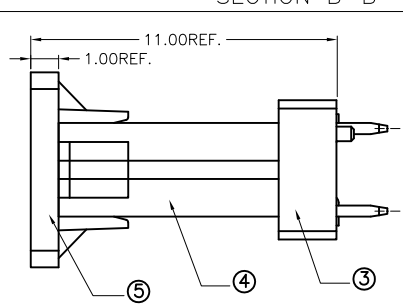
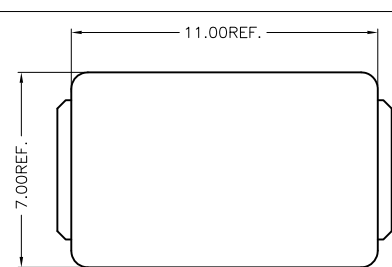
- CURRENT RATING: 3.0A MAX
- VOLTAGE: 100 VAC
- TEMPERATURE RANGE: -30 °C ~ 85 °C
- CONTACT RESISTANCE: 40 MILLIONHM MAX
- INSULATION RESISTANCE: 100 MEGOHMS MIN.
- INSERTION FORCE : 5N~20N
- UNMATING FORCE: 8N~20N
- DURABILITY: 10,000 CYCLES



RECOMMENDED P.C.B. LAYOUT (T:1.00mm)
TOLERANCE UNSPECIFIED ±0.05mm



SECTION B-B



NO.	DESCRIPTION	MATERIAL	REMARKS	QTY
5	COVER	LCP 6007AS	BLACK	1PCS
4	SHELL	SUS 304 T=0.40	NI PLATED	1PCS
3	INSULATOR	LCP S475	BLACK	1PCS
2	MID PLATE	SUS 301 T=0.20	NO PLATED	1PCS
1	TERMINAL HOUSING	C18140 T=0.12	CONTACT AREA:GOLD 30u" SOLDER AREA: G/F UNDER PLATING:NI 50u" LIQUID SEALING	2SET

产品图
PRODUCT CHART DWG

公差一览表
TOLERANCE UNLESS OTHERWISE

X.	±0.35	X.	±5.°
.X	±0.25	.X	±2.°
.XX	±0.20	.XX	±1.°
.XXX	±0.10	.XXX	±0.5°

深圳市精拓金电子有限公司

单位 UNITS	MM	制图 DRAWING	尹先华	制图料号 PRODUCT PART NO.	918-418K202AY40002
比例 SCALE	1:1	审核 CHKD	郭治富	产品名称 PRODUCT NAME	TYPE-C3.1母座直立式四脚有柱双排贴片10.0 LCP黑胶 24PIN
日期 DATE	2021-04-15	核准 APPD	黄国荣	角法 VIEW	版本 VER
					AD