

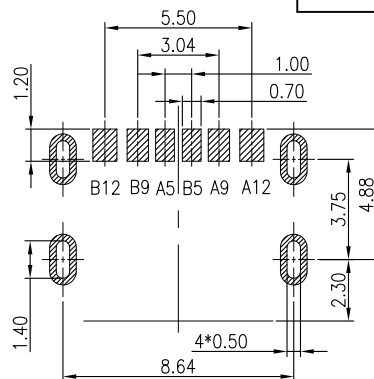
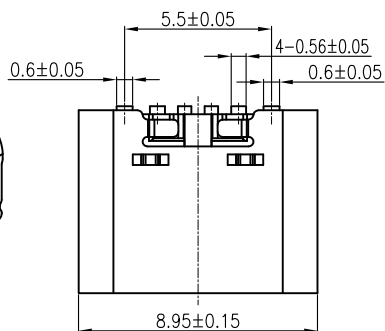
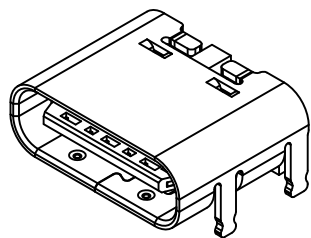
RoHS

MAPX

MODIFICATION

DRW

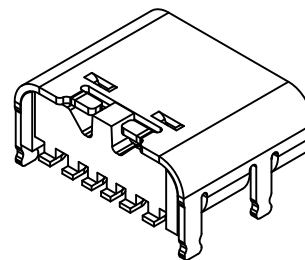
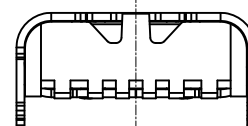
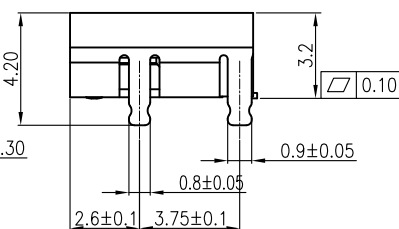
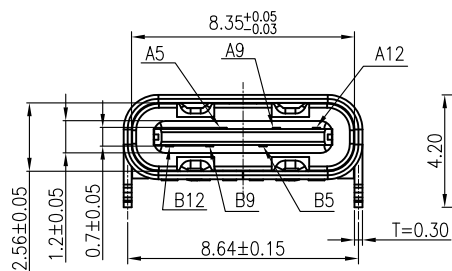
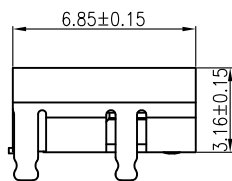
DATE



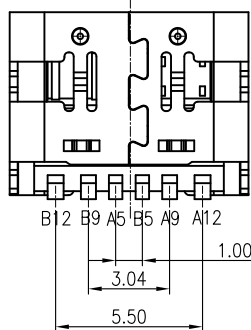
RECOMMENDED P.C.B. LAYOUT
TOLERANCE UNSPECIFIED ±0.05mm

NOTES:

- MATERIAL:
MOLDING: LCP UL94 V-0
CONTACT: COPPER ALLOY.
- Finished: contact area: plating Au 0.8u",
solder tail: plating Au 0.8u", all plating Ni 40u"
SHELL: SUS201-1/2H, T=0.30±0.03mm
50u" NICKEL PLATING OVER ALL.
- MECHANICAL:
INSERTION: 5~20N.
EXTRACTION: 8~20N AFTER TEST.
DURABILITY: 8000 CYCLES
- ELECTRICAL:
CURRENT: 5A FOR VBUS;
1.25A FOR GND PIN.
0.25A FOR OTHER.
- VOLTAGE: 20 V MAX
WITHSTANDING VOLTAGE: 100V AC R.M.S.
CONTACT RESISTANCE: 40mΩ MAX.
INSULATION RESISTANCE: 100MΩ MIN.
- ENVIRONMENTAL
TEMPERATURE RANGE -25°C ~ +85°C



B12	GND
B9	VBUS
B5	CC2
A5	CC1
A9	VBUS
A12	GND
PIN	SIGNAL NAME



3	SHELL	STAINLESS STEEL	Ni/Cu Plated	1PCS
2	CONTACT	BRASS	Au Plated	1SET
1	MD	HIGH TEMPERATURE PLASTIC	BLACK	1PCS
NO.	DESCRIPTION	MATERIAL	REMARKS	QTY

<p>产品图 PRODUCT CHART DWG</p> <p>公差一览表 TOLERANCE UNLESS OTHERWISE</p>		<p>深圳市精拓金电子有限公司 Shenzhen Jing Tuo Jin Electronics Co., Ltd.</p>									
X.	±0.35	X.	±5°	单位 UNITS	MM	制图 DRAWING	尹先华	制图料号 PRODUCT PART NO.	918-418K2023S40026		
.X	±0.25	.X	±2°	比例 SCALE	1:1	审核 CHKD	郭治富	产品名称 PRODUCT NO.	TYPE-C3.1简易母座6.85四脚长1.0无弹MD*3LCP黑 单排SMT 6PIN		
.XX	±0.20	.XX	±1°	日期 DATE	2021-04-15	核准 APPD	黄国荣	角法 VIEW		版本 VER	A0
.XXX	±0.10	.XXX	±0.5°								