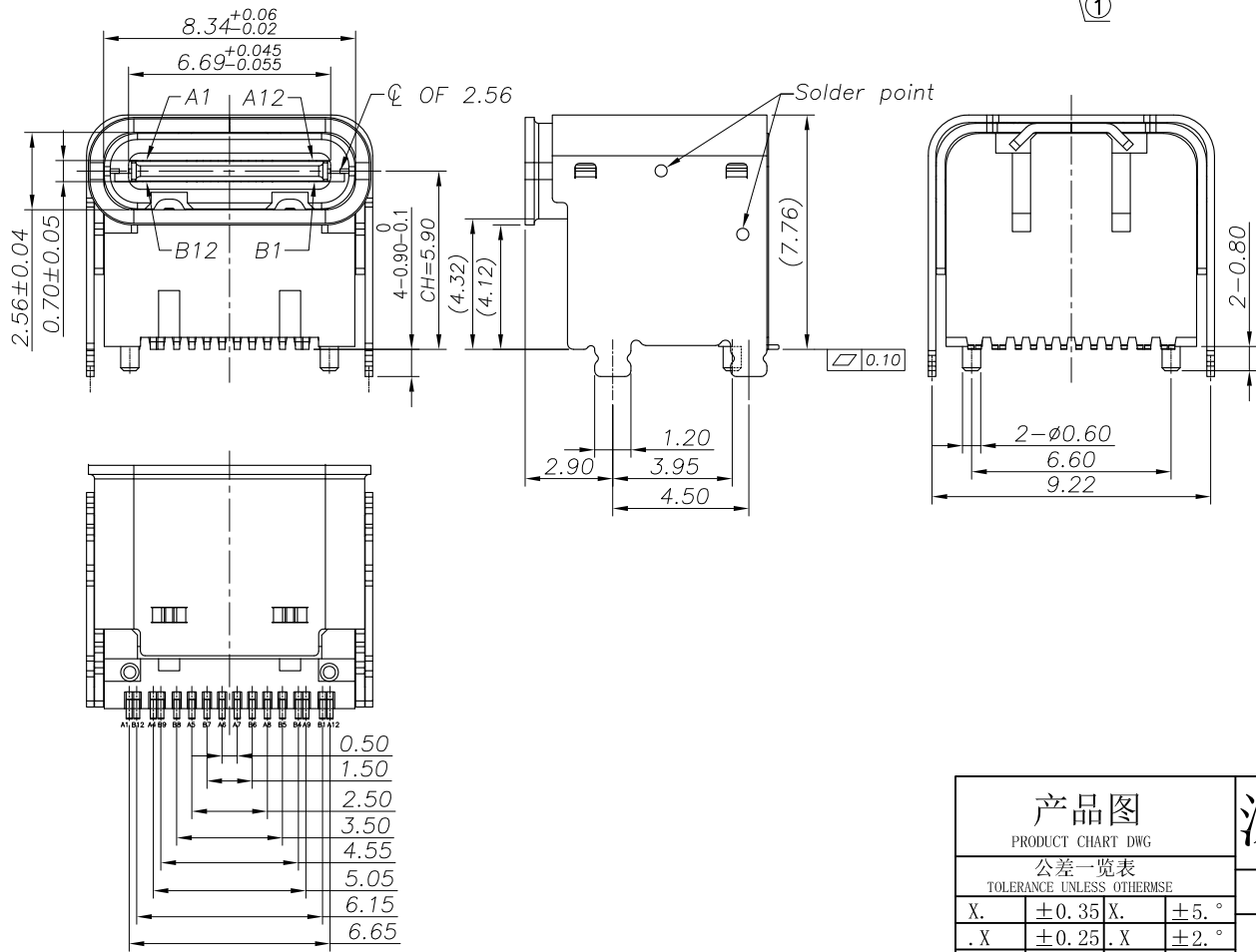


MAPX	MODIFICATION	DATE
------	--------------	------

NOTE:

- MATERIAL SPECIFICATION:
  - HOUSING: HIGH TEMPERATURE RESISTANT PLASTIC, UL94 V-0.
  - CONTACTS: COPPER ALLOY
  - MID PLATE: STAINLESS STEEL
  - INSIDE SHELL: STAINLESS STEEL
  - OUTSIDE SHELL: STAINLESS STEEL
- PLATING SPECIFICATION:
  - CONTACTS:
    - Ni 50u" MIN. UNDER PLATED OVER ALL.
    - Au PLATED ON THE FUNCTIONAL AREA OF CONTACT. (GOLD PLATING THICKNESS FOLLOW THE P/N)
    - GOLD FLASH PLATING ON SOLDER AREA
  - INSIDE SHELL OR OUTSIDE SHELL:
    - Ni 30u" MIN. UNDER PLATED OVER ALL.
- MECHANICAL PERFORMANCE,
  - INSERTION FORCE: 0.5~2.0kgf.
  - REMOVAL FORCE: 0.8kgf~2.0kgf.
  - DURABILITY: 10000 CYCLES.
- ELECTRICAL PERFORMANCE,
  - CURRENT RATING: 5A  
VOLTAGE RATING: 20V
  - INSULATION RESISTANCE: 100MΩ MIN
  - DIELECTRIC WITHSTAND VOLTAGE, AC 100V FOR 1 MINUTE.
  - LOW CONTACT RESISTANCE: INITIAL 40MΩ  
AFTER 50MΩ
- ENVIRONMENTAL PERFORMANCE:
  - OPERATING TEMPERATURE: -30°C~+80°C.
- IR REFLOW:
  - THE PEAK TEMPERATURE ON THE BOARD SHALL BE MAINTAINED FOR 10 SECONDS AT 260°C.

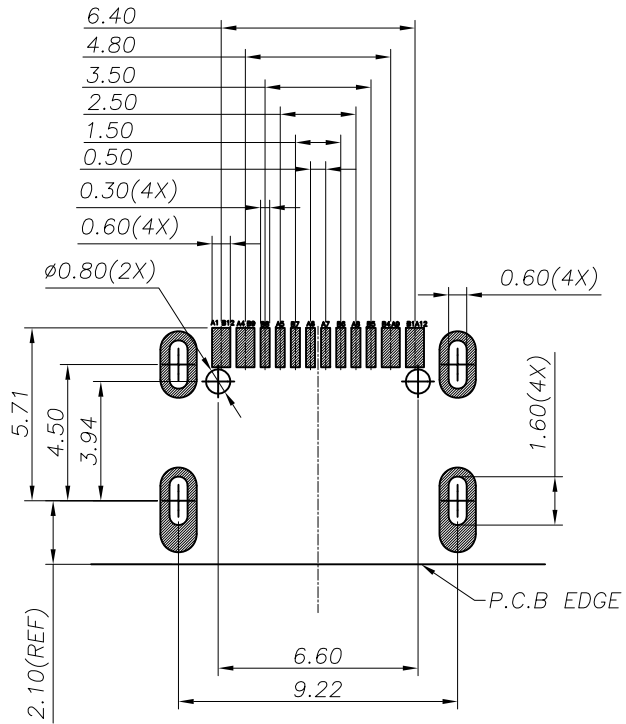


<b>产品图</b> PRODUCT CHART DWG		<b>深圳市精拓金电子有限公司</b>									
公差一览表 TOLERANCE UNLESS OTHERWISE				单位	MM	制图	尹先华	制图料号	918-418K2023S40008		
X.	±0.35	X.	±5.°	比例	1:1	审核	郭治富	产品名称	TYPC-3.1母座上L8.0 CH5.9垫高4.3双包		
.X	±0.25	.X	±2.°	SCALE		核准	黄国荣	PRODUCT NO.	壳四脚有LCP黑胶SMT 16PIN		
.XX	±0.20	.XX	±1.°	日期	2021-04-15	APPD		角法		版本	AO
.XXX	±0.10	.XXX	±0.5°	DATE				VIEW	VER		

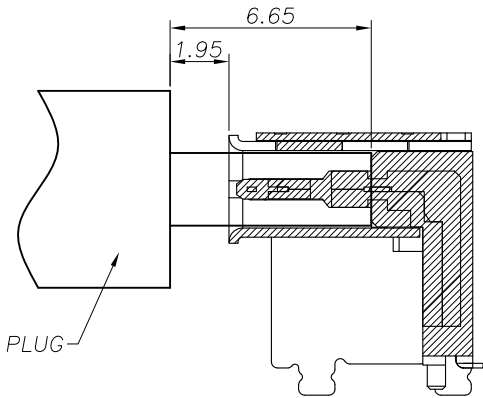
MAPX	MODIFICATION	DATE

USB TYPE-C PIN ASSIGNMENTS

PIN NUMBER	SIGNAL NAME	PIN NUMBER	SIGNAL NAME
A1	GND	B12	GND
A4	VBUS	B9	VBUS
A5	CC1	B8	SBU2
A6	Dp1	B7	Dn2
A7	Dn1	B6	Dp2
A8	SBU1	B5	CC2
A9	VBUS	B4	VBUS
A12	GND	B1	GND

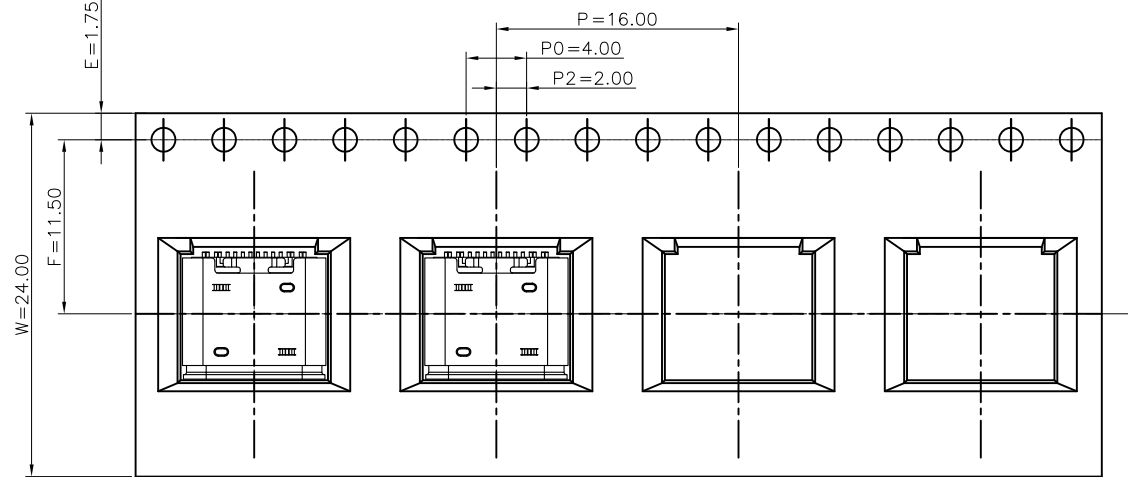
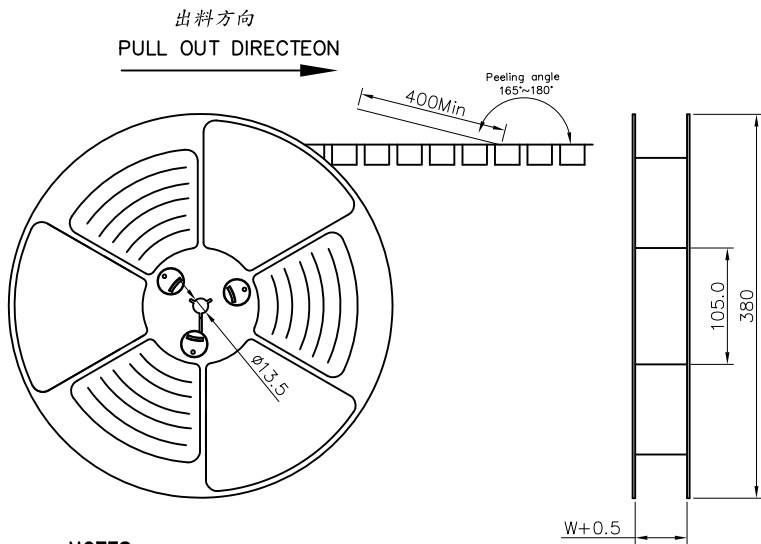


RECOMMEND P.C.B LAYOUT(COMPONENT SIDE)  
TOLERANCE FOR PCB LAYOUT IS ± 0.05



AFTER MATING  
SCALE 1:1

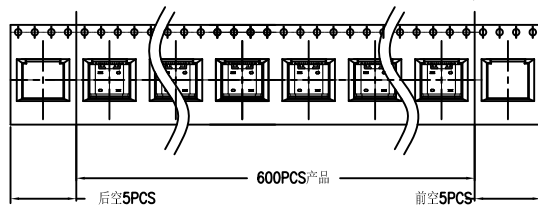
产品图 PRODUCT CHART DWG		深圳市精拓金电子有限公司							
公差一览表 TOLERANCE UNLESS OTHERWISE				单位 UNITS	MM	制图 DRAWING	尹先华	制图料号 PRODUCT PART NO.	918-418K2023S40008
X.	±0.30	X.	±5.°	比例 SCALE	1:1	审核 CHKD	郭治富	产品名称 PRODUCT NO.	TYPE-C 3.1母座上L8.0 CH5.9垫高4.3双包 壳四脚有柱LCP黑胶SMT 16PIN
.X	±0.25	.X	±2.°	日期 DATE	2021-04-15	核准 APPD	黄国荣	角法 VIEW	⊕ □
.XX	±0.15	.XX	±1.°	版本 VER					AO
.XXX	±0.10	.XXX	±0.5°						



**NOTES**

1.帶子引導長度  
**LEAD TAPE LENGTH**

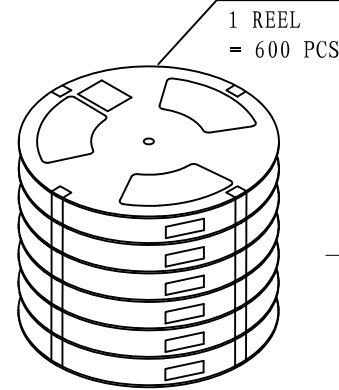
出料方向  
**PULL OUT DIRECTEON**



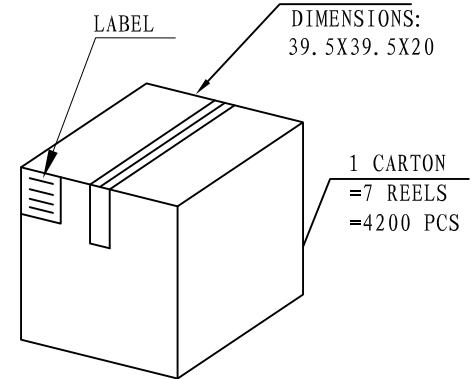
2.上帶剝力力為：0.1~1.3N(10.2gf~130gf)  
**PEELING OFF FORCE OF TOP TAPE:0.1~1.3N(10.2gf~130gf)**

出貨運輸過程中一定注意：  
**THIS REQUIREMENT SHOULD BE APPLIED AT SHIPMENT：**  
卷帶在運輸過程中不能散開  
**PEELING OFF SHOULD NOT BE ALLOWED DURING TRANSPORTATION**

TAPE & REEL 7 PCS



BOX



包裝明細表 (The detail of the packing)Carton						
產品料號 (Product No.)	包裝容量 (Packing Capacity)		重量 Weight (Kg)			
	pcs/box	boxs/Carton	Pcs/Box	N.W./Pcs	N.W./Box	G.W./Box
UCR04-0161X-00XR	600	7	4200	---	---	---

产品图 PRODUCT CHART DWG				深圳市精拓金电子有限公司								
公差一览表 TOLERANCE UNLESS OTHERWISE				单位 UNITS	制图 DRAWING	尹先华	制图料号 PRODUCT PART NO.	918-418K2023S40008				
X.	±0.30	X.	±5.°	比例 SCALE	1:1	审核 CHKD	郭治富	产品名称 PRODUCT NO.				
.X	±0.25	.X	±2.°					TYPC-3.1母座板上L8.0 CH5.9墊高4.3雙包 突四脚有TELCP黑胶SMT 16PIN				
.XX	±0.15	.XX	±1.°					角法 VIEW			版本 VER	AO
.XXX	±0.10	.XXX	±0.5°					日期 DATE				
				2021-04-15	核准 APPD	黄国荣						