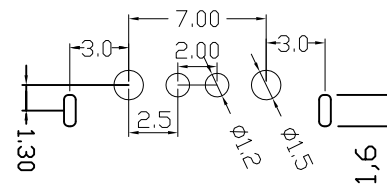
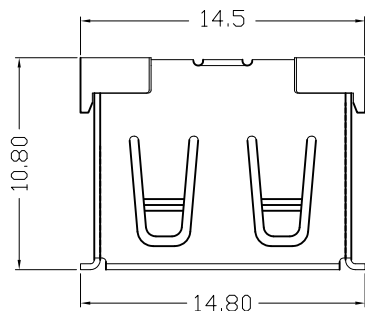


RoHS

MAPX

MODIFICATION

DATE



规格说明:Specifications:

电气特性:Electrical:

- 1.额定电流: Current Rating
5.0A/contact terminal
- 2.额定电压: Voltage Rating
30V DC
- 3.接触电阻: Contact Resistance
30 milliohms MAX
- 4.耐电压: Dielectric Withstanding Voltage:
300 V AC AT Sea Level
- 5.绝缘电阻: Insulation Resistance:
1000MEGA ohms MIN

物理性能:Mechanical:

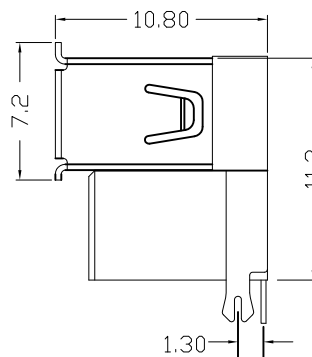
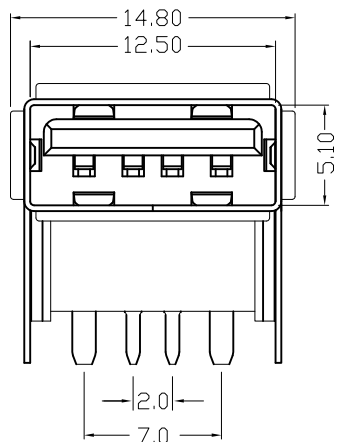
- 1.插拔力: Connector Mate and Unmate Force
Mate force:3.0kgf(MAX)
Unmate force:0.7kgf(MIN)
- 2.端子保持力: Terminal Retention
1.2kgf(MIN)

原材料:Material:

- 1.塑胶: Housing:
Hing Temperature Thermoplastics,
UI 94V-0 9T White/Black
- 2.端子: 高导电
- 3.外壳: Shell: Copper Alloy SPCC/C2680

电镀:Finish:

- 1.端子: Contact: Plated Gold in Mating Area;
Tin On Solder Talls
- 2.外壳: Shell:
Nickel Plating



产品图

PRODUCT CHART DWG

公差一览表

TOLERANCE UNLESS OTHERWISE

X.	±0.25	X.	±5.°
.X	±0.20	.X	±2.°
.XX	±0.15	.XX	±1.°
.XXX	±0.10	.XXX	±0.5.°

深圳市精拓金电子有限公司

单位 UNITS	MM	制图 DRAWING	尹先华	制图料号 PRODUCT PART NO.	909-251A1013D101A0
比例 SCALE	1:1	审核 CHKD	郭治富	产品名称 PRODUCT NO.	AF90度10.8短体后两脚有边铁壳LCP白胶高11.3mm大电流
日期 DATE	2021-04-13	核准 APPD	黄国荣	角法 VIEW	版本 VER

版本

VER

AO