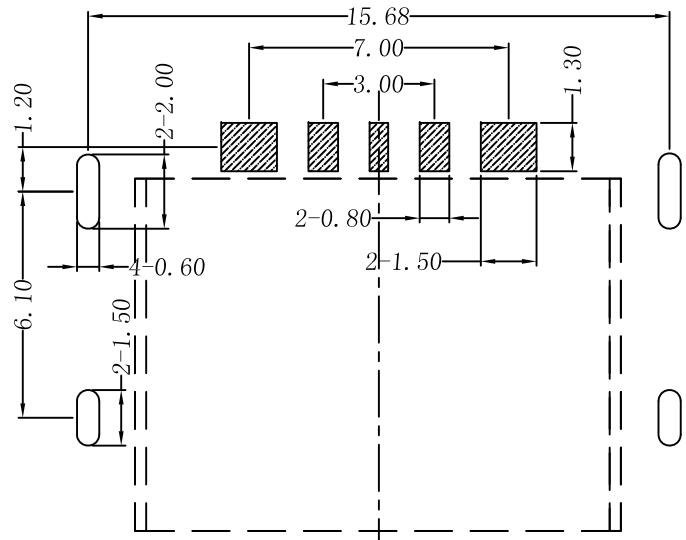
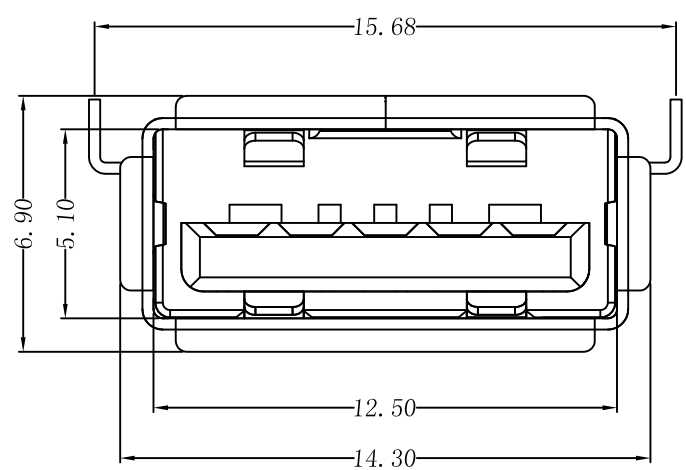
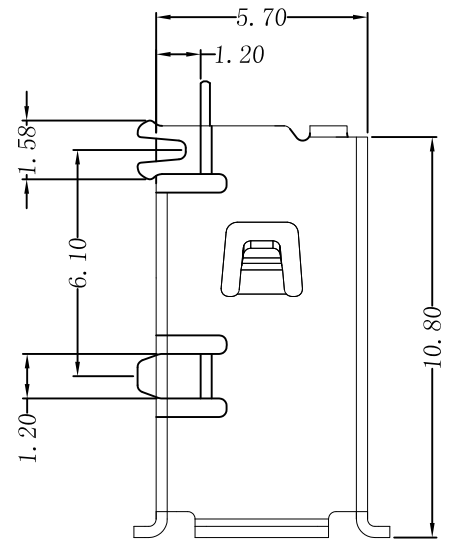
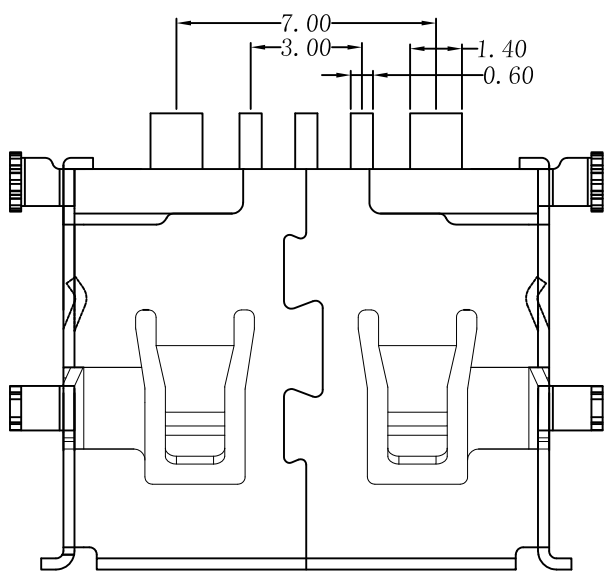


MAPX	MODIFICATION	DATE

Note:

- Material:
  - Housing: PA9T/PA66/LCP with/black g.f, UL94v-0
  - Contact: copper alloy,t=0.25mm
  - Shell: copper/Ferroalloy alloy,t=0.30mm
- Specification:
  - Current rating:5A Max.
  - Dielectric withstanding voltage: 100 V(ac) for 1 min.
  - Contact resistance: 30 mΩ Max.
  - Insulation resistance: 100 MΩ Min.
  - Total mating force: 3.57 Kgf Max.
  - Total unmating force: 1.0 Kgf Min.
- Finish:
  - Contact: Plated Golt in Mating Area: Tin On Solder Talls  
Shell: Nickel Plating
- Environmental:
  - Temperature range: -55°C~85°C



PCB LAYOUT REFERENCE

产品图 PRODUCT CHART DWG		深圳市精拓金电子有限公司							
公差一览表 TOLERANCE UNLESS OTHERWISE		单位 UNITS	MM	制图 DRAWING	尹先华	制图料号 PRODUCT PART NO.	905-751A3092S10205		
X.	±0.25	X.	±5°	比例 SCALE	1:1	审核 CHKD	郭治富	产品名称 PRODUCT NAME	AF大电流10.8沉板1.2四脚有边铁壳PA9T绿胶贴板5PIN
.X	±0.20	.X	±2°	日期 DATE	2021-04-12	核准 APPD	黄国荣	角法 VIEW	版本 VER
.XX	±0.15	.XX	±1°						AD
.XXX	±0.10	.XXX	±0.5°						