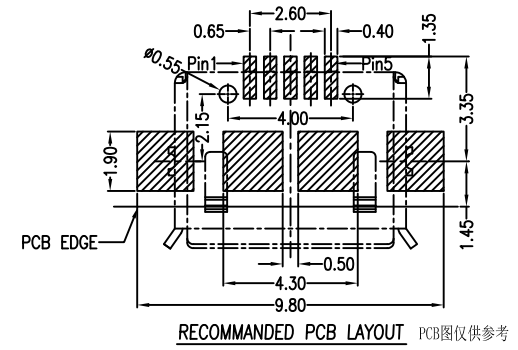
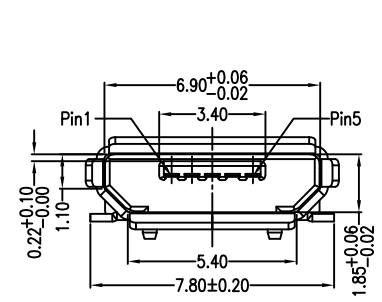
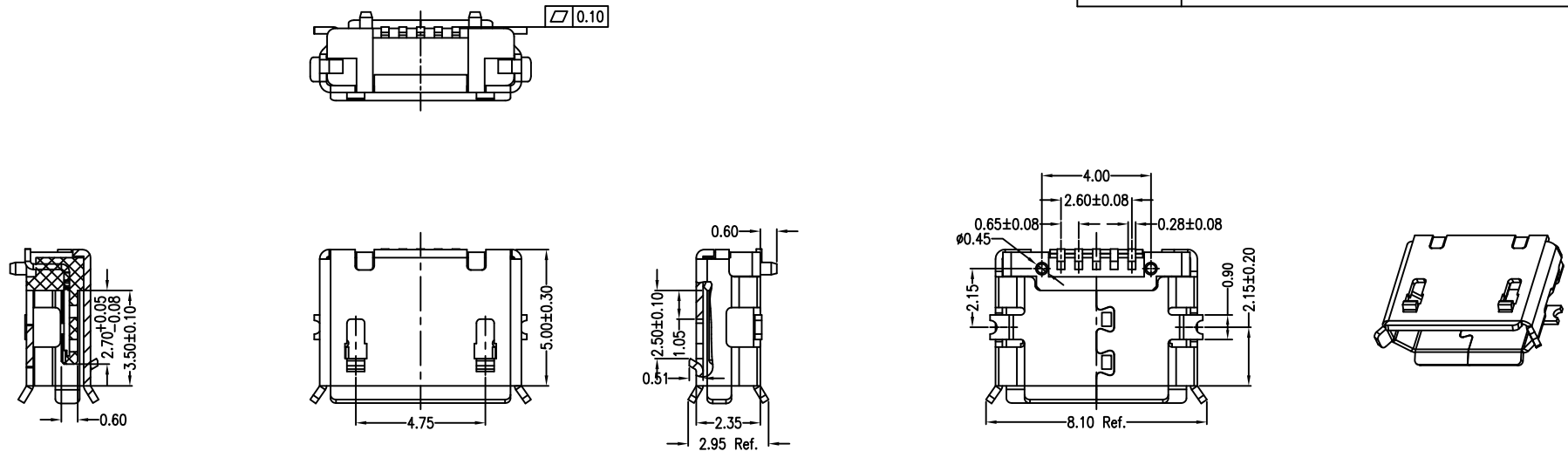


目錄 MAPX	设变内容 MODIFICATION	日期 DATE



Note:

- Material:
 - Housing: High temperature thermoplastic with g.f,UL94v-0
 - Contact: copper alloy,t=0.20mm
 - Shell: copper alloy,t=0.25mm
- Specification:
 - Current rating:1,5PIN 1.8A Max/2,3,4PIN 1A Max.
 - Dielectric withstanding voltage: 100 V(ac) for 1 min.
 - Contact resistance: 30 mΩ Max.
 - Insulation resistance: 100 MΩ Min.
 - Total mating force: 3.57 Kgf Max.
 - Total unmating force: 1.0 Kgf Min
 - Temperature range: -30°C~80°C

产品图 PRODUCT CHART DWG		深圳市精拓金电子有限公司					
公差一览表 TOLERANCE UNLESS OTHERWISE		单位 UNITS	MM	制图 DRAWING	尹先华	产品料号 PRODUCT PART NO.	920-D52A2021S10107
X.	±0.30	X'	±5'	比例 SCALE	审核 CHKD	产品名称 PRODUCT NO.	MICRO 5P B型两脚贴板有边有柱LCP黑胶短端SMT
.X	±0.25	.X'	±2'				
.XX	±0.15	.XX'	±1'	日期 DATE	核准 APPD	角法 VIEW	版本 VER
.XXX	±0.10	.XXX'	±0.5'				
		2021-04-16		黄国荣			A0