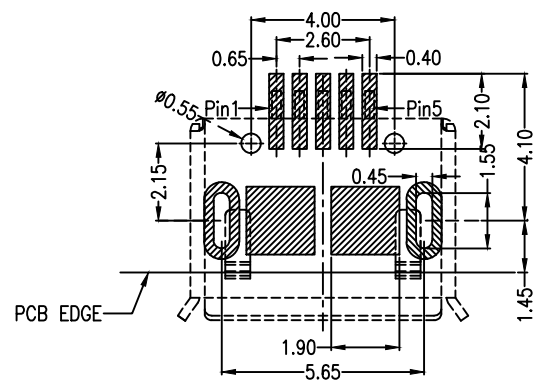
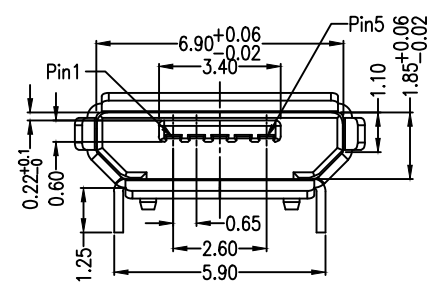
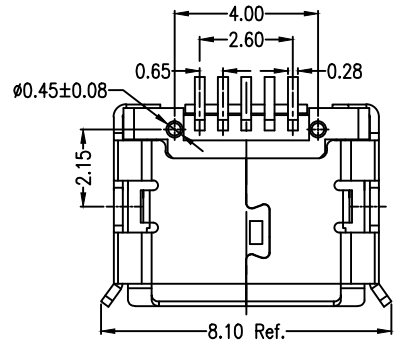
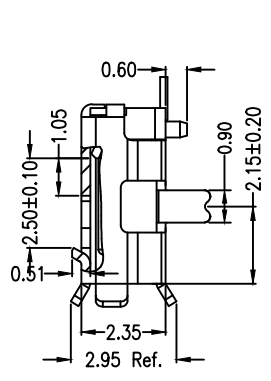
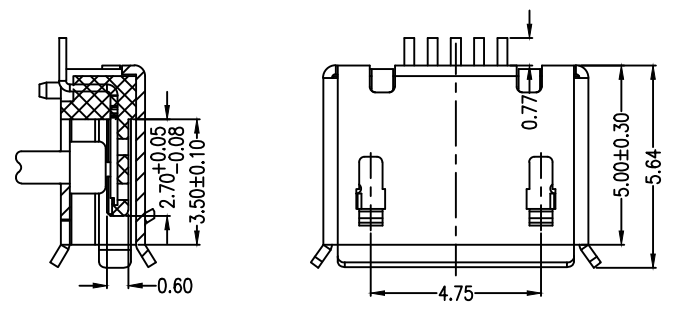
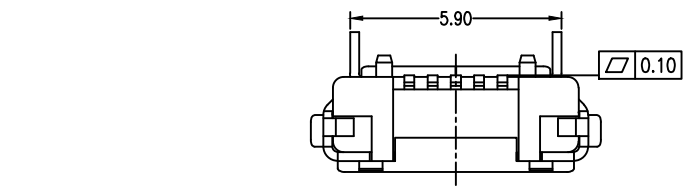


| | | |
|------|--------------|------|
| MAPX | MODIFICATION | DATE |
| | | |



RECOMMENDED PCB LAYOUT
PCB图仅供参考

- Note:
- Material:
 - Housing: High temperature thermoplastic with g.f,UL94v-0
 - Contact: copper alloy,t=0.20mm
 - Shell: copper alloy,t=0.25mm
 - Specification:
 - Current rating:1,5PIN 1.8A Max/2,3,4PIN 1A Max.
 - Dielectric withstanding voltage: 100 V(ac) for 1 min.
 - Contact resistance: 30 mΩ Max.
 - Insulation resistance: 100 MΩ Min.
 - Total mating force: 3.57 Kgf Max.
 - Total unmating force: 1.0 Kgf Min.
 - Temperature range: -30°C~80°C

| | | | | | | | |
|-------------------------------------|------------|--------------|----|---------------|------------|--------------------------|--------------------|
| 产品图 PRODUCT CHART DWG | | 深圳市精拓金电子有限公司 | | | | | |
| 公差一览表 TOLERANCE UNLESS OTHERWISE | | 单位 UNITS | MM | 制图 DRAWING | YANG | 制图料号 PRODUCT PART NO. | 920-C52A2021S10110 |
| X. | ±0.30 X. | ±5.° | | 比例 SCALE | 1:1 | 审核 CHKD | 郭志富 |
| .X | ±0.25 .X | ±2.° | | 日期 DATE | 2019.11.23 | 核准 APPD | 黄国荣 |
| .XX | ±0.20 .XX | ±1.° | | 角法 VIEW | | 版本 VER | AO |
| .XXX | ±0.10 .XXX | ±0.5° | | | | | |

MICRO 5S B型5.9两脚长1.25插板有边有柱SMT端子加长0.75镀镍