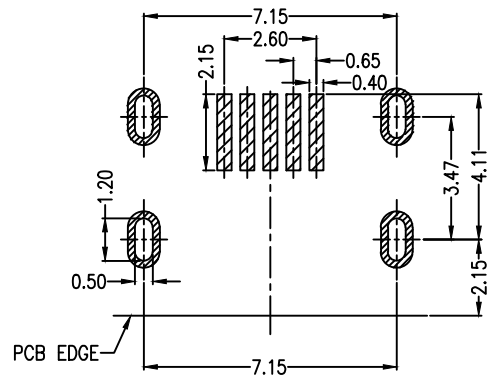
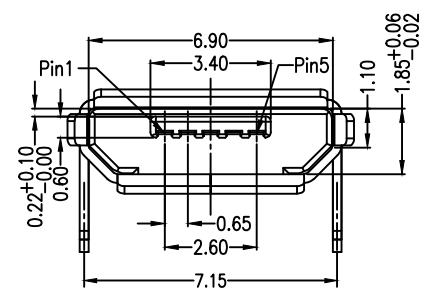
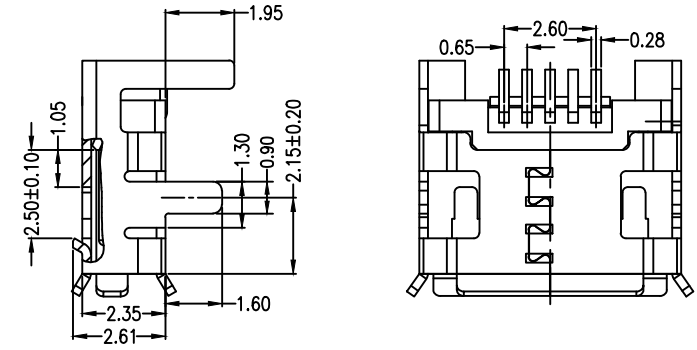
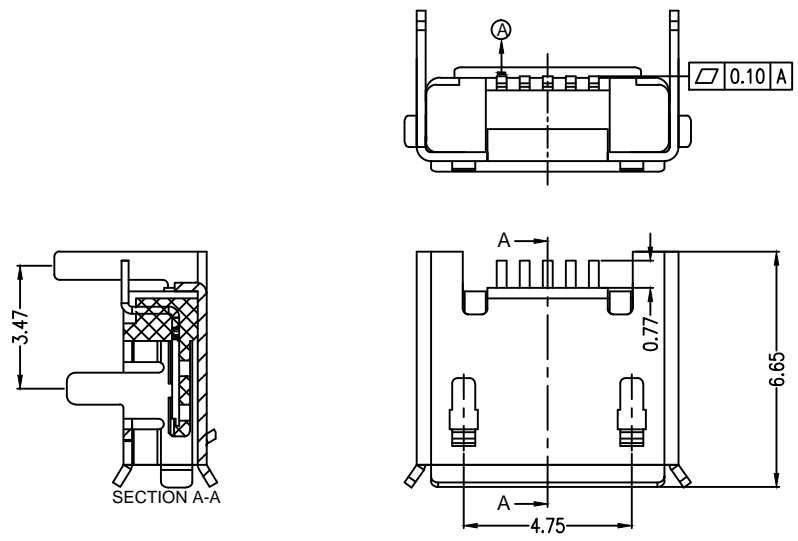


MAPX	MODIFICATION	DATE



RECOMMENDED PCB LAYOUT
PCB图仅供参考

- Note:
- Material:
 - Housing: High temperature thermoplastic with g.f,UL94v-0
 - Contact: copper alloy, t=0.20mm
 - Shell: copper alloy, t=0.25mm
 - Specification:
 - Current rating: 1.5PIN 1.8A Max/2,3,4PIN 1A Max.
 - Dielectric withstanding voltage: 100 V(ac) for 1 min.
 - Contact resistance: 30 mΩ Max.
 - Insulation resistance: 100 MΩ Min.
 - Total mating force: 3.57 Kgf Max.
 - Total unmating force: 1.0 Kgf Min.
 - Temperature range: -30°C~80°C

A 01 S B X X X X X XX-564
① ② ③ ④ ⑤ ⑥ ⑦ ⑧ ⑨ ⑩ ⑪

- | | |
|---|---|
| 外壳材质
1: C2680R-H | 端子电镀
01: Au1u''; 02: Au1.5u''; 03: Au3u''
05: Au5u''; 10: Au10u''; 15: Au15u''; 30: Au30u'' |
| 外壳电镀
1: N50u''
2: 雾T50u''
3: N+Au1u'' (脚)
4: Au1u'' | 主体颜色 B: 黑色 |
| | 主体材质 1: LCP |
| | 端子材质 4: C5191R-EH |

产品图 PRODUCT CHART DWG		深圳市精拓金电子有限公司					
公差一览表 TOLERANCE UNLESS OTHERWISE		单位 UNITS	MM	制图 DRAWING	邱建辉	制图料号 PRODUCT PART NO.	920-A52A2021S10100
X.	±0.35	X.	±5.°	比例 SCALE	1:1	审核 CHKD	郭治富
.X	±0.30	.X	±2.°	日期 DATE	2012.09.24	核准 APPD	黄国荣
.XX	±0.25	.XX	±1.°	角法 VIEW		版本 VER	
.XXX	±0.15	.XXX	±0.5°				AD

产品名称 MMICRO 5S B型有边7.2四脚插板
无柱前1.6后1.95端子加长0.75