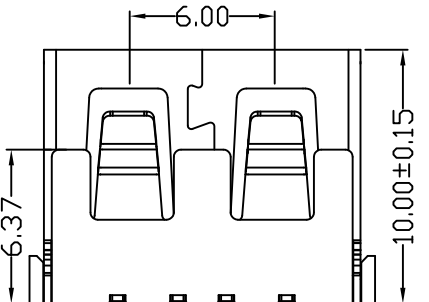
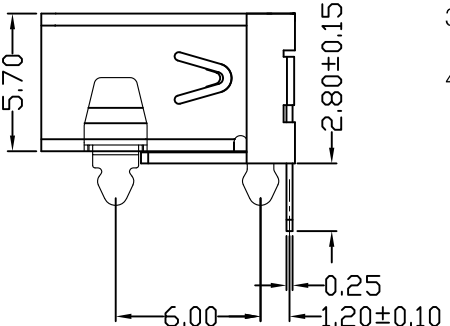
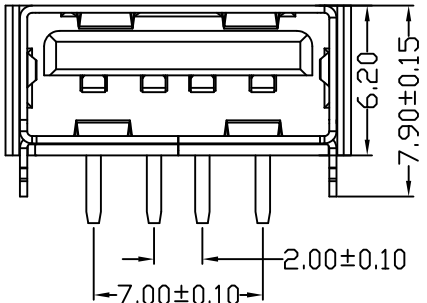
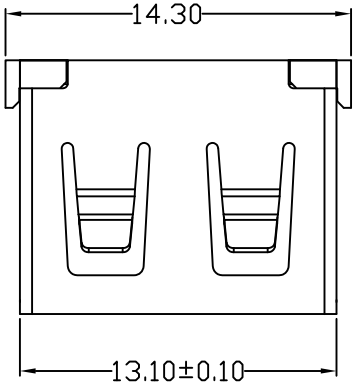


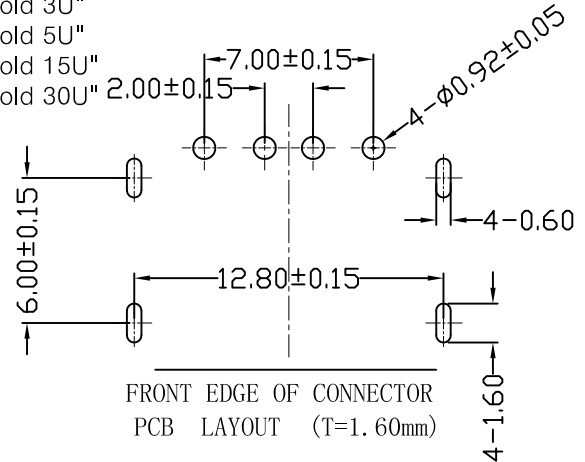
E 款, 正向10四脚, SMT-\*6.20

MAPX	MODIFICATION	DATE



NOTES:  
 1.HOUSING: SEE NOTES, UL94V-0 .  
 TERMINAL: SEE NOTES.  
 SHELL: SEE NOTES.  
 SPECIFICATION:  
 1.ELECTRICAL CHARACTERISTIC:  
 CONTACT RESISTANCE: 30MΩ MAX  
 DIELECTRIC WITHSTANDING VOLTAGE: 500V AC FOR 1MIN  
 INSULATION RESISTANCE: 1000MΩ MIN  
 2.MECHANICAL CHARACTERISTIC:  
 INSERTION FORCE: 35N(3.57KGF) MAX  
 EXTRACTION FORCE: 10~35N(1.02~3.57KGF)MIN  
 DURABILITY: 1500 CYCLES EXTRACTION FORCE:10~35N  
 5000 CYCLES MIN  
 5000 CYCLES EXTRACTION FORCE:3~35N

3.ENVIRONMENTAL:  
 OPERATING TEMPERATURE: -55°C+85°C  
 4.Contact finish:  
 01:Selective Gold Flash  
 02:Selective Gold 3U"  
 03:Selective Gold 5U"  
 04:Selective Gold 15U"  
 05:Selective Gold 30U"



FRONT EDGE OF CONNECTOR  
 PCB LAYOUT (T=1.60mm)

产品图 PRODUCT CHART DWG				深圳市精拓金电子有限公司					
公差一览表 TOLERANCE UNLESS OTHERWISE				单位 UNITS	MM	制图 DRAWING	Z-Y-B	制图料号 PRODUCT PART NO.	913-361A3011D10200
X.	±0.25	X.	±5.°	比例 SCALE	1:1	审核 CHKD		产品名称 PRODUCT NAME	AF10. 0E款四脚无边方弹铁壳 PBT白胶6.2DIP
.XX	±0.15	.XX	±1.°	日期 DATE	2014.03.24	核准 APPD		角法 VIEW	版本 VER
.XXX	±0.10	.XXX	±0.5°						AD