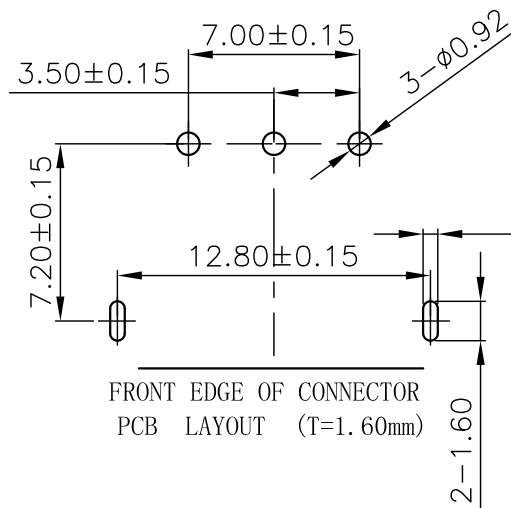
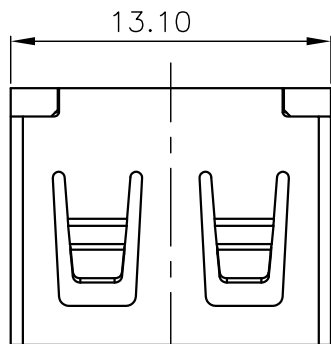
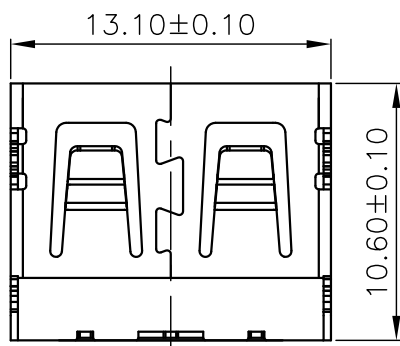
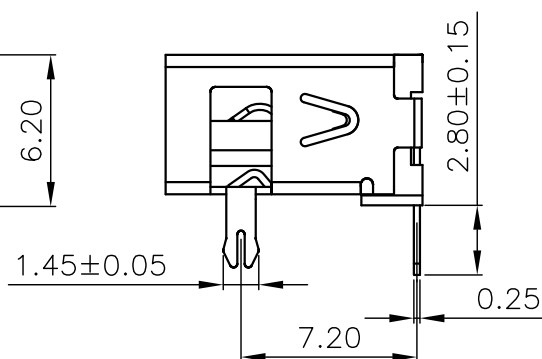
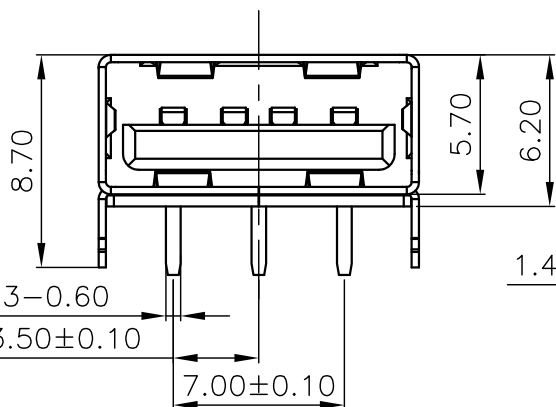


SYM	ECN No.	MODIFICATION	DATE	ISSUED



Note:

1. Material:
 - 1.1, Housing: High temperature thermoplastic with/black G/F, UL94v-0
 - 1.2, Contact: copper alloy, t=0.25mm
 - 1.3, Shell: copper/Ferroalloy alloy, t=0.30mm
2. Specification:
 - 2.1, Current rating: 1.5A Max.
 - 2.2, Dielectric withstanding voltage: 100 V(ac) for 1 min.
 - 2.3, Contact resistance: 30 mΩ Max.
 - 2.4, Insulation resistance: 100 MΩ Min.
 - 2.5, Total mating force: 3.57 Kg Max.
 - 2.6, Total unmating force: 1.0 Kg Min.
3. Finish:
 - 3.1, Contact: Plated Gold in Mating Area; Tin On Solder Talls
 - Shell: Nickel Plating
4. Environmental:
 - 4.1, Temperature range: -55°C~85°C



PART ON:

912-12XAXXXAD1XX

- 电镀规格: 11, 镀金1u" 13, 镀金3u" 15, 镀金15u" 16, 镀金30u"
- 端子材质: 1, 青铜 2, 磷铜
- 端子规格: D, 90度 Y, 180度 S, SMT贴板
- 塑胶形态: 1=6.2有耳朵 2=6.5有耳朵 3=6.8有耳朵 4=5.7有耳朵 5=6.0有耳朵 6=6.2无耳朵 7=6.5无耳朵 8=6.8无耳朵 9=6.0有耳朵短路 A=6.2无耳朵 2.3短路 B=6.5反向单柱0.8 C=6.0无耳朵MJ
- 塑胶颜色: 01, 白色 02, 黑色 03, 本色
- 塑胶材质: 1, PBT 2, LCP 3, PA9T 4, PPA 5, PA6T
- 对插方向: A, 正向 B, 反向
- 外壳材质: 1, 铁壳 2, 铜壳
- 插口类型: 1=有边方弹 2=无边方弹 3=有边尖弹 4=无边尖弹 5=无边大小弹
- 外壳脚型: 1, 前两脚 2, 后两脚 3, 四脚 4, 无脚
- 类别: D款10.0系列

1	912-121B1015D10101	5	
2		6	
3		7	
4		8	

DRAWN		jt 深圳市精拓金电子有限公司			
CHECKED		TITLE		PART NO.	
APPROVED		AF10.6D款前两脚无边方弹铁壳 反向一型PBT白胶DIP2-3短路		912-121B1015D10101	
3rd ANGLE PROJECTION		TOLERANCE		DRAWING NO.	
UNIT		.XXX±.10, .XX±.20, .X±.25, ANG±5°		R912121A101AD102	
mm		SCALE	SHEET	SIZE	REV.
		1:1	1 OF 1	A4	X1