

MAPX	MODIFICATION	DATE

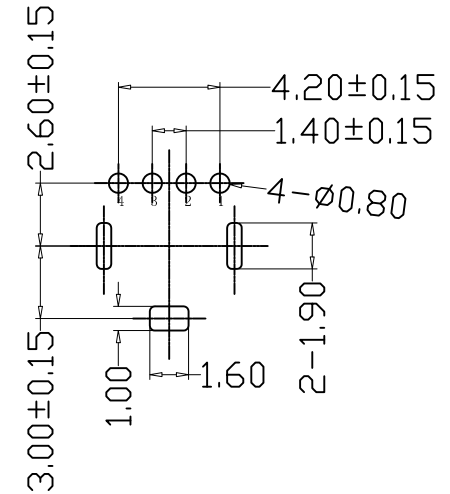
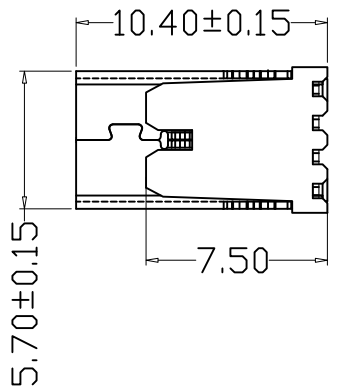
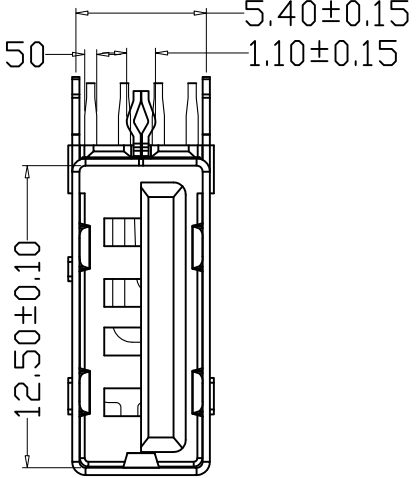
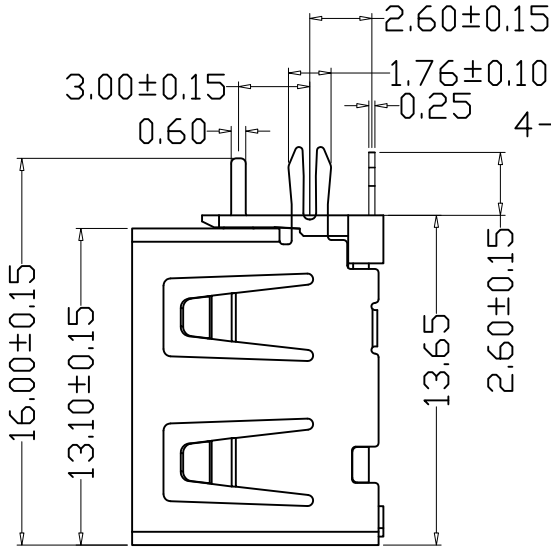
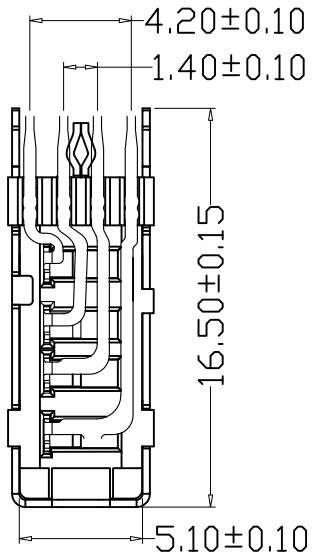
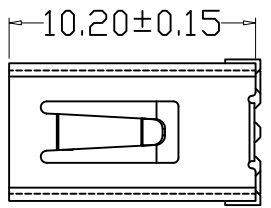
Specification:

1. Electrical Characteristics:
 Dielectric Withstanding Voltage: AC 500V/1MINUTE.
 Insulation Resistance: 1000 MΩ/Min.
 Contact Resistance: 30 mΩ Max.

2. Mechanical Characteristics:
 INSERTION FORCE: 30N (3.06KgF) MAX
 EXTRACTION FORCE: 10~30N (1.02~3.06KgF)
 Durability: 1500cycles. EXTRACTION FORCE: 10~30N (1.02~3.06KgF)

3. Material:
 Terminal: Phosphor Bronze, C2680R-EH T=0.25
 Plating: Gold 0.76 um Min plating over 1.27 um Min Nickel underplate, 2.54 um Min Sn selective plating on solder tail;
 Shell: Bronze, SPCCR-H =0.30mm
 Plating: Nickel underplate 2.54 um Min;
 Housing: PBT white

4. Environmental:
 Operating Temperature: 0° C to +85° C.



RECOMMENDED PCB LAYOUT
 GENERAL TOLERANCES: ±0.05

产品图 PRODUCT CHART DWG		深圳市精拓金电子有限公司							
公差一览表 TOLERANCE UNLESS OTHERWISE		单位 UNITS	MM	制图 DRAWING	Z-Y-B	制图料号 PRODUCT PART NO.	906-862A1024D10200		
X. ±0.25	X. ±5.°	比例 SCALE	1:1	审核 CHKD		产品名称 PRODUCT NO.	AF10.0侧插短体外鱼叉内O型脚 无边铜壳PBT黑胶		
.X ±0.20	.X ±2.°	日期 DATE	2014.02.20	核准 APPD		角法 VIEW		版本 VER	AO
.XX ±0.15	.XX ±1.°								
.XXX ±0.10	.XXX ±0.5°								