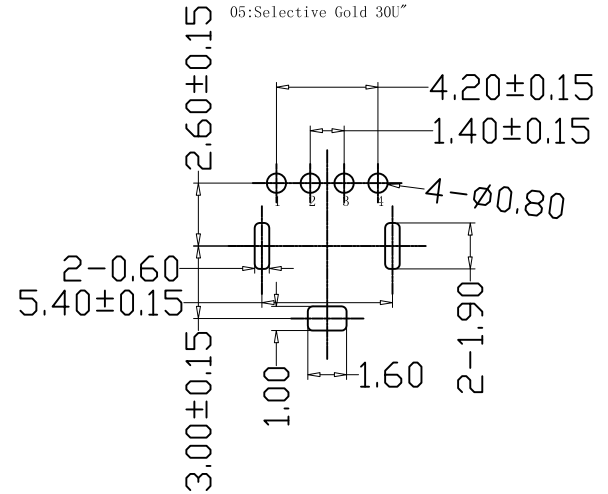
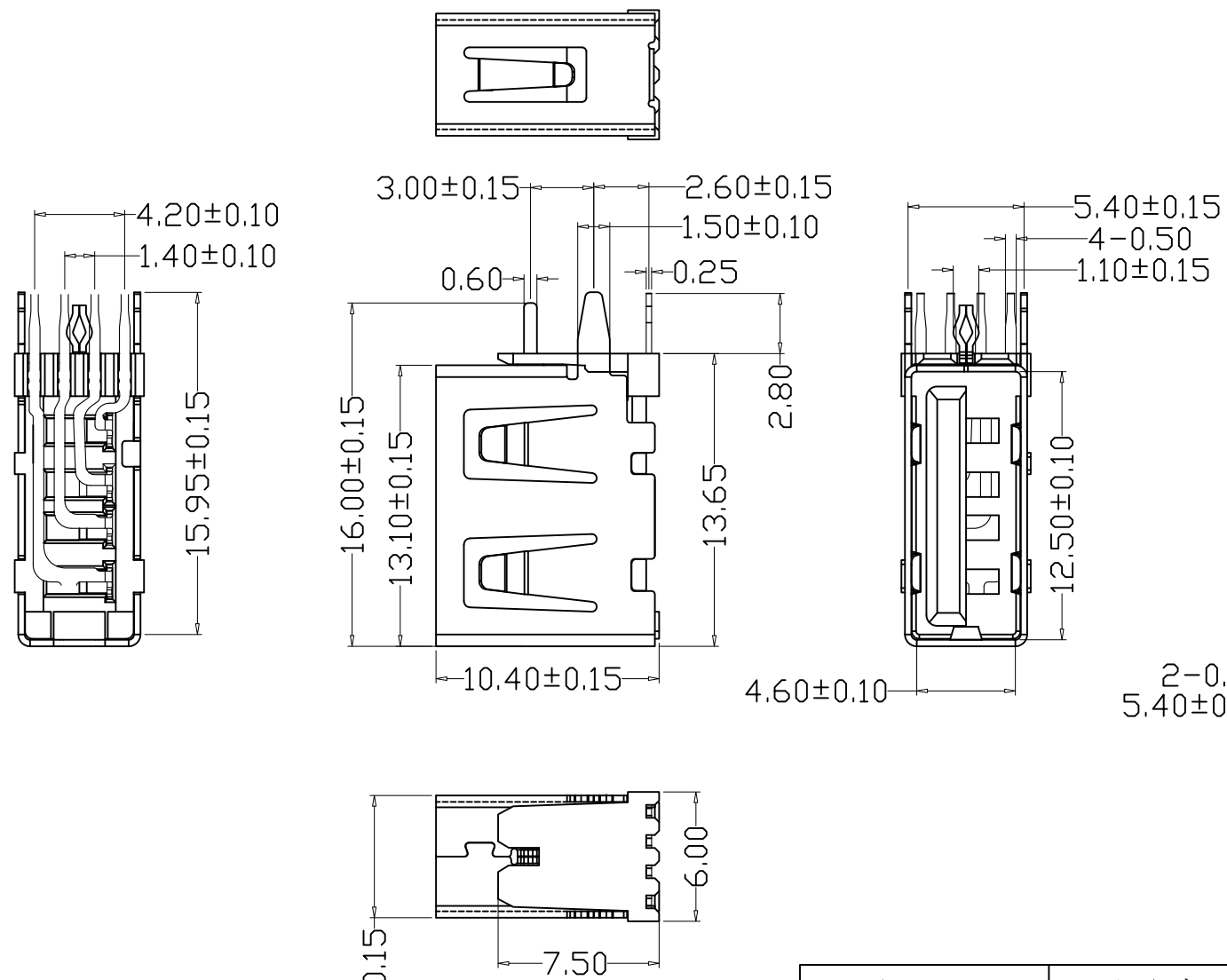


MAPX	MODIFICATION	DATE

NOTE:

- Material:
 - Housing: Thermoplastics, UL94V-0 (ROHS, HF)
 - Contact: Phosphor Bronze C5191-EH/C2680-EH, T=0.25mm
 - Shell: COPPER ALLOY T=0.30mm
- FINISH:
 - Contact: 15u" Gold Plated on Contact Area, 80u" Min. Tin Plated on Solder Area
 - 50u" Min. Nickel Underplating Over All.
 - Shell: 50u" Min. Nickel Underplating Over All.
- Specification:
 - Rating:
 - Rated voltage 500V AC/DC. Rated current: 2 A Max.
 - Electrical:
 - Insulation Resistance(EIA-364-21): 1000MΩ Min. at 500V/DC for 1Minute.
 - Contact Resistance(EIA-364-23): 30 mΩ Max. at 20mV Max, 50mA
 - Dielectric Withstanding Voltage(EIA-364-20): No discharge, flashover or breakdown at 500V/AC 1Minute
 - Plug extraction force shall be between 1.0kgf and 2.00kgf
 - Contact finish:
 - 01: Selective Gold Flash
 - 02: Selective Gold 3U"
 - 03: Selective Gold 5U"
 - 04: Selective Gold 15U"
 - 05: Selective Gold 30U"



产品图 PRODUCT CHART DWG		深圳市精拓金电子有限公司					
公差一览表 TOLERANCE UNLESS OTHERWISE		单位	制图	Z-Y-B	制图料号	906-562B1014D10200	
X.	±0.25	MM	DRAWING		产品名称	AF10.0侧插短体外直内0型脚无边	
.X	±0.20	SCALE	审核		产品 No.	铜壳反向PBT白胶	
.XX	±0.15	日期	核准		角法	版本	
.XXX	±0.10	DATE	APPD	2014.07.20	VIEW	VER	
						AO	