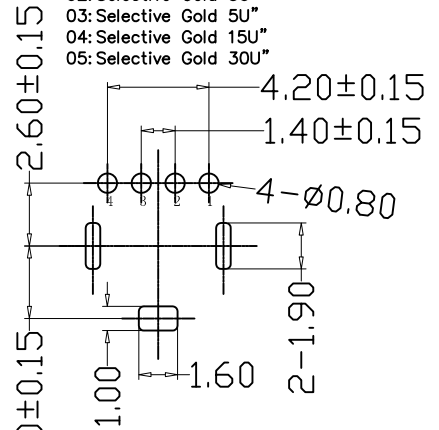
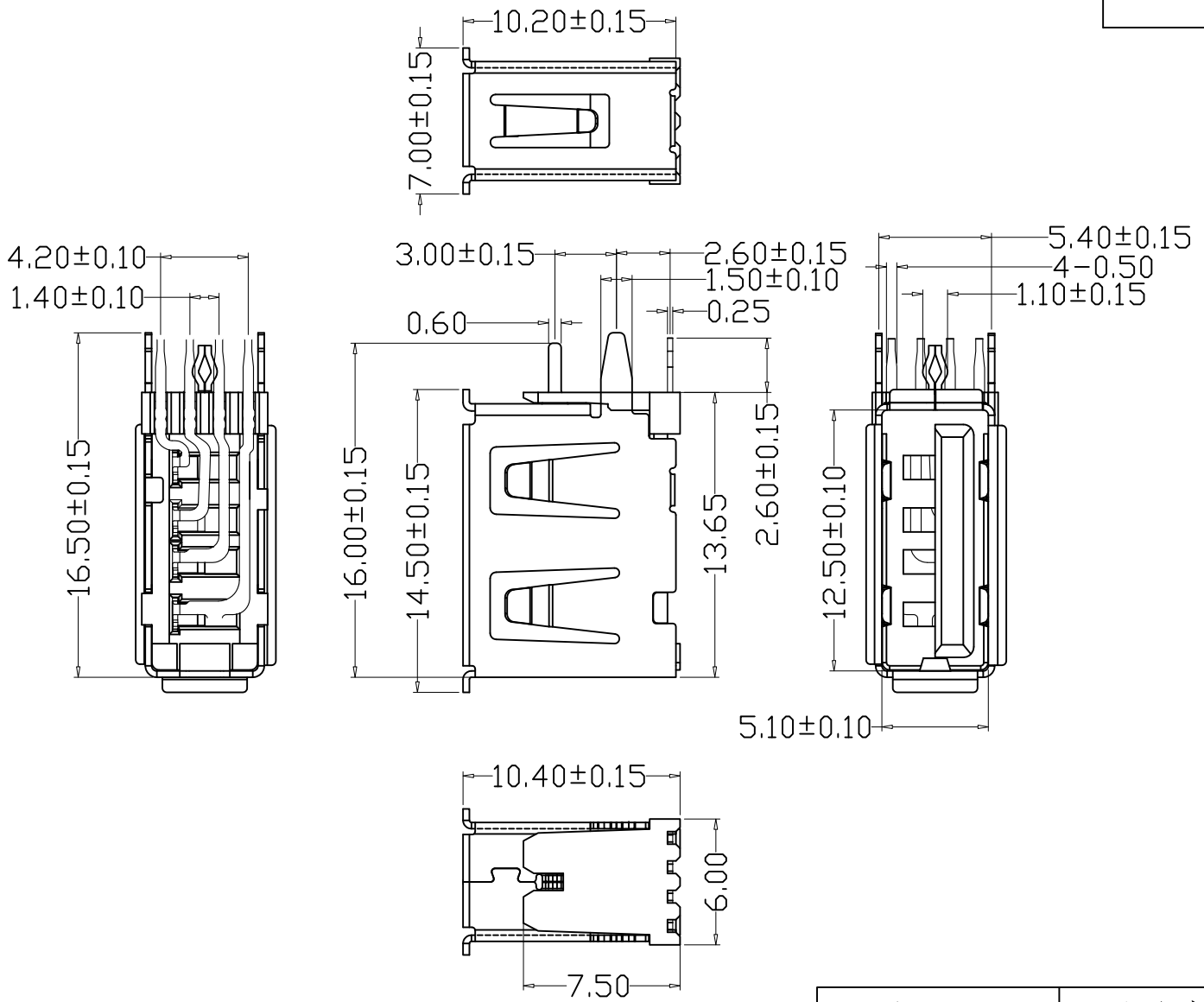


MAPX	MODIFICATION	DATE

NOTE:

- Material:  
Housing: Thermoplastics  
Contact: Phosphor Bronze C5191-EH/C2680-EH, T=0.25mm  
Shell: COPPER ALLOY T=0.30mm
- FINISH:  
Contact: 15u" Gold Plated on Contact Area,  
80u" Min.Tin Plated on Solder Area  
50u" Min.Nickel Underplating Over All.  
Shell: 50u" Min.Nickel Underplating Over All.
- Specification:  
3.1: Rating:  
Rated voltage 500V AC/DC. Rated current: 2 A Max.  
3.2: Electrical:  
Insulation Resistance(EIA-364-21):  
1000M $\Omega$  Min. at 500V/DC for 1Minute.  
Contact Resistance(EIA-364-23):  
30 m $\Omega$  Max. at 20mV Max, 50mA  
Dielectric Withstanding Voltage(EIA-364-20):  
No discharge, flashover or breakdown at 500V/AC  
1Minute
- Plug extraction force shall be between 1.0kgf and 2.00kgf
- Contact finish:  
01: Selective Gold Flash  
02: Selective Gold 3U"  
03: Selective Gold 5U"  
04: Selective Gold 15U"  
05: Selective Gold 30U"



产品图 PRODUCT CHART DWG		深圳市精拓金电子有限公司							
公差一览表 TOLERANCE UNLESS OTHERWISE		单位 UNITS	MM	制图 DRAWING	Z-Y-B	制图料号 PRODUCT PART NO.	906-552A1014D10200		
X.	±0.25	X.	±5.°	比例 SCALE	1:1	审核 CHKD	产品名称 PRODUCT NO.		
.X	±0.20	.X	±2.°	日期 DATE	2014.02.20	核准 APPD	角法 VIEW		
.XX	±0.15	.XX	±1.°				版本 VER	AO	
.XXX	±0.10	.XXX	±0.5°						