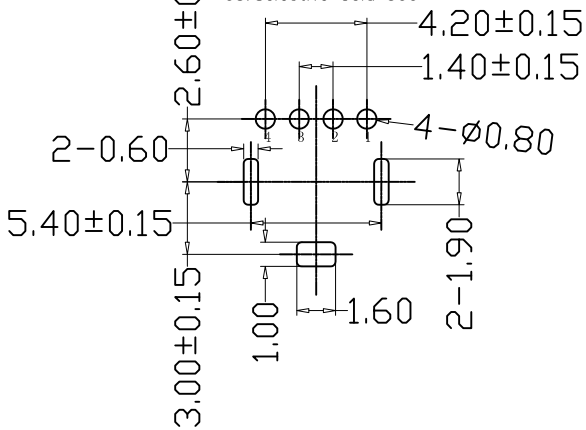
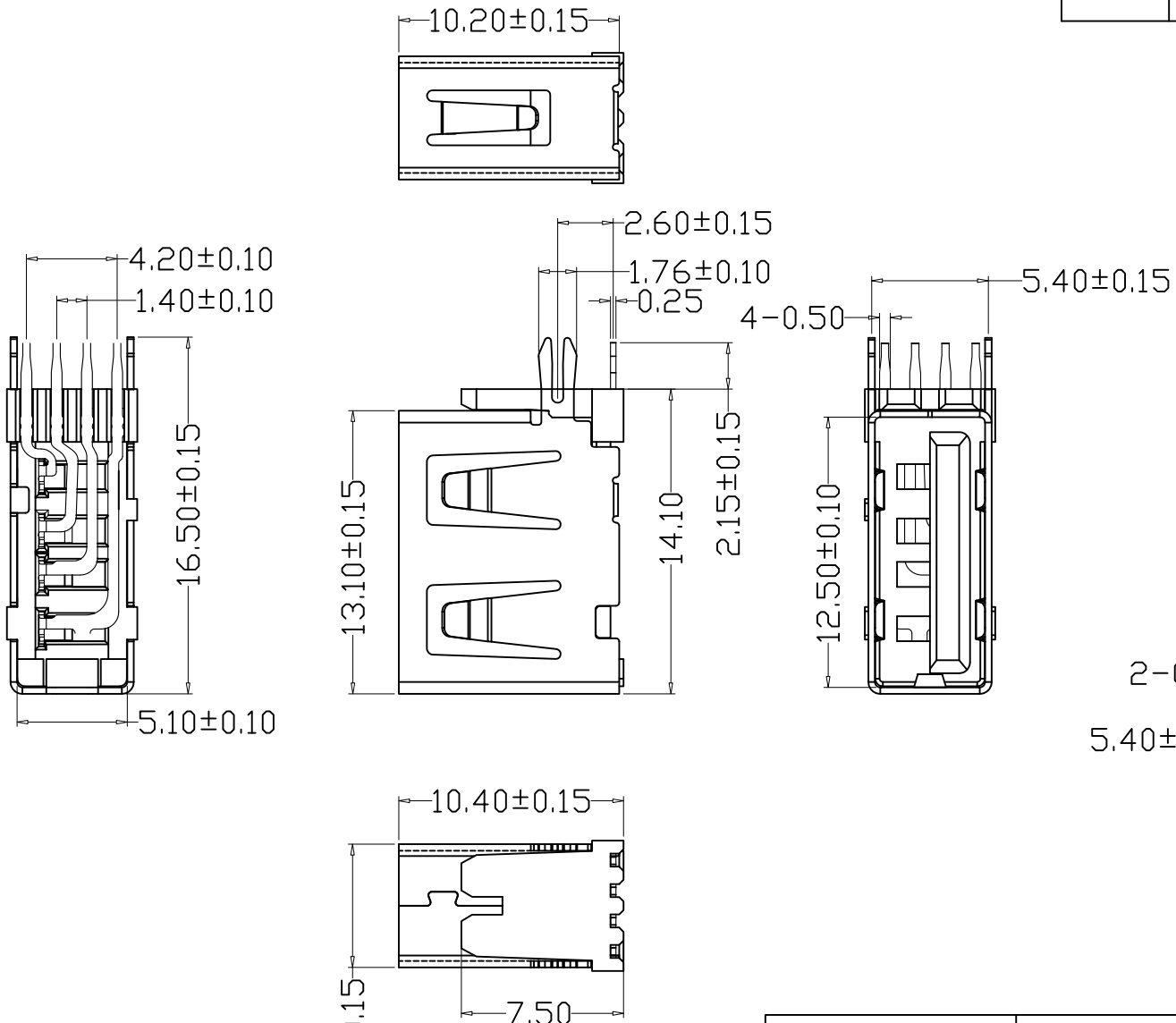


MAPX	MODIFICATION	DATE

NOTE:  
 1. Material:  
 Housing: Thermoplastics  
 Contact: Phosphor Bronze C5191-EH/C2680-EH, T=0.25mm  
 Shell: COPPER ALLOY T=0.30mm  
 2. FINISH:  
 Contact: 15u" Gold Plated on Contact Area,  
 80u" Min.Tin Plated on Solder Area  
 50u" Min.Nickel Underplating Over All.  
 Shell: 50u" Min.Nickel Underplating Over All.  
 3. Specification:  
 3.1: Rating:  
 Rated voltage 500V AC/DC. Rated current: 2 A Max.  
 3.2: Electrical:  
 Insulation Resistance(EIA-364-21):  
 1000M $\Omega$  Min. at 500V/DC for 1Minute.  
**Contact Resistance(EIA-364-23):**  
 30 m $\Omega$  Max. at 20mV Max, 50mA  
**Dielectric Withstanding Voltage(EIA-364-20):**  
 No discharge, flashover or breakdown at 500V/AC  
 1Minute  
 4. Plug extraction force shall be between 1.0kgf and 2.00kgf  
 5. Contact finish:  
 01: Selective Gold Flash  
 02: Selective Gold 3U"  
 03: Selective Gold 5U"  
 04: Selective Gold 15U"  
 05: Selective Gold 30U"



RECOMMENDED PCB LAYOUT  
 GENERAL TOLERANCES:  $\pm 0.05$

<b>产品图</b> PRODUCT CHART DWG				<b>深圳市精拓金电子有限公司</b>						
公差一览表 TOLERANCE UNLESS OTHERWISE				单位 UNITS	MM	制图 DRAWING	Z-Y-B	制图料号 PRODUCT PART NO.	906-861A2116D10210	
X.	$\pm 0.25$	X.	$\pm 5^\circ$	比例 SCALE	1:1	审核 CHKD		产品名称 PRODUCT NO.	AF10.0侧插短体外鱼叉内无脚无边铁壳加厚PBT橙胶	
.X	$\pm 0.20$	.X	$\pm 2^\circ$	日期 DATE	2014.02.20	核准 APPD		角法 VIEW		版本 VER
.XX	$\pm 0.15$	.XX	$\pm 1^\circ$							A0
.XXX	$\pm 0.10$	.XXX	$\pm 0.5^\circ$							