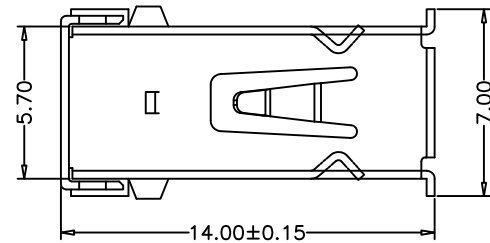
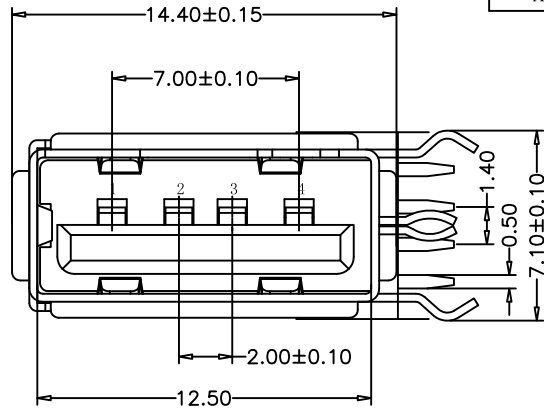
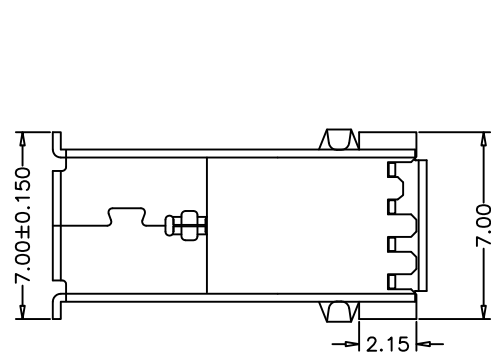


REV	MODIFICATION	DATE
A0	胶芯变更	2013.12.20



NOTE:

1. Material:

Housing: Thermoplastics, UL94V-0 (ROHS, HF)  
 Contact: Phosphor Bronze C5191-EH/C2680-EH, T=0.25mm  
 Shell: COPPER ALLOY T=0.30mm

2. FINISH:

Contact: 15u" Gold Plated on Contact Area,  
 80u" Min. Tin Plated on Solder Area  
 50u" Min. Nickel Underplating Over All.  
 Shell: 50u" Min. Nickel Underplating Over All.

3. Specification:

3.1: Rating:

Rated voltage 500V AC/DC. Rated current: 2 A Max.

3.2: Electrical:

Insulation Resistance (EIA-364-21):  
 1000MΩ Min. at 500V/DC for 1Minute.

Contact Resistance (EIA-364-23):  
 30 mΩ Max. at 20mV Max, 50mA

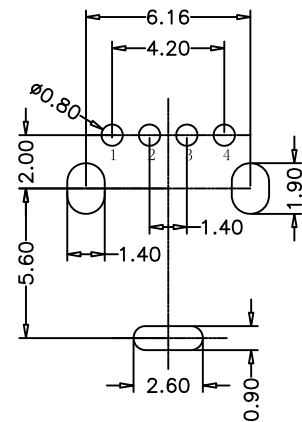
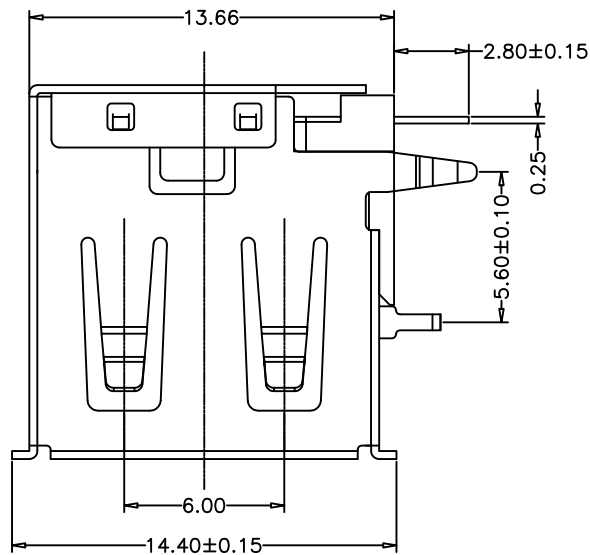
Dielectric Withstanding Voltage (EIA-364-20):

No discharge, flashover or breakdown at 500V/AC 1Minute

4. Plug extraction force shall be between 1.0kgf and 2.00kgf

5. Contact finish:

- 01: Selective Gold Flash
- 02: Selective Gold 1U"
- 03: Selective Gold 3U"
- 04: Selective Gold 5U"
- 05: Selective Gold 15U"
- 06: Selective Gold 30U"



RECOMMENDED PCB LAYOUT  
 GENERAL TOLERANCES: ±0.05

<b>产品图</b> PRODUCT CHART DWG		<b>深圳市精拓金电子有限公司</b>							
公差一览表 TOLERANCE UNLESS OTHERWISE		单位	MM	制图	Z-Y-B	制图料号	906-451A1021D10200		
X	±0.25	X	±5.°	审核		产品名称	AF14.0侧插短体外弯内0型脚有边		
.X	±0.20	.X	±2.°	核准		PRODUCT NO.	铁壳PBT黑胶		
.XX	±0.15	.XX	±1.°	日期	2013.12.20	角法	版本	AO	
.XXX	±0.10	.XXX	±0.5°	APPD		VIEW	REV		