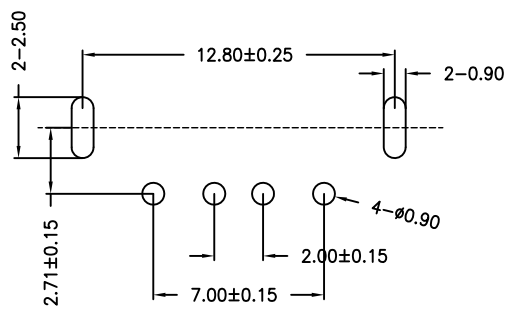
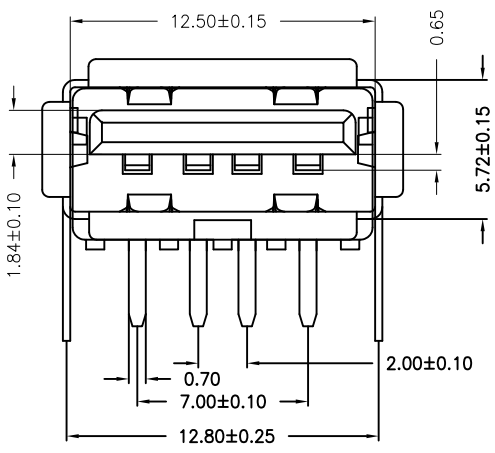
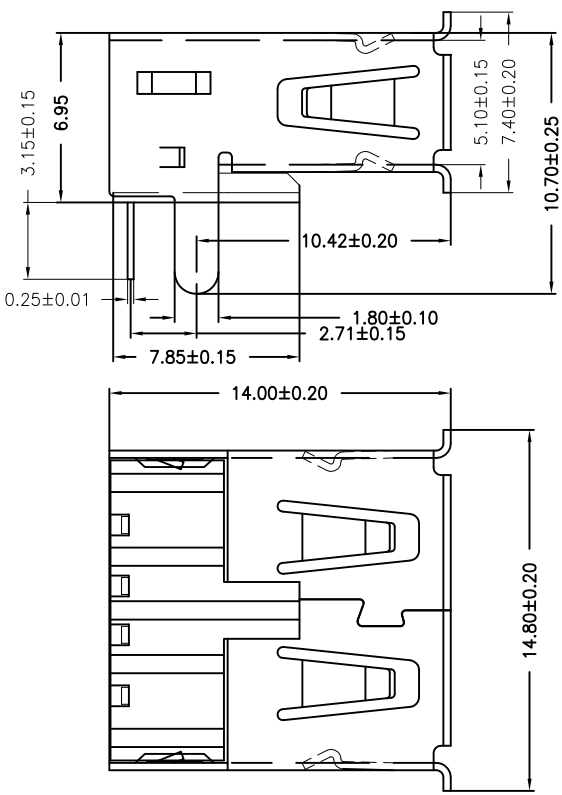


目錄 <i>MAPX</i>	設變內容 <i>MODIFICATION</i>	日期 <i>DATE</i>



PCB LAYOUT

NOTES:
Housing: Thermoplastics,UL94V-0
Contact: Copper Alloy
Shell: Copper Alloy/Steel
Voltage Current Rating:1.5 AMP. 30V AC
Insulation Resistance:1000MΩ Min.
Contact Resistance:30 MΩ Max.
Dielectric Withstanding Voltage:500W AC
Temperature Range:-35°C to +85°C
Insulator color: Black/White
Plastic material:PBT/LCP/Others
Shell finish:Nickel plated/Tin-Lead plated
Mechanical:
Mating Force:3.5KG MAX
Unmating Force:1.02 KG MIN.
Contact finish:
01: Selective Gold Flash
02: Selective Gold 3U”
03: Selective Gold 5U”
04: Selective Gold 15U”
05: Selective Gold 30U”

产品图 PRODUCT CHART DWG				深圳市精拓金电子有限公司						
公差一览表 TOLERANCE UNLESS OTHERWISE				单位 UNITS	MM	制图 DRAWING	Z-Y-B	产品料号 PRODUCT PART NO.	903-232A2021D10110	
X.	±0.25	X'	±5'	比例 SCALE	1:1	审核 CHKD	产品名称 PRODUCT NO.	AF90度无后盖直脚有边内弹14.0 铜壳T型LCP黑胶		
.XX	±0.20	.X'	±2'							
.XX	±0.15	.XX'	±1'	日期 DATE	2015.03.14	核准 APPD	角法 VIEW	版本 VER	A0	
.XXX	±0.10	.XXX'	±0.5'							