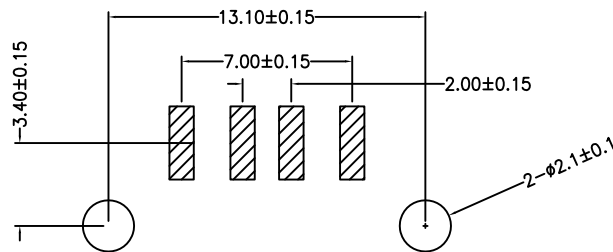
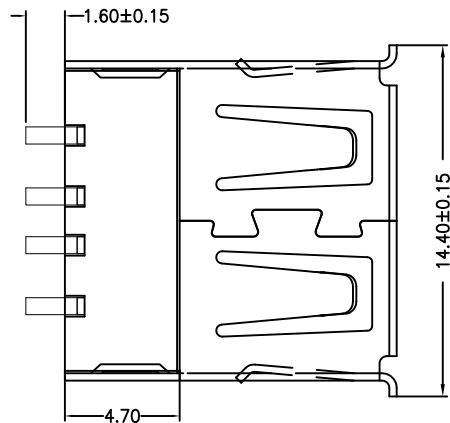
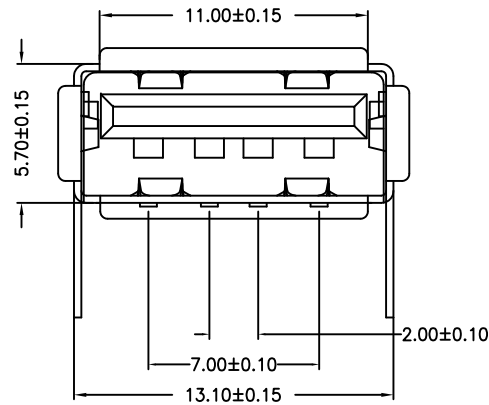
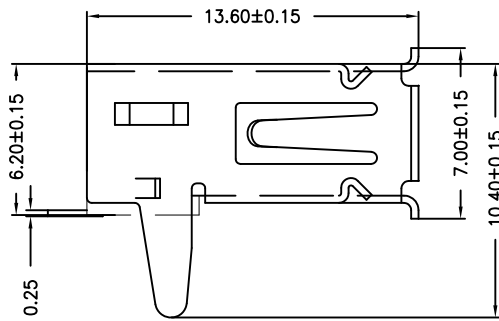


A/F无后盖有边直脚/SMT (5.85)

目錄 MAPX	设变内容 MODIFICATION	日期 DATE



RBCOMMENDBD P.C.B PATTBRN LAYO UT

备注：侧弹分为外弹与内弹

NOTES:

Housing: Thermoplastics,UL94V-0
 Contact: Copper Alloy
 Shell: Copper Alloy/Steel
 Voltage Current Rating:1.5 AMP. 30V AC
 Insulation Resistance:1000MΩ Min.
 Contact Resistance: 30 MΩ Max.
 Dielectric Withstanding Voltage:500W AC
 Temperature Range:-35°C to +85°C
 Insulator color: Black/White
 Plastic material:PBT/LCP/Others
 Shell finish:Nickel plated/Tin-Lead plated
 Mechanical:
 Mating Force: 3.5KG MAX
 Unmating Force:0.7 KG MIN.
 Contact finish:

- 01: Selective Gold Flash
- 02: Selective Gold 3U"
- 03: Selective Gold 5U"
- 04: Selective Gold 15U"
- 05: Selective Gold 30U"

产品图 PRODUCT CHART DWG

公差一览表 TOLERANCE UNLESS OTHERWISE			
X.	±0.35	X'.	±5'
.X	±0.25	.X'	±2'
.XX	±0.15	.XX'	±1'
.XXX	±0.10	.XXX'	±0.5'

深圳市精拓金电子有限公司

单位 UNITS	MM	制图 DRAWING	Z-Y-B	产品料号 PRODUCT PART NO.	903-232A1014S10100
比例 SCALE	1:1	审核 CHKD	雷永键	产品名称 PRODUCT NO.	AF无后盖直脚有边内弹改模后铜壳 一型5.85PBT白胶SMT 高6.2
日期 DATE	2014/05/24	核准 APPD	雷永键	角法 VIEW	⊕ ⊖ 版本 VER
					A0