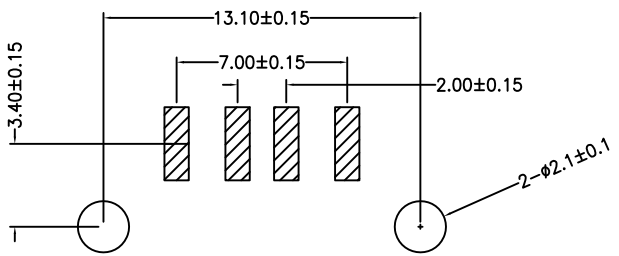
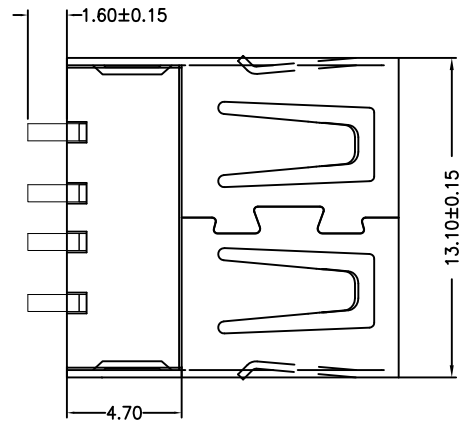
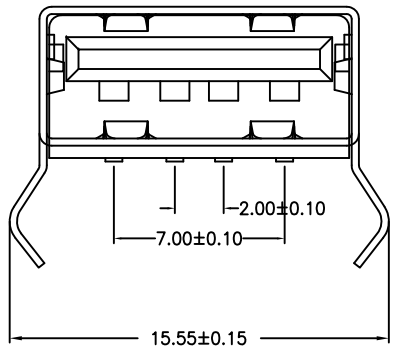
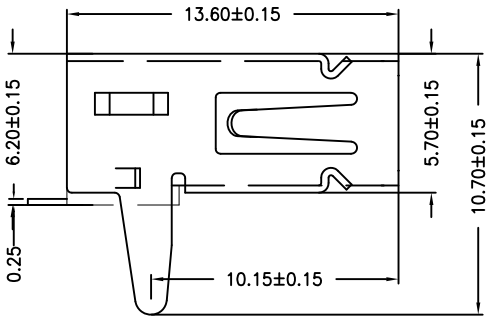


A/F无后盖无边弯脚/SMT (5.85)

目錄 MAPX	设变内容 MODIFICATION	日期 DATE

NOTES:

- Housing: Thermoplastics,UL94V-0
- Contact: Copper Alloy
- Shell: Copper Alloy/Steel
- Voltage Current Rating:1.5 AMP. 30V AC
- Insulation Resistance:1000MΩ Min.
- Contact Resistance: 30 MΩ Max.
- Dielectric Withstanding Voltage:500W AC
- Temperature Range:-35°C to +85°C
- Insulator color: Black/White
- Plastic material:PBT/LCP/Others
- Shell finish:Nickel plated/Tin-Lead plated
- Mechanical:
- Mating Force: 3.5KG MAX
- Unmating Force:0.7 KG MIN.
- Contact finish:
 - 01: Selective Gold Flash
 - 02: Selective Gold 3U"
 - 03: Selective Gold 5U"
 - 04: Selective Gold 15U"
 - 05: Selective Gold 30U"



RBCOMMENDBD P.C.B PATTRN LAYD UT

备注：侧弹分为外弹与内弹

产品图 PRODUCT CHART DWG				深圳市精拓金电子有限公司							
公差一览表 TOLERANCE UNLESS OTHERWISE				单位 UNITS	MM	制图 DRAWING	Z-Y-B	产品料号 PRODUCT PART NO.	903-141A1014S10200		
X.	±0.35	X'	±5'	比例 SCALE	1:1	审核 CHKD	雷永键	产品名称 PRODUCT NO.	AF无后盖弯脚无边内弹改模后铁壳一型5.85PBT白胶SMT 高6.2		
.XX	±0.15	.XX'	±1'					角法 VIEW	⊕	版本 VER	A0
.XXX	±0.10	.XXX'	±0.5'					日期 DATE	2014/05/24	核准 APPD	雷永键