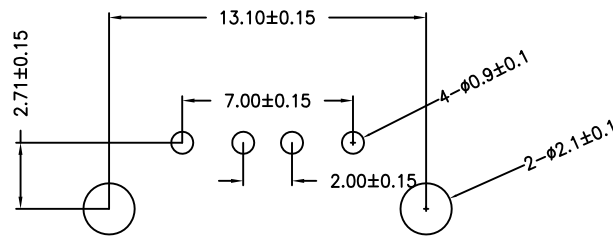
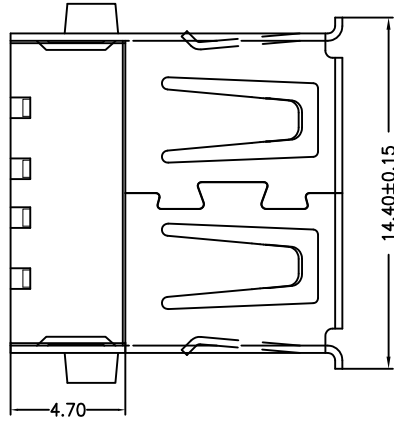
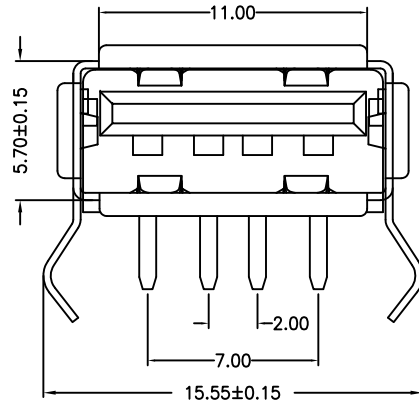
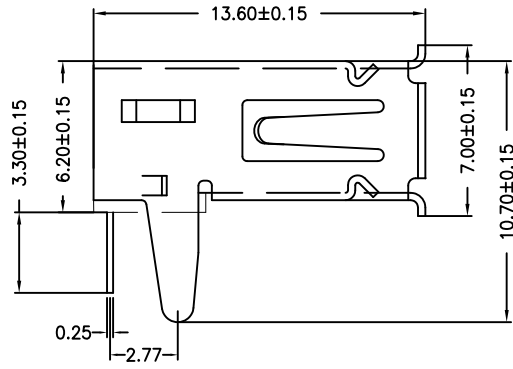


# A/F无后盖有边弯脚/DIP (5.85)

目錄 MAPX	设变内容 MODIFICATION	日期 DATE



RBCOMMENDBD P.C.B PATTBRN LAYO UT

备注：侧弹分为外弹与内弹

## NOTES:

Housing: Thermoplastics,UL94V-0

Contact: Copper Alloy

Shell: Copper Alloy/Steel

Voltage Current Rating:1.5 AMP. 30V AC

Insulation Resistance:1000MΩ Min.

Contact Resistance: 30 MΩ Max.

Dielectric Withstanding Voltage:500W AC

Temperature Range:-35°C to +85°C

Insulator color: Black/White

Plastic material:PBT/LCP/Others

Shell finish:Nickel plated/Tin-Lead plated

Mechanical:

Mating Force: 3.5KG MAX

Unmating Force:0.7 KG MIN.

Contact finish:

01: Selective Gold Flash

02: Selective Gold 3U"

03: Selective Gold 5U"

04: Selective Gold 15U"

05: Selective Gold 30U"

### 产品图 PRODUCT CHART DWG

公差一览表 TOLERANCE UNLESS OTHERWISE			
X.	±0.35	X'	±5'
.X	±0.25	.X'	±2'
.XX	±0.15	.XX'	±1'
.XXX	±0.10	.XXX'	±0.5'

## 深圳市精拓金电子有限公司

单位 UNITS	MM	制图 DRAWING	Z-Y-B	产品料号 PRODUCT PART NO.	903-132A1014D10110
比例 SCALE	1:1	审核 CHKD	雷永键	产品名称 PRODUCT NO.	AF90度无后盖弯脚有边内弹改模后铜壳一型5.85PBT白胶高6.2
日期 DATE	2014/05/24	核准 APPD	雷永键	角法 VIEW	⊕ ⊖ 版本 VER
					A0