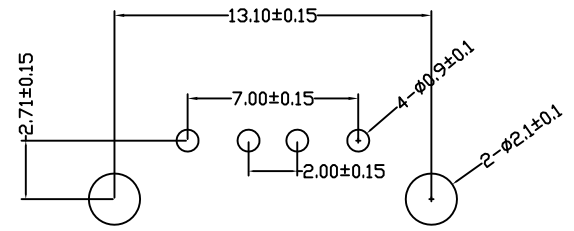
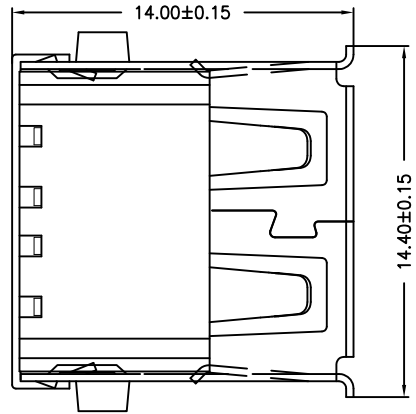
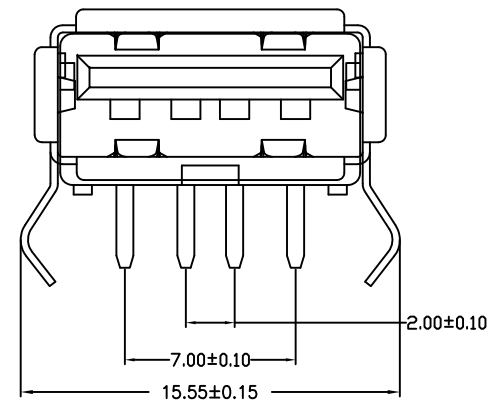
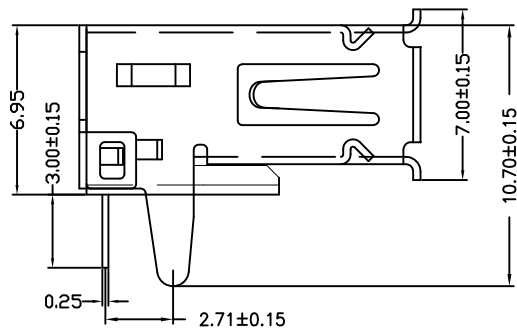


目錄 MAPX	设变内容 MODIFICATION	日期 DATE



RBCOMMENDBD P.C.B PATTBRN LAYO UT

备注：侧弹分为外弹与内弹

NOTES:
Housing: Thermoplastics
Contact: Copper Alloy
Shell: Copper Alloy/Steel
Voltage Current Rating: 1.5 AMP. 30V AC
Insulation Resistance: 1000MΩ Min.
Contact Resistance: 30 MΩ Max.
Dielectric Withstanding Voltage: 500V AC
Temperature Range: -35°C to +85°C
Insulator color: Black/White
Plastic material: PBT/LCP/Others
Shell finish: Nickel plated/Tin-Lead plated
Mechanical:
Mating Force: 3.5KG MAX
Unmating Force: 0.7 KG MIN.
Contact finish:
01: Selective Gold Flash
02: Selective Gold 3U"
03: Selective Gold 5U"
04: Selective Gold 15U"
05: Selective Gold 30U"

产品图 PRODUCT CHART DWG				深圳市精拓金电子有限公司					
公差一览表 TOLERANCE UNLESS OTHERWISE				单位 UNITS	MM	制图 DRAWING	Z-Y-B	产品料号 PRODUCT PART NO.	901-132A1016D10200
X.	±0.25	X'	±5'	比例 SCALE	1:1	审核 CHKD	产品名称 PRODUCT NO.	AF90度外扣弯脚有边内弹铜壳 贴板无柱PBT防火白胶	
.XX	±0.15	.XX'	±1'					日期 DATE	2014/10/20
.XXX	±0.10	.XXX'	±0.5'			核准 APPD			