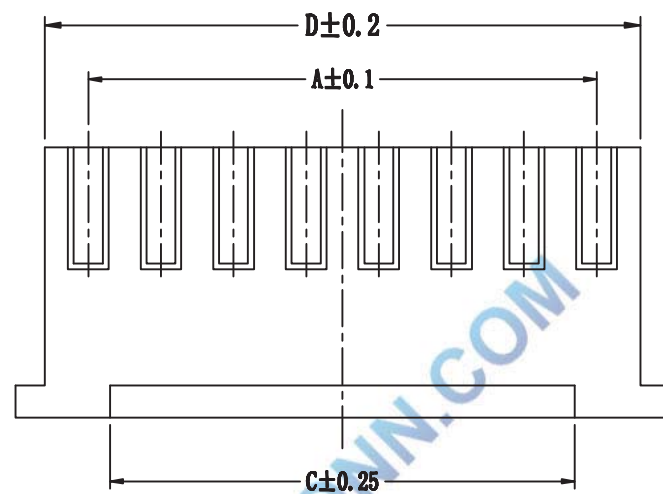


环保物料

TEL: 0769-82001899

Poles	A	B	C	D
2	2.5	7.5	3.5	5.7
3	5.0	10.0	6.0	8.2
4	7.5	12.5	8.5	10.7
5	10.0	15.0	11.0	13.2
6	12.5	17.5	13.5	15.7
7	15.0	20.0	16.0	18.2
8	17.5	22.5	18.5	20.7
9	20.0	25.0	21.0	23.2
10	22.5	27.5	23.5	25.7
11	25.0	30.0	26.0	28.2
12	27.5	32.5	28.5	30.7
13	30.0	35.0	31.0	33.2
14	32.5	37.5	33.5	35.7
15	35.0	40.0	36.0	38.2
16	37.5	42.5	38.5	40.7



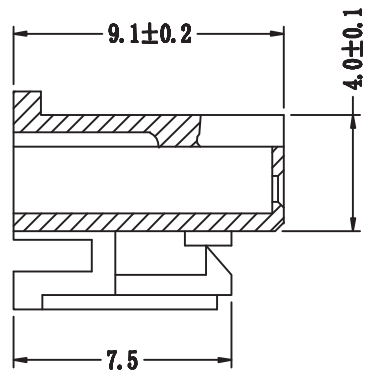
**SPECIFICATIONS**

- 1.Voltage rating: 250V AC, DC
- 2.Current rating: 3A, AC, DC
- 3.Withstanding Voltage: 1000V AC/minute
- 4.Insulation resistance:1000MΩ min
- 5.Temperature range: -25° C +85° C
- 6.Contact resistance: 10mΩ max

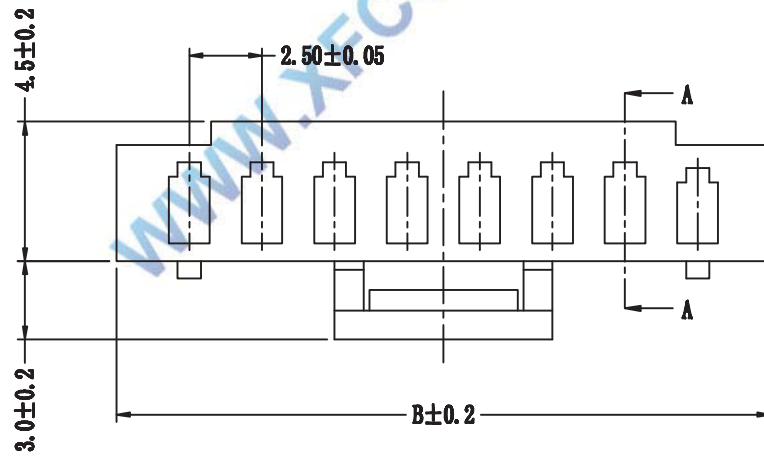
**HOUSING**

Housing Material: Nylon66 UL94V-0(2)  
 Mates with: M2501F series header  
 Poles : 02-20P  
 PartNo.:P2501L-xx-N0

Pin位数



SEC A-A



				TOLERANCE UNLESS OTHERWISE		DRAWN	CK tan	<b>XFCN</b> 兴飞连接器有限公司 CONNECTORS XFCN CONNECTORS CO., LTD.		SHEET	1/1	
				X.	$\pm 0.30$	X°	$\pm 5^\circ$			CHKD	DATE	2010. 4. 12
				.X	$\pm 0.20$	.X°	$\pm 2^\circ$	APPD	PRODUCT NAME	2.50mm Crimp Style Connectors		
				.XX	$\pm 0.08$	.XX°	$\pm 1^\circ$	VIEW	PART. NO.	P2501L-xx-N0	UNITS	mm
				.XXX	$\pm 0.03$	.XXX°	$\pm 0.5^\circ$				SCALE	1:1
AO	MODIFICATION		DRAW	DATE								