

244 Brick Fuse



Main Characteristics
Brick Fuse; Time-Lag(T)

Standard

UL248-14

Materials

Body: Ceramic
End Caps: Copper plated with silver

Operating Temperature

-55°C to +125°C

Stock Temperature

+10°C to +60°C

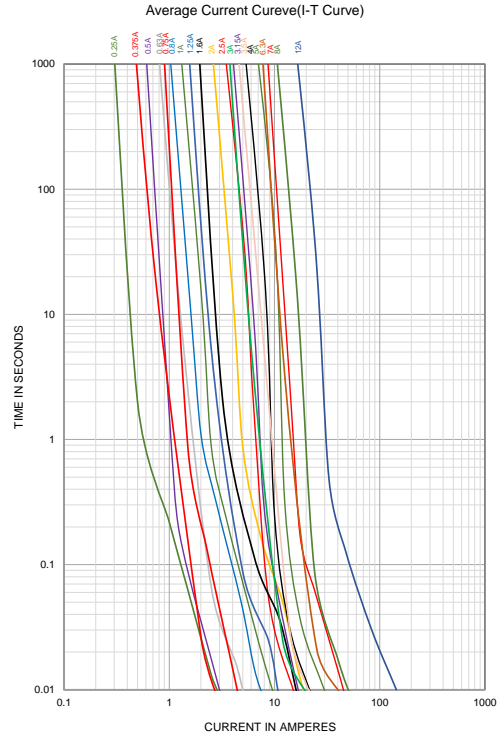
Relative humidity: ≤75% yearly average
Without dew, maximum 30 days at 95%

Vibration Resistance

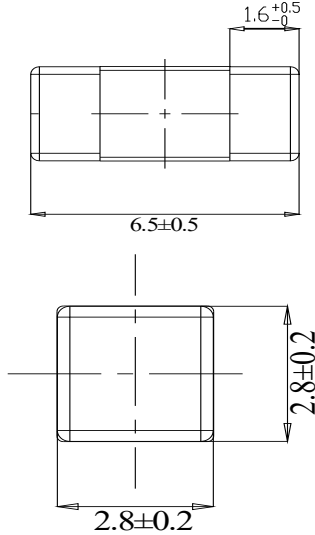
24 cycles at 15 min. each (60068-6)
10-60Hz at 0.75mm amplitude
60-2000Hz at 10g acceleration

Soldering Parameters

260°C. ≤10 sec (Wave Soldering)
350°C. ≤3 sec (Hand Soldering)
Soldering Peak:
260°C. 10 sec.
280°C. 5 sec. (IEC 60068-20)



Dimensions(unit:mm)



Time vs Current Characteristics: UL248-14

Rated Current	100%	200%
250mA~12A	>4h	<120s



Electrical Characteristics at 25°C

Amp Code	Rated Current	Rated Voltage	Typical Voltage Drop Max(mV)	Breaking Capacity	Typical Melting I²T (A²s)	Typical cold Resistance (mΩ)	Approvals				
							cURus	CQC	TUV	KC	PSE
0250	250mA	125V AC 250V AC 125V DC	800	100A@125V AC 100A@250V AC 50A@125V DC	0.050	786.2	•	○	○	○	○
0315	315mA		750		0.053	1388	•	○	○	○	○
0375	375mA		700		0.073	980	•	○	○	○	○
0400	400mA		700		0.060	966.2	•	○	○	○	○
0500	500mA		600		0.055	602	•	•	•	•	○
0630	630mA		500		0.220	396	•	○	•	○	○
0750	750mA		500		0.168	350	•	○	○	○	○
0800	800mA		400		0.512	306	•	○	•	○	○
1100	1.00A		400		0.870	246	•	•	•	•	•
1125	1.25A		300		0.830	165.9	•	○	•	○	○
1160	1.60A		300		1.690	124	•	○	•	○	○
1200	2.00A		300		3.480	88.5	•	•	•	•	•
1250	2.50A		300		2.060	23.3	•	•	•	•	○
1300	3.00A		300		2.160	21.6	•	○	○	○	○
1315	3.15A		300		2.480	20.6	•	•	•	•	○
1350	3.50A		300		4.500	19.5	•	○	○	○	○
1400	4.00A		300		3.840	15.4	•	•	•	•	○
1500	5.00A		300		7.500	11.8	•	•	•	•	○
1630	6.30A		300		9.600	9.00	•	•	•	•	○
1700	7.00A		300		12.74	8.24	•	○	•	○	○
1800	8.00A	300	21.60	6.40	○	○	○	○	○		
2120	12.00A	300	79.00	5.00	○	○	○	○	○		

- Note:** (1) Permissible continuous operating current is ≤100% at ambient temperature of 23°C (73.4°F)
 (2) The current values used for calculating I²T should be within the standard 10In.
 (3) The TUV certification only for 250VAC and 125VDC; the CQC, KC certification only for 250V; the cURus certification for all voltage.
 (4) 250mA No sand filling

Ordering Information

Series	Amp Code	Supplementary Code	Qty
244			



Sales Contact
sls01@betterfuse.com

Technical Support
Kenn@betterfuse.com

National High-tech Enterprise
SC 32C National Technical Committee Member of China
Intertek ISO 9001 Certified Company
Intertek ISO 14001 Certified Company
Intertek QC 080000 Certified Company
NQA IATF 16949 Certified Company

国家高新技术企业
SC 32C 国内专家组成员单位
ISO 9001 认证企业
ISO 14001 认证企业
QC 080000 认证企业
IATF 16949 认证体系