

SPECIFICATIONS

Mechanical

Contact Retention Force: 0.10kg min.
Durability : 50 Cycles

Electrical

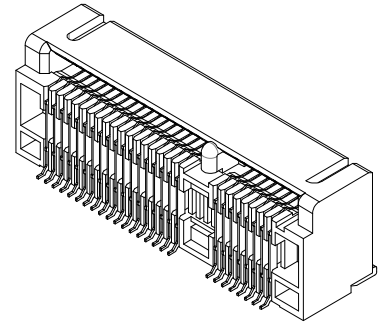
Voltage Rating: 50V
Current Rating: 0.5A
Contact Resistance: 55mΩ max.
Dielectric Withstanding Voltage: 300V AC/1 min.
Insulation Resistance: 100MΩ

Physical

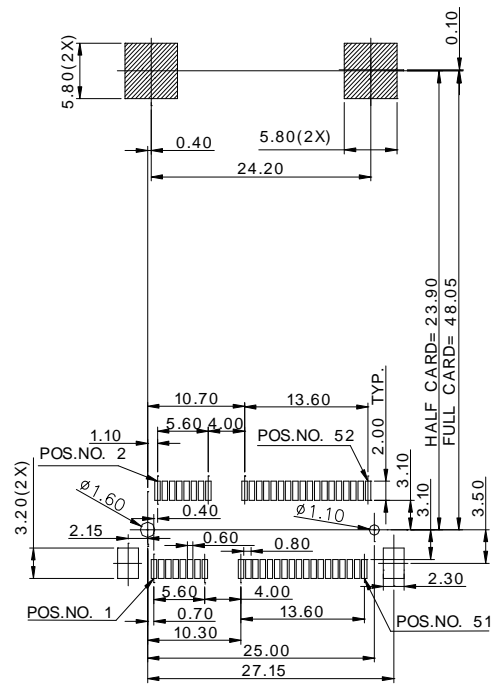
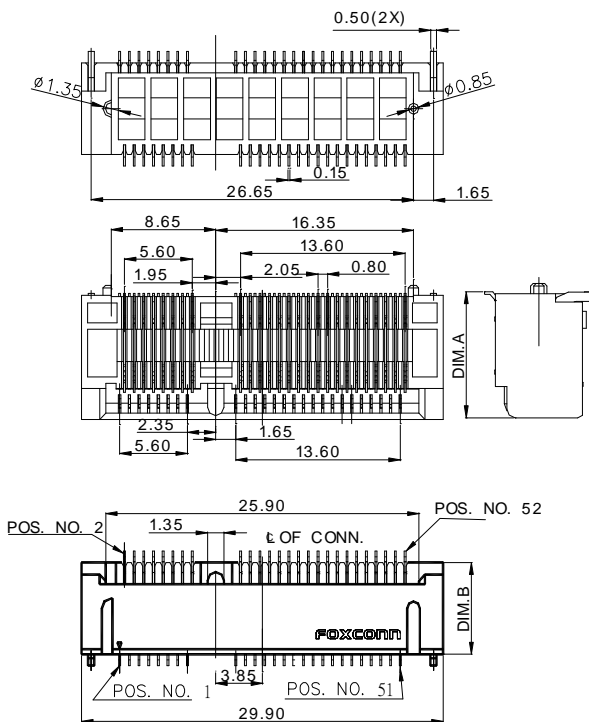
Housing: Thermoplastic, UL 94V-0 rated in Ivory Color
Contact: Copper alloy
Plating: See "ORDERING INFORMATION"
Metal Spring: Copper alloy
Operating Temperature: -55°C to +80°C

MINIPCI EXPRESS Socket

AS Series
5.6mm, 6.8mm,
7.0mm, 8.0mm, 9.0mm,
9.2mm, 9.9mm Height
SMT Type
0.80mm Pitch
52 Pos.



DRAWING



RECOMMENDED P.C.B. BOARD LAYOUT (THICKNESS=1.0mm)

ORDERING INFORMATION

PRODUCT NO.: A S 0 B 2 2 * - S ** Q - 7 H

Memory Module Socket
Horizontal Type
Single Row
No. of Pos.
B2=52Pos.
SMT Type
Contact Area Plating
1=Gold Flash
6=10u" Gold plating

H=Halogen/Lead Free
Package Code
7=Tape Reel
Q=General Type
Conn.Height
56=5.6mm Height
68=6.8mm Height
70=7.0mm Height
80=8.0mm Height
90=9.0mm Height
92=9.2mm Height
99=9.9mm Height
S=Standard Type

AS0B22*-S99Q-7H	9.9	7.20
AS0B22*-S92Q-7H	9.2	7.20
AS0B22*-S90Q-7H	9.0	7.20
AS0B22*-S80Q-7H	8.0	7.20
AS0B22*-S70Q-7H	7.0	7.20
AS0B22*-S68Q-7H	6.8	7.20
AS0B22*-S56Q-7H	5.6	7.20
AS0B22*-S52Q-7H	5.2	7.35
P/N	DIM. A	DIM. B