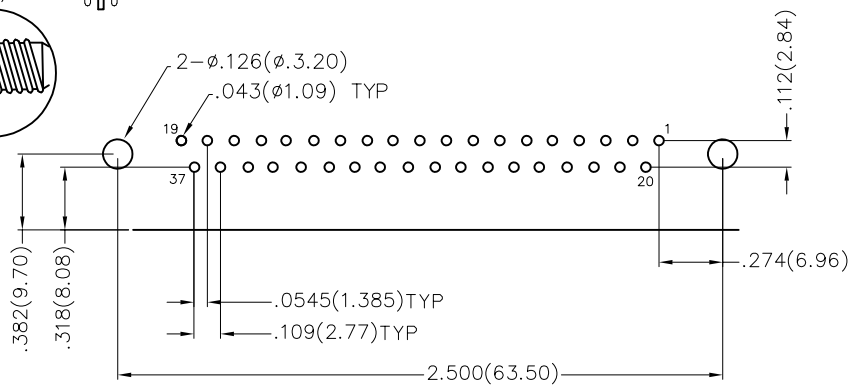
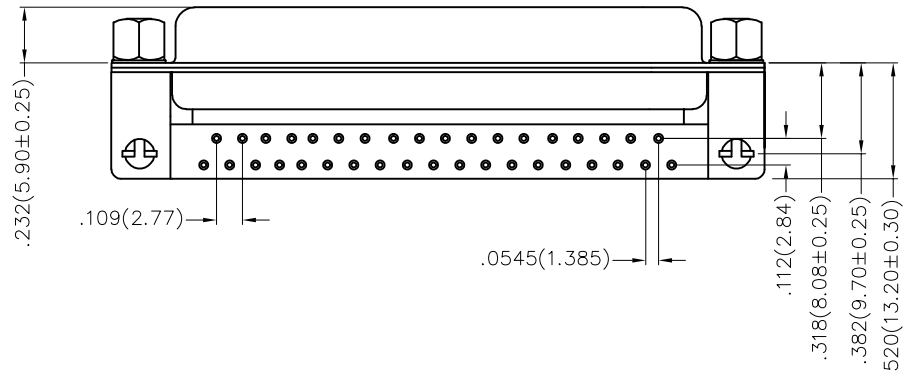
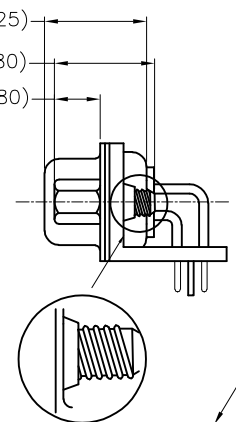
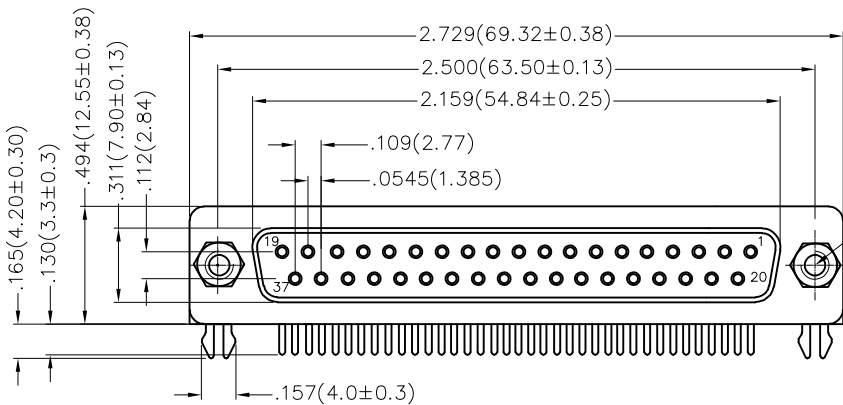


REV	LOCATIONS	DESCRIPTION	DATE	REVISER	APPD

A
B
C
D
E
F

A
B
C
D
E
F




Recommended P.C.Board Layout

Ordering Information

FDM 37 01 - FO D B 1 XX XX X
1 2 3 4 5 6 7 8 9 10

1 Category FDM-Machined pin D-SUB connector	2 Circuits 37	3 Distinction No. 01	4 Type FO-Female	5 Assembly Layout D-DIP	6 Entry Angle B-90° Angle
7 Plating 1-Gold Plated	8 Thickness of Plating 01-1μ" 03-3μ" Custom plate available	9 Color-Resin W1-White K6-Black	10 Packaging K-Tray L-Tube		

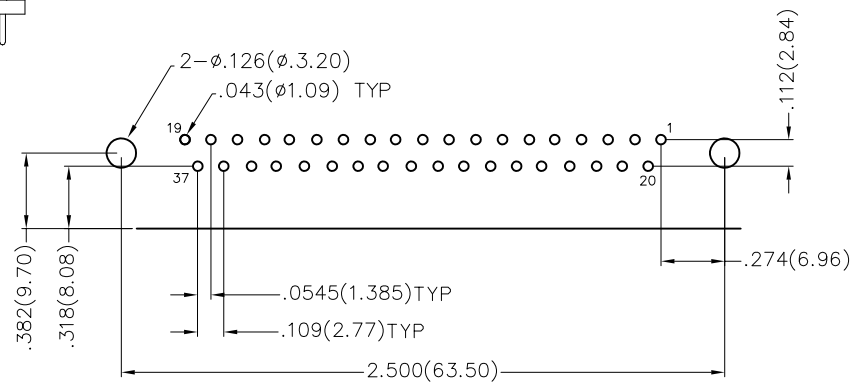
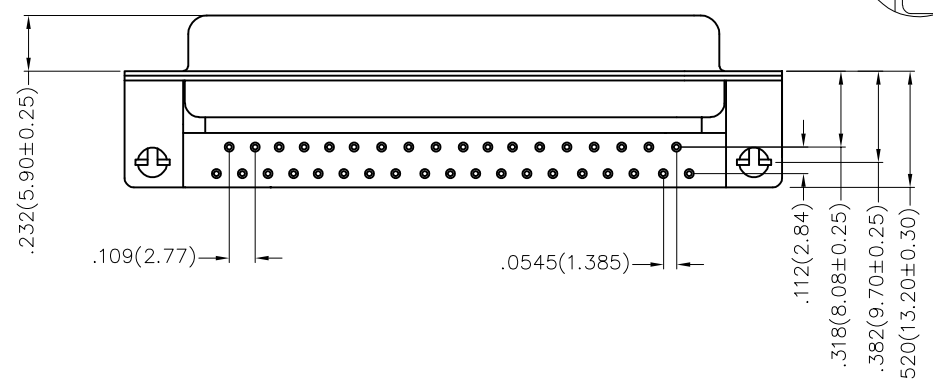
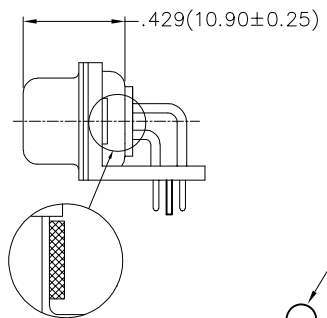
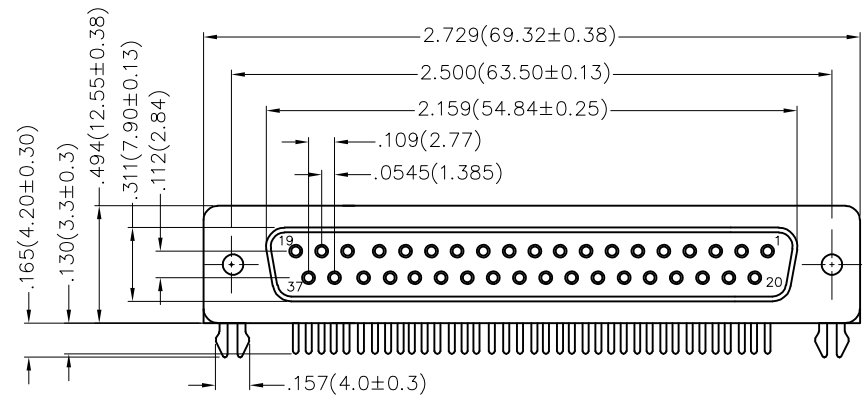
Materials And Finish
 Shell: Spcc Material, Front Nickel Plated 80μ" Min
 Back Shell Tin Plated 100μ" Min
 Insulator: Glass Filled Thermoplastic, UL 94V-0
 Contact Material: Brass /Gold Plated
 Electrical Characteristic
 Current Rating: 7.5A
 Voltage Rating: 300V
 Contact Resistance: 5mΩ Max
 Dielectric Withstanding Voltage :1000V AC r.m.s.
 Insulation Resistance: 5000 MΩ Min.
 Temperature Range-Operating: -55°C ~ +105°C

THIRD ANGLE PROJECTION	GENERAL TOLERANCES (UNLESS SPECIFIED)		APPROVE BY FRANK	DATE 28/JUN/13	PART NO. FDM3701-FODB1XXXXX	ITEM NO. FDM3701-FO	 Leader Of Industry
	DESIGN UNITS Inch (metric)	X.±.012(0.30) X.X±.008(0.20) X.XX±.006(0.15) X.XXX±.004(0.10)	X.'±5' X.'±2' .XX'±1' .XXX'±0.5'	CHECKED BY JACOB	DATE 28/JUN/13	TITLE Machined pin D-SUB connector 90° Angle Female	
SCALE 5:1	SIZE A4	DRAWN BY CHERRY		DATE 28/JUN/13	THIS DRAWING CONTAINS INFORMATION THAT IS PROPRIETARY TO TXGA INDUSTRIAL ELECTRONICS(S.Z)CO.,LTD AND SHOULD NOT BE USED WITHOUT WRITTEN PERMISSION		

REV 0 SHEET NO. 1/1

1 2 3 4 5 6 7 8

REV	LOCATIONS	DESCRIPTION	DATE	REVISER	APPD



Recommended P.C.Board Layout

Ordering Information

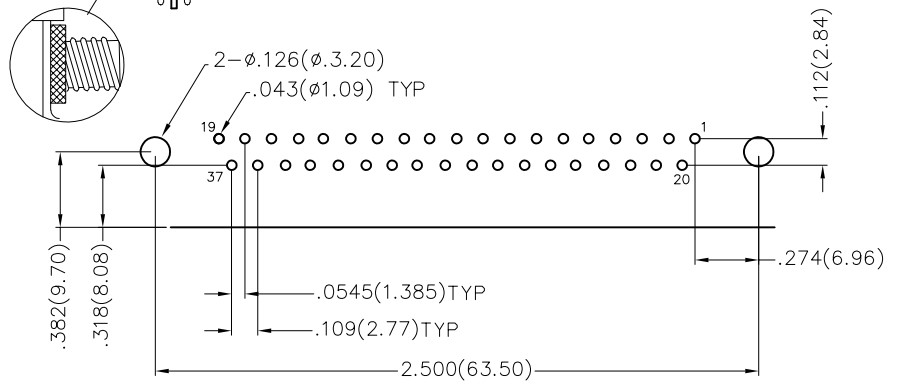
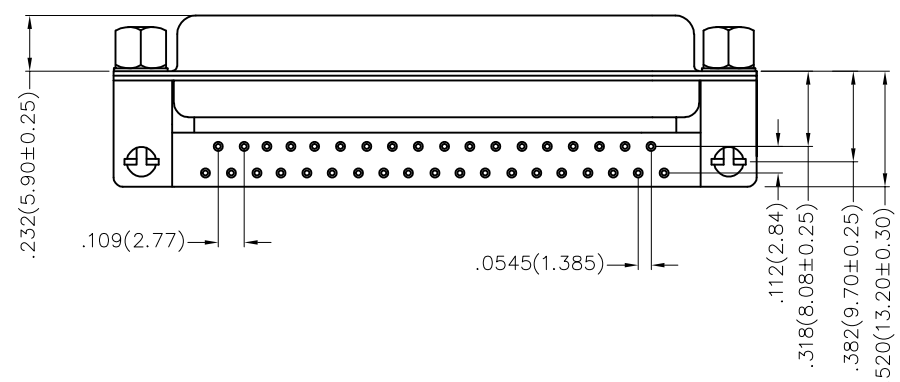
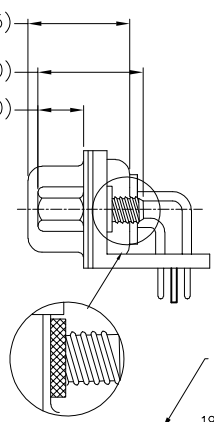
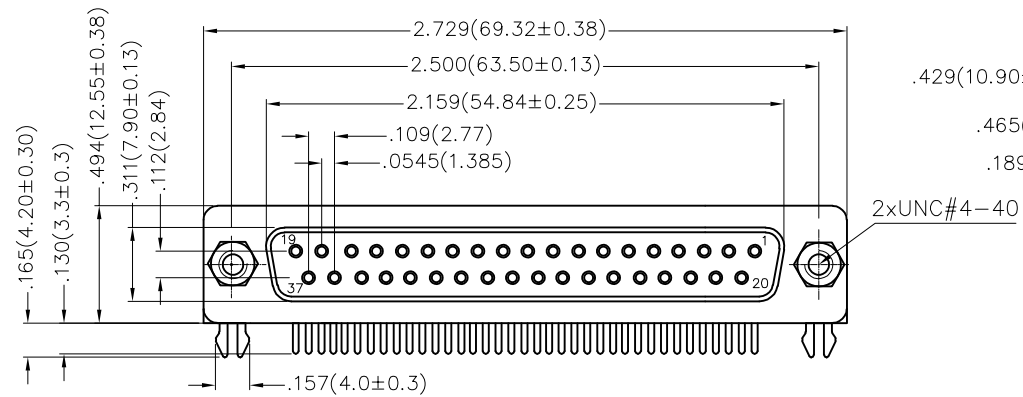
FDM 37 01 — FO D B 1 XX XX X B
 1 2 3 4 5 6 7 8 9 10 11

1 Category FDM—Machined pin D—SUB connector	2 Circuits 37	3 Distinction No. 01	4 Type FO—Female	5 Assembly Layout D—DIP	6 Entry Angle B—90° Angle
7 Plating 1—Gold Plated	8 Thickness of Plating 01—1μ" 03—3μ" Custom plate available	9 Color—Resin W1—White K6—Black	10 Packaging K—Tray L—Tube	11 Distinction Type B—B Type	

Materials And Finish
 Shell: Spcc Material, Front Nickel Plated 80μ" Min
 Back Shell Tin Plated 100μ" Min
 Insulator: Glass Filled Thermoplastic, UL 94V-0
 Contact Material: Brass /Gold Plated
Electrical Characteristic
 Current Rating: 7.5A
 Voltage Rating: 300V
 Contact Resistance: 5mΩ Max
 Dielectric Withstanding Voltage : 1000V AC r.m.s
 Insulation Resistance: 5000 MΩ Min.
 Temperature Range—Operating: -55°C ~ +105°C

 THIRD ANGLE PROJECTION DESIGN UNITS Inch (metric) SCALE 5:1 SIZE A4	GENERAL TOLERANCES (UNLESS SPECIFIED)		APPROVE BY FRANK	DATE 28/JUN/13	PART NO. FDM3701—F0DB1XXXXXB	ITEM NO. FDM3701—FO	 Leader Of Industry REV 0 SHEET NO. 1/1 THIS DRAWING CONTAINS INFORMATION THAT IS PROPRIETARY TO TXGA INDUSTRIAL ELECTRONICS(S.Z)CO.,LTD AND SHOULD NOT BE USED WITHOUT WRITTEN PERMISSION
	X.±.012(0.30)	X.±5'	CHECKED BY JACOB	DATE 28/JUN/13	TITLE Machined pin D—SUB connector 90° Angle Female		
	X.XX±.008(0.20)	.X'±2'	DRAWN BY CHERRY	DATE 28/JUN/13			
	X.XX±.006(0.15)	.XX'±1'					
X.XXX±.004(0.10)	.XXX'±0.5'						

REV	LOCATIONS	DESCRIPTION	DATE	REVISER	APPD



Recommended P.C.Board Layout

Ordering Information

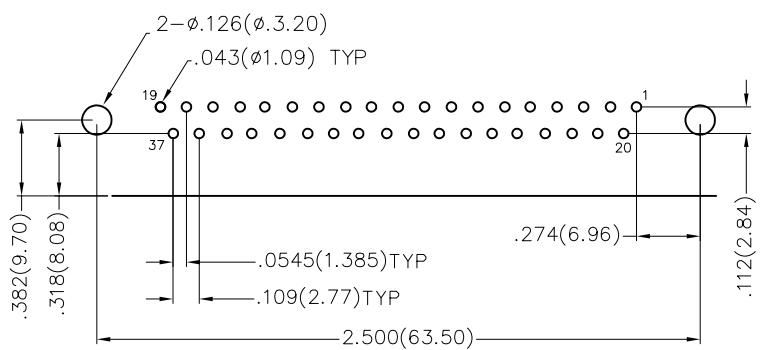
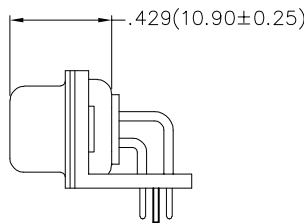
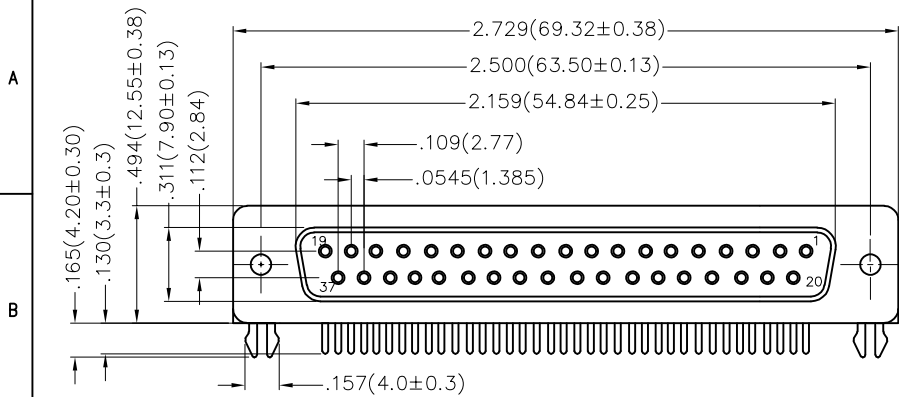
FDM 37 01 — FO D B 1 XX XX X C
 1 2 3 4 5 6 7 8 9 10 11

1 Category FDM—Machined pin D—SUB connector	2 Circuits 37	3 Distinction No. 01	4 Type FO—Female	5 Assembly Layout D—DIP	6 Entry Angle B—90° Angle
7 Plating 1—Gold Plated	8 Thickness of Plating 01—1μ" 03—3μ" Custom plate available	9 Color—Resin W1—White K6—Black	10 Packaging K—Tray L—Tube	11 Distinction Type C—C Type	

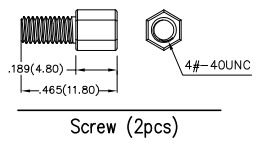
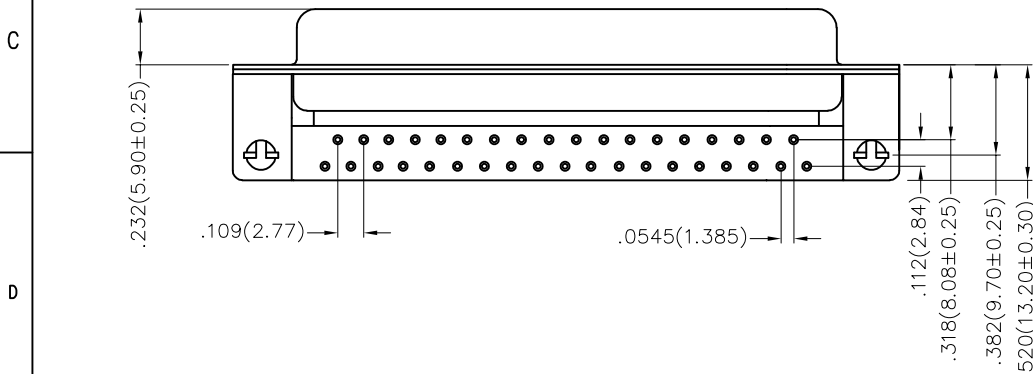
Materials And Finish
 Shell: Spcc Material, Front Nickel Plated 80μ" Min
 Back Shell Tin Plated 100μ" Min
 Insulator: Glass Filled Thermoplastic, UL 94V—0
 Contact Material: Brass /Gold Plated
Electrical Characteristic
 Current Rating: 7.5A
 Voltage Rating: 300V
 Contact Resistance: 5mΩ Max
 Dielectric Withstanding Voltage : 1000V AC r.m.s
 Insulation Resistance: 5000 MΩ Min.
 Temperature Range—Operating: —55°C ~ +105°C

 THIRD ANGLE PROJECTION DESIGN UNITS Inch (metric) SCALE 5:1 SIZE A4	GENERAL TOLERANCES (UNLESS SPECIFIED)		APPROVE BY FRANK	DATE 28/JUN/13	PART NO. FDM3701—FODB1XXXXXC	ITEM NO. FDM3701—FO	 Leader Of Industry REV 0 SHEET NO. 1/1 THIS DRAWING CONTAINS INFORMATION THAT IS PROPRIETARY TO TXGA INDUSTRIAL ELECTRONICS(S.Z)CO.,LTD AND SHOULD NOT BE USED WITHOUT WRITTEN PERMISSION
	X.±.012(0.30)	X.±5'	CHECKED BY JACOB	DATE 28/JUN/13	TITLE Machined pin D—SUB connector 90° Angle Female		
	X.XX±.008(0.20)	.X'±2'	DRAWN BY CHERRY	DATE 28/JUN/13			
	X.XX±.006(0.15)	.XX'±1'					
X.XXX±.004(0.10)	.XXX'±0.5'						

REV	LOCATIONS	DESCRIPTION	DATE	REVISER	APPD



Recommended P.C.Board Layout




Ordering Information

FDM 37 01 - FO D B 1 XX XX X D
 1 2 3 4 5 6 7 8 9 10 11

1	Category	2	Circuits	3	Distinction No.	4	Type	5	Assembly Layout	6	Entry Angle
	FDM-Machined pin D-SUB connector		37		01		FO-Female		D-DIP		B-90° Angle
7	Plating	8	Thickness of Plating	9	Color-Resin	10	Packaging	11	Distinction Type		
	1-Gold Plated		01-1μ" 03-3μ" Custom plate available		W1-White K6-Black		K-Tray L-Tube		D-D Type		

Materials And Finish
 Shell: Spcc Material, Front Nickel Plated 80μ" Min
 Back Shell Tin Plated 100μ" Min
 Insulator: Glass Filled Thermoplastic, UL 94V-0
 Contact Material: Brass /Gold Plated
 Electrical Characteristic
 Current Rating: 7.5A
 Voltage Rating: 300V
 Contact Resistance: 5mΩ Max
 Dielectric Withstanding Voltage : 1000V AC r.m.s
 Insulation Resistance: 5000 MΩ Min.
 Temperature Range-Operating: -55°C ~ +105°C

THIRD ANGLE PROJECTION	GENERAL TOLERANCES (UNLESS SPECIFIED)		APPROVE BY	DATE	PART NO.	ITEM NO.	 Leader Of Industry
	X.±.012(0.30)	X.±5'	FRANK	28/JUN/13	FDM3701-FODB1XXXXXD	FDM3701-FO	
DESIGN UNITS Inch (metric)	X.X±.008(0.20)	.X'±2'	CHECKED BY	DATE	TITLE		
SCALE	X.XX±.006(0.15)	.XX'±1'	JACOB	28/JUN/13	Machined pin D-SUB connector		REV 0
SIZE	X.XXX±.004(0.10)	.XXX'±0.5'	DRAWN BY	DATE	90° Angle Female		SHEET NO. 1/1
5:1			CHERRY	28/JUN/13	THIS DRAWING CONTAINS INFORMATION THAT IS PROPRIETARY TO TXGA INDUSTRIAL ELECTRONICS(S.Z)CO.,LTD AND SHOULD NOT BE USED WITHOUT WRITTEN PERMISSION		