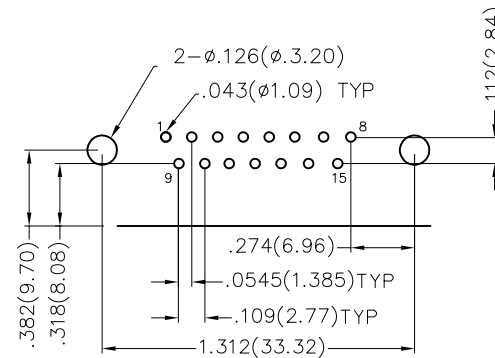
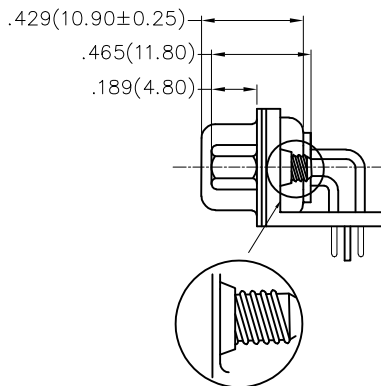
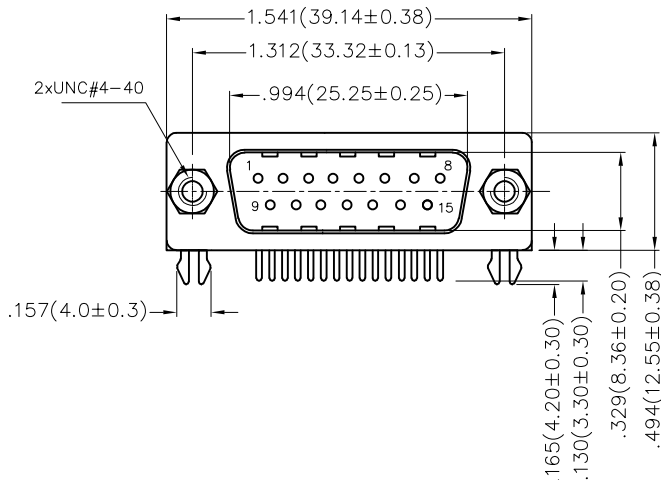
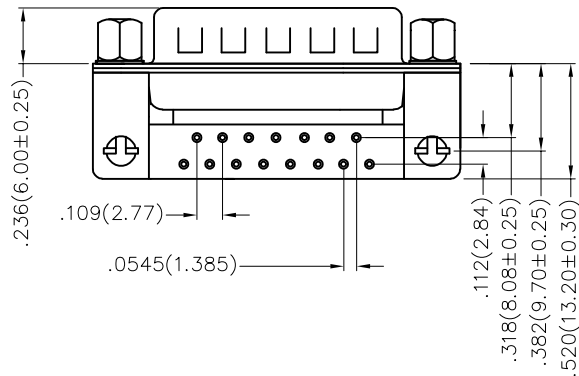


REV	LOCATIONS	DESCRIPTION	DATE	REVISER	APPD



Recommended P.C.Board Layout



Ordering Information

FDM 15 01 — M0 D B 1 XX XX X
 1 2 3 4 5 6 7 8 9 10

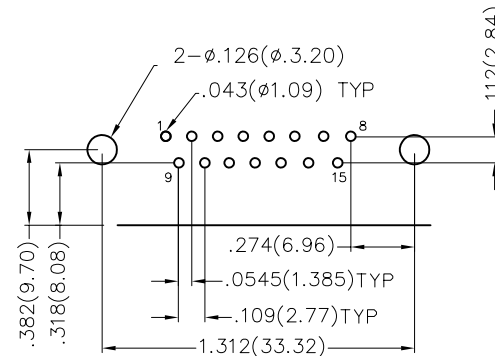
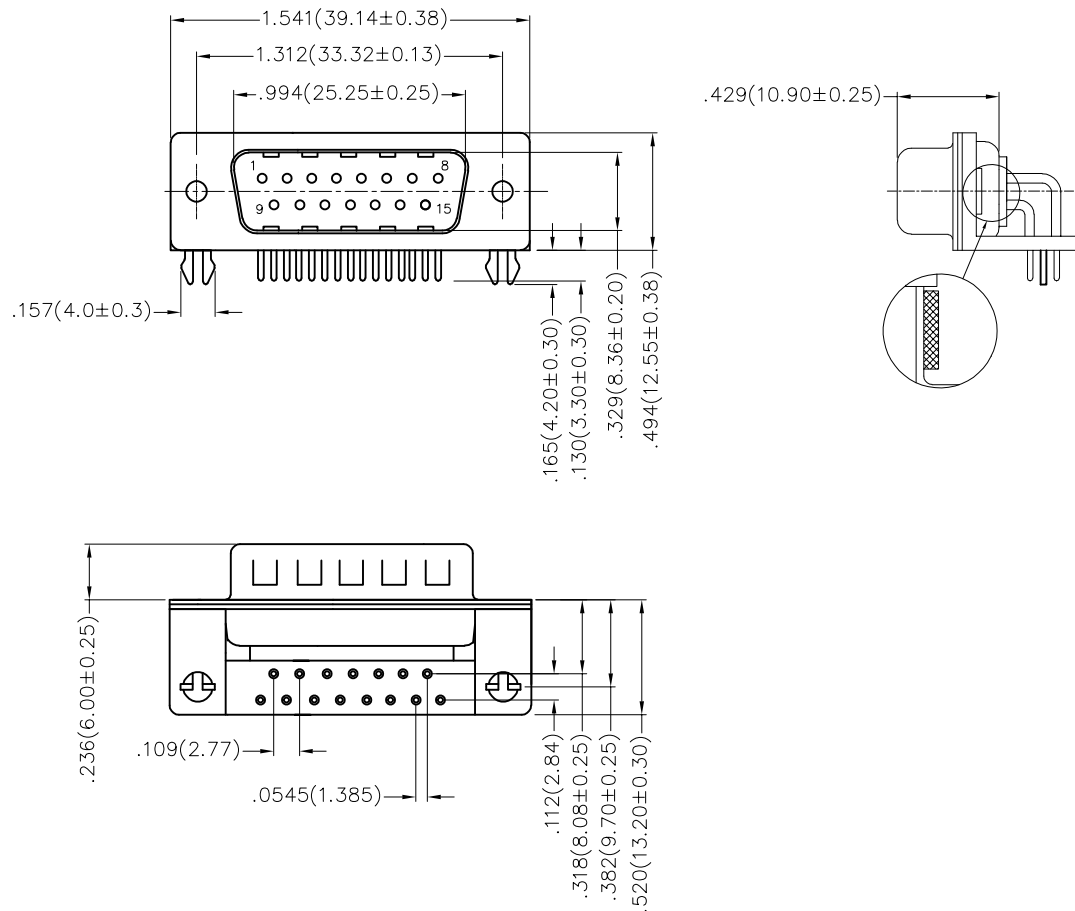
Materials And Finish

Shell: Spcc Material, Front Nickel Plated 80µ" Min
 Back Shell: SPCC, Tin Plated 100µ" Min
 Insulator: Glass Filled Thermoplastic, UL 94V-0
 Contact Material: Brass /Gold Plated
 Electrical Characteristic
 Current Rating: 7.5A
 Voltage Rating: 300V
 Contact Resistance: 5mΩ Max
 Dielectric Withstanding Voltage : 1000V AC r.m.s
 Insulation Resistance: 5000 MΩ Min.
 Temperature Range-Operating: -55°C ~ +105°C

1	Category	2	Circuits	3	Distinction No.	4	Type	5	Assembly Layout	6	Entry Angle
	FDM-Machined pin D-SUB connector		15		01		MO-Male		D-DIP		B-90° Angle
7	Plating	8	Thickness of Plating	9	Color-Resin	10	Packaging				
	1-Gold Plated		01-1µ" 03-3µ" Custom plate available		W1-White K6-Black		K-Tray L-Tube				

 THIRD ANGLE PROJECTION	GENERAL TOLERANCES (UNLESS SPECIFIED)		APPROVE BY FRANK	DATE 28/JUN/13	PART NO. FDM1501-MODB1XXXXX	ITEM NO. FDM1501-MO	 Leader Of Industry	
	DESIGN UNITS Inch (metric)	X.±.012(0.30) .X.X±.008(0.20)	X.±5' .X'±2'	CHECKED BY JACOB	DATE 28/JUN/13	TITLE Machined pin D-SUB connector 90° Angle Male		
	SCALE 5:1	SIZE A4	X.XX±.006(0.15) .XXX±.004(0.10)	DRAWN BY CHERRY	DATE 28/JUN/13	THIS DRAWING CONTAINS INFORMATION THAT IS PROPRIETARY TO TXGA INDUSTRIAL ELECTRONICS(S.Z)CO.,LTD AND SHOULD NOT BE USED WITHOUT WRITTEN PERMISSION		
			X.±5' .XX'±1'			REV 0		SHEET NO. 1/1

REV	LOCATIONS	DESCRIPTION	DATE	REVISER	APPD




Recommended P.C. Board Layout

Ordering Information

FDM 15 01 — M0 D B 1 XX XX X B
 1 2 3 4 5 6 7 8 9 10 11

Materials And Finish
 Shell: Spcc Material, Front Nickel Plated 80μ" Min
 Back Shell: SPCC, Tin Plated 100μ" Min
 Insulator: Glass Filled Thermoplastic, UL 94V-0
 Contact Material: Brass /Gold Plated
 Electrical Characteristic
 Current Rating: 7.5A
 Voltage Rating: 300V
 Contact Resistance: 5mΩ Max
 Dielectric Withstanding Voltage :1000V AC r.m.s
 Insulation Resistance: 5000 MΩ Min.
 Temperature Range—Operating: -55°C ~ +105°C

1	Category	2	Circuits	3	Distinction No.	4	Type	5	Assembly Layout	6	Entry Angle
	FDM—Machined pin D—SUB connector		15		01		MO—Male		D—DIP		B—90° Angle
7	Plating	8	Thickness of Plating	9	Color—Resin	10	Packaging	11	Distinction Type		
	1—Gold Plated		01—1μ" 03—3μ" Custom plate available		W1—White K6—Black		K—Tray L—Tube		B—B Type		

THIRD ANGLE PROJECTION	GENERAL TOLERANCES (UNLESS SPECIFIED)		APPROVE BY	DATE	PART NO.	ITEM NO.	 Leader Of Industry
	X ± .012 (0.30)	X ± .5°	FRANK	28/JUN/13	FDM1501—MODB1XXXXXB	FDM1501—M0	
DESIGN UNITS Inch (metric)	X.X ± .008 (0.20)	.X' ± 2'	CHECKED BY	DATE	TITLE		THIS DRAWING CONTAINS INFORMATION THAT IS PROPRIETARY TO TXGA INDUSTRIAL ELECTRONICS(S.Z)CO.,LTD AND SHOULD NOT BE USED WITHOUT WRITTEN PERMISSION
SCALE	X.XX ± .006 (0.15)	.XX' ± 1'	JACOB	28/JUN/13	Machined pin D—SUB connector 90° Angle Male		
SIZE	X.XXX ± .004 (0.10)	.XXX' ± 0.5'	DRAWN BY	DATE			REV 0
5:1			CHERRY	28/JUN/13			SHEET NO. 1/1

REV	LOCATIONS	DESCRIPTION	DATE	REVISER	APPD

A

B

C

D

E

F

A

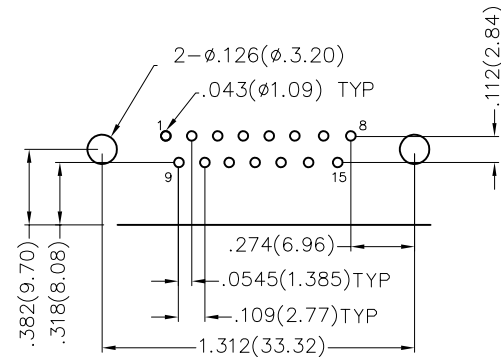
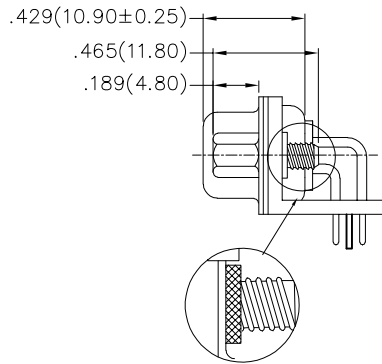
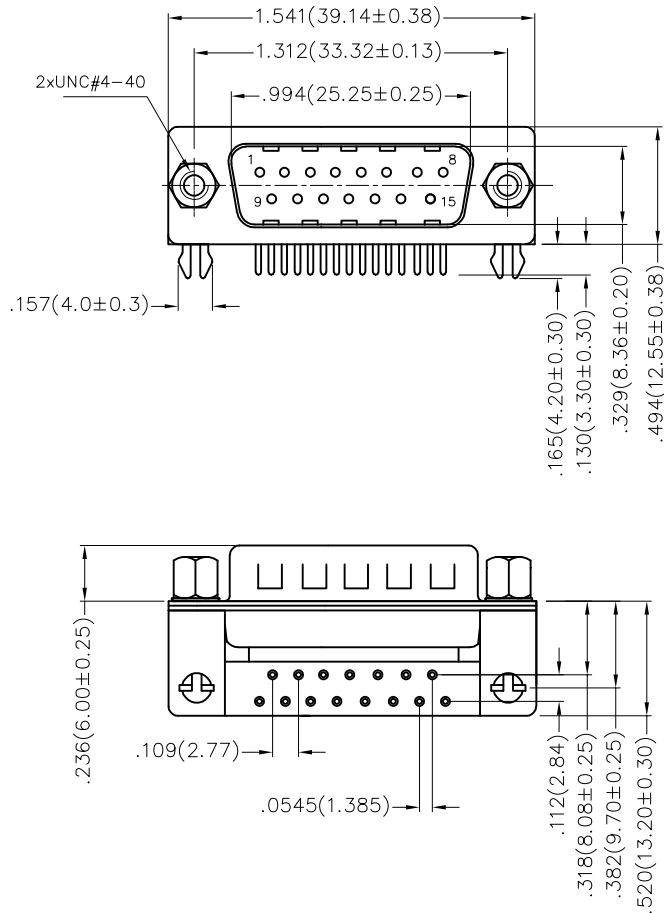
B

C

D

E

F



Recommended P.C.Board Layout

Ordering Information

FDM 15 01 — M0 D B 1 XX XX X C
 1 2 3 4 5 6 7 8 9 10 11

Materials And Finish

Shell: Spcc Material, Front Nickel Plated 80μ" Min
 Back Shell: SPCC, Tin Plated 100μ" Min
 Insulator: Glass Filled Thermoplastic, UL 94V-0
 Contact Material: Brass /Gold Plated
 Electrical Characteristic
 Current Rating: 7.5A
 Voltage Rating: 300V
 Contact Resistance: 5mΩ Max
 Dielectric Withstanding Voltage :1000V AC r.m.s
 Insulation Resistance: 5000 MΩ Min.
 Temperature Range-Operating: -55°C ~ +105°C

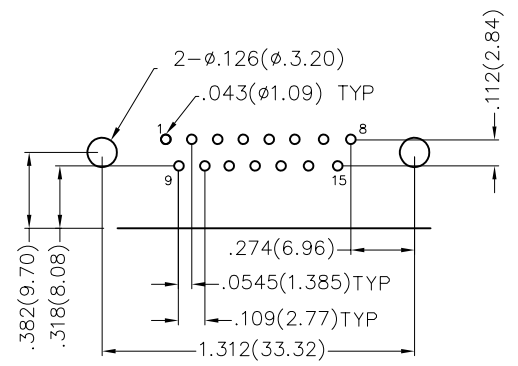
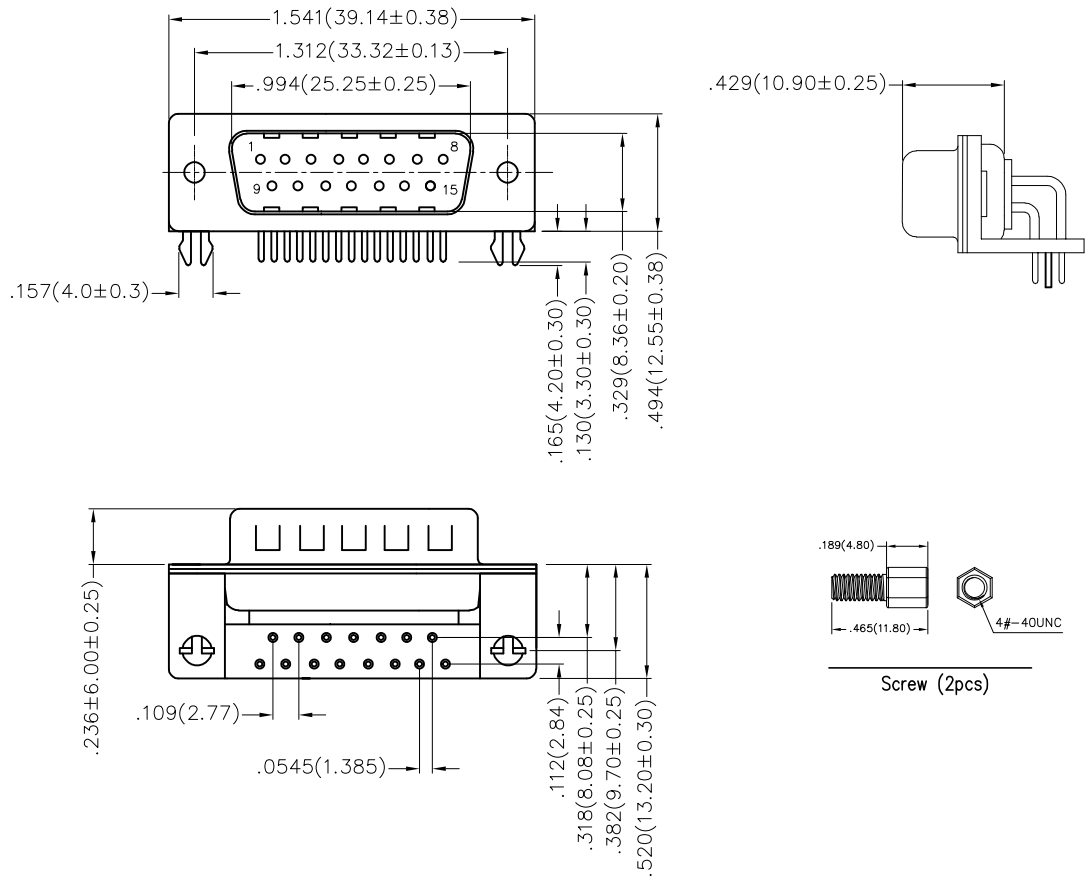
1	Category	2	Circuits	3	Distinction No.	4	Type	5	Assembly Layout	6	Entry Angle
	FDM-Machined pin D-SUB connector		15		01		MO-Male		D-DIP		B-90° Angle
7	Plating	8	Thickness of Plating	9	Color-Resin	10	Packaging	11	Distinction Type		
	1-Gold Plated		01-1μ" 03-3μ" Custom plate available		W1-White K6-Black		K-Tray L-Tube		C-C Type		

 THIRD ANGLE PROJECTION	GENERAL TOLERANCES (UNLESS SPECIFIED)		APPROVE BY FRANK	DATE 28/JUN/13	PART NO. FDM1501-MO	ITEM NO. FDM1501-MO	 Leader Of Industry
	X.±.012(0.30)	X.±5'	CHECKED BY JACOB	DATE 28/JUN/13	TITLE Machined pin D-SUB connector 90° Angle Male	REV 0	
DESIGN UNITS Inch (metric)	X.X±.008(0.20)	.X'±2'	DRAWN BY CHERRY	DATE 28/JUN/13	THIS DRAWING CONTAINS INFORMATION THAT IS PROPRIETARY TO TXGA INDUSTRIAL ELECTRONICS(S.Z)CO.,LTD AND SHOULD NOT BE USED WITHOUT WRITTEN PERMISSION		
SCALE 5:1	SIZE A4	X.XX±.006(0.15)					
		X.XXX±.004(0.10)					

REV	LOCATIONS	DESCRIPTION	DATE	REVISER	APPD

A
B
C
D
E
F

A
B
C
D
E
F



Recommended P.C. Board Layout

Ordering Information

FDM 15 01 — M0 D B 1 XX XX X D
 1 2 3 4 5 6 7 8 9 10 11

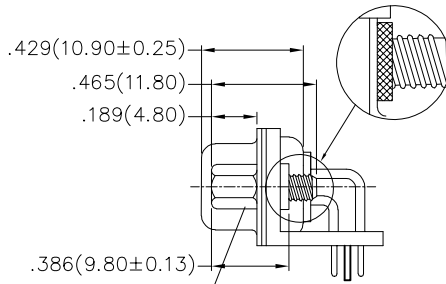
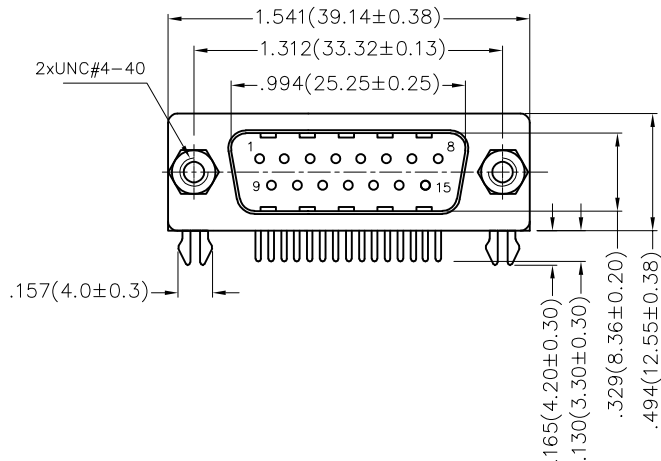
Materials And Finish
 Shell: Spcc Material, Front Nickel Plated 80μ" Min
 Back Shell: SPCC, Tin Plated 100μ" Min
 Insulator: Glass Filled Thermoplastic, UL 94V-0
 Contact Material: Brass /Gold Plated
 Electrical Characteristic
 Current Rating: 7.5A
 Voltage Rating: 300V
 Contact Resistance: 5mΩ Max
 Dielectric Withstanding Voltage : 1000V AC r.m.s
 Insulation Resistance: 5000 MΩ Min.
 Temperature Range-Operating: -55°C ~ +105°C

1	Category	2	Circuits	3	Distinction No.	4	Type	5	Assembly Layout	6	Entry Angle
	FDM-Machined pin D-SUB connector		15		01		MO-Male		D-DIP		B-90° Angle
7	Plating	8	Thickness of Plating	9	Color-Resin	10	Packaging	11	Distinction Type		
	1-Gold Plated		01-1μ" 03-3μ" Custom plate available		W1-White K6-Black		K-Tray L-Tube		D-D Type		

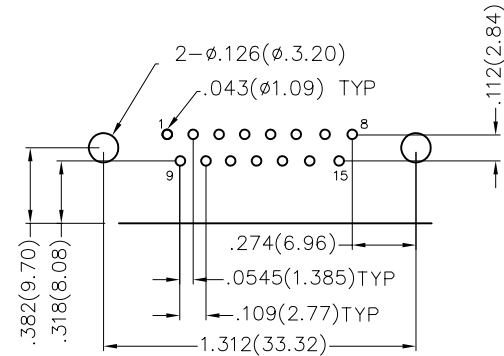
<p>THIRD ANGLE PROJECTION</p>	GENERAL TOLERANCES (UNLESS SPECIFIED)		APPROVE BY	DATE	PART NO.	ITEM NO.	<p>Leader Of Industry</p>	
	X.±.012(0.30)	X.±5'	FRANK	28/JUN/13	FDM1501-MODB1XXXXXD	FDM1501-M0		
	DESIGN UNITS Inch (metric)	X.X±.008(0.20)	X.'±2'	CHECKED BY	DATE	TITLE Machined pin D-SUB connector 90° Angle Male		
	SCALE	X.XX±.006(0.15)	.XX'±1'	JACOB	28/JUN/13	REV 0		SHEET NO. 1/1
SIZE A4	X.XXX±.004(0.10)	.XXX'±0.5'	DRAWN BY	DATE	THIS DRAWING CONTAINS INFORMATION THAT IS PROPRIETARY TO TXGA INDUSTRIAL ELECTRONICS(S.Z)CO.,LTD AND SHOULD NOT BE USED WITHOUT WRITTEN PERMISSION			
5:1			CHERRY	28/JUN/13				

1 2 3 4 5 6 7 8

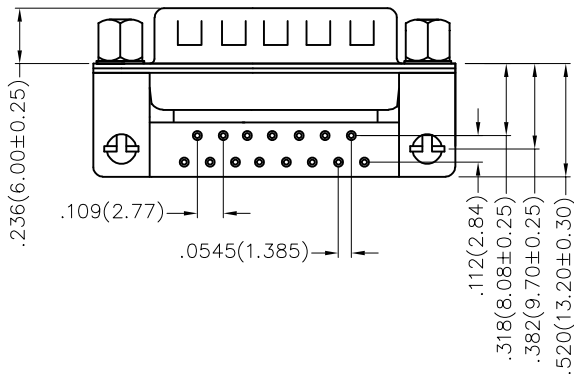
REV	LOCATIONS	DESCRIPTION	DATE	REVISER	APPD



* Notes:
Screws (Part No.: R-6AB-01A)
Salt spray: 48H
Torque force: 6kgf



Recommended P.C. Board Layout




Ordering Information

FDM 15 01 — M0 D B 1 XX XX X E
1 2 3 4 5 6 7 8 9 10 11

Materials And Finish
Shell: Spcc Material, Front Nickel Plated 80µ" Min
Back Shell: SPCC, Tin Plated 100µ" Min
Insulator: Glass Filled Thermoplastic, UL 94V-0
Contact Material: Brass /Gold Plated
Electrical Characteristic
Current Rating: 7.5A
Voltage Rating: 300V
Contact Resistance: 5mΩ Max
Dielectric Withstanding Voltage :1000V AC r.m.s
Insulation Resistance: 5000 MΩ Min.
Temperature Range-Operating: -55°C ~ +105°C

1	Category	2	Circuits	3	Distinction No.	4	Type	5	Assembly Layout	6	Entry Angle
	FDM-Machined pin D-SUB connector		15		01		MO-Male		D-DIP		B-90° Angle
7	Plating	8	Thickness of Plating	9	Color-Resin	10	Packaging	11	Distinction Type		
	1-Gold Plated		01-1µ" 03-3µ" Custom plate available		W1-White K6-Black		K-Tray L-Tube		E-E Type		

THIRD ANGLE PROJECTION	GENERAL TOLERANCES (UNLESS SPECIFIED)		APPROVE BY	DATE	PART NO.	ITEM NO.	 Leader Of Industry
	X.±.012(0.30)	X.±5'	FRANK	28/JUN/13	FDM1501-MO	FDM1501-MO	
DESIGN UNITS Inch (metric)	X.X±.008(0.20)	.X'±2'	CHECKED BY	DATE	TITLE		THIS DRAWING CONTAINS INFORMATION THAT IS PROPRIETARY TO TXGA INDUSTRIAL ELECTRONICS(S.Z)CO.,LTD AND SHOULD NOT BE USED WITHOUT WRITTEN PERMISSION
SCALE 5:1	X.XX±.006(0.15)	.XX'±1'	JACOB	28/JUN/13	Machined pin D-SUB connector 90° Angle Male		
SIZE A4	X.XXX±.004(0.10)	.XXX'±0.5'	DRAWN BY	DATE			REV 0
			CHERRY	28/JUN/13			SHEET NO. 1/1