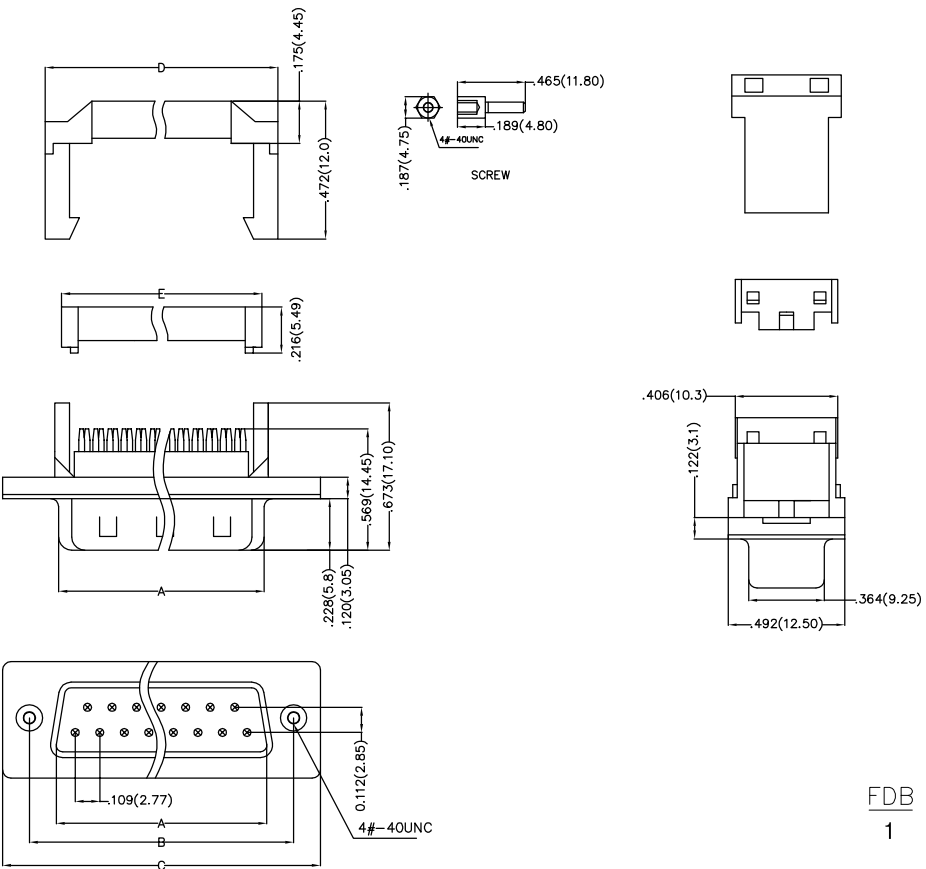


REV	LOCATIONS	DESCRIPTION	DATE	REVISER	APPD



Pin	Dimensions(in./mm)				
	A	B	C	D	E
9	0.669(17.00)	0.984(25.00)	1.216(30.80)	0.727(18.42)	0.591(15.01)
15	1.000(25.40)	1.311(33.31)	1.540(39.11)	1.029(26.14)	0.918(23.32)
25	1.534(38.96)	1.852(47.04)	2.088(53.04)	1.588(40.34)	1.475(37.47)
37	2.182(55.42)	2.500(63.50)	2.738(69.55)	2.226(56.54)	2.105(53.47)

Ordering Information

FDB B 01 - XX M0 S 3 XX XX K
 1 2 3 4 5 6 7 8 9 10

1	Series Name FDB- D-SUB	2	Assembly Layout B-Bump	3	Distinction No. 01	4	No. of pins 09,15,25,37	5	Type Male-M0
6	Entry Type S-Top Entry Type	7	Plating 3-Half Gold/Tin	8	Thickness of Plating Gold Plating-00 3u"-03..... Custom Plate Available	9	Plastic Colour K6-Black U1-Blue	10	Packaging K-PE Tray

SPECIFICATIONS

- Electrical
- 1.Current Rating: 3A AC(rms)/DC
 - 2.Voltage Rating: 250V AC(rms)/DC
 - 3.Contact Resistance: 25 mΩ Max
 - 4.Insulation Resistance: 1000 MΩ MIN
 - 5.Withstanding Voltage: 500V AC r.m.s
 - 6.Temperature Range-Operating: -55°C~+105°C

Material and Finish

- 1.Housing: PBT UL 94V-0
- 2.Contact: Copper Alloy/Gold Flash Plated On Contact Area Tin Plated On Soldertails, Nickel Under Plated Over All/Gold Plated Options
- 3.Shell: Spcc/Nickel Plated Over All
- 4.Screws: Copper Alloy/Nickel Plated Over All

<p>THIRD ANGLE PROJECTION</p>	GENERAL TOLERANCES (UNLESS SPECIFIED)		APPROVE BY FRANK	DATE 28/JUN/13	PART NO. FDBB01-XXMOS3XXXXX	ITEM NO. FDBB01	<p>Leader Of Industry</p>
	X.±.012(0.30)	X.±5'	CHECKED BY JACOB	DATE 28/JUN/13	TITLE D-SUB MALE BUMP TYPE CONN		
	X.XX±.008(0.20)	.X'±2'	DRAWN BY CHERRY	DATE 28/JUN/13	REV 0 SHEET NO. 1/1		
	X.XX±.006(0.15)	.XX'±1'	THIS DRAWING CONTAINS INFORMATION THAT IS PROPRIETARY TO TXGA INDUSTRIAL ELECTRONICS(S.Z)CO.,LTD AND SHOULD NOT BE USED WITHOUT WRITTEN PERMISSION				
SCALE 5:1	SIZE A4	X.XXX±.004(0.10)	.XXX'±0.5'				